

## Sequential Linear LED Driver

### Features

- Minimal Component Count  
(Base Configuration: CL8801 + Four Resistors + Diode Bridge)
- No Magnetics, No Capacitors
- Up to 7.5W Output (13W with Heat Sink)
- >110 Lm/W using Efficient LEDs
- 85% Typical Electrical Efficiency
- >0.95 Power Factor
- <30% THD Line Current
- Low Conducted EMI without Filters
- 85% LED Luminous Utilization
- Phase Dimmer Compatible with an RC Network

### Applications

- Fluorescent Tube Retrofit
- Incandescent and CFL Bulb Replacement
- General LED Lighting

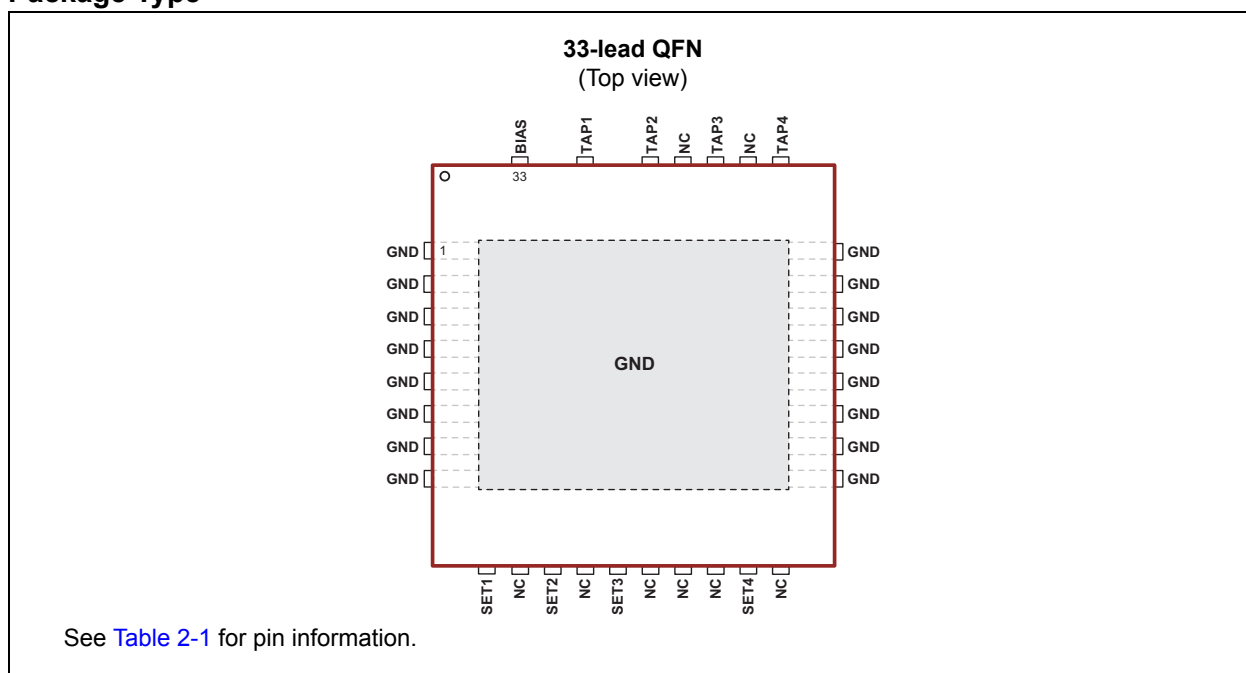
### General Description

The CL8801 is designed to drive a long string of inexpensive, low-current LEDs directly from the AC mains. A basic driver circuit consists of CL8801, four resistors and a bridge rectifier. Two to four additional components are optional for various levels of transient protection. No capacitors, EMI filters or power factor correction circuits are needed.

A string of series/parallel LEDs is tapped at four locations. Four linear current regulators sink current at each tap and are sequentially turned on and off, thereby tracking the input sine wave voltage. Voltage across each regulator is minimized when conducting, providing high efficiency. Output current at each tap is individually resistor-adjustable. Cross-regulation, as the CL8801 switches from one regulator to another, provides smooth transitions. The current waveform can be tailored to optimize for input voltage range, line/load regulation, output power/current, efficiency, power factor, THD, dimmer compatibility and LED utilization.

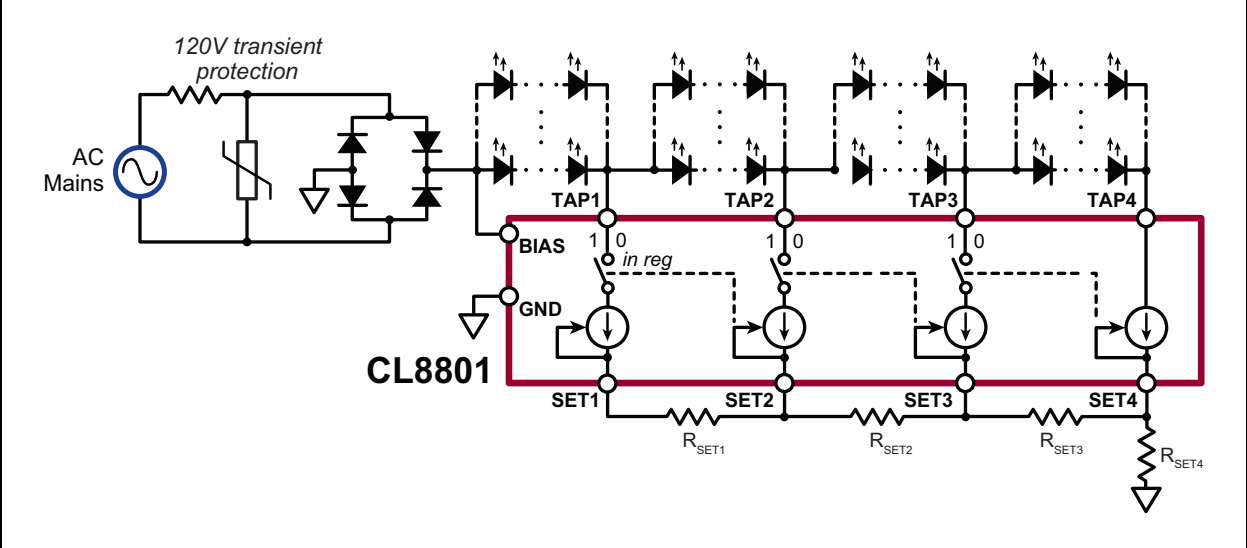
With the addition of an RC network, the driver is compatible with phase dimming.

### Package Type

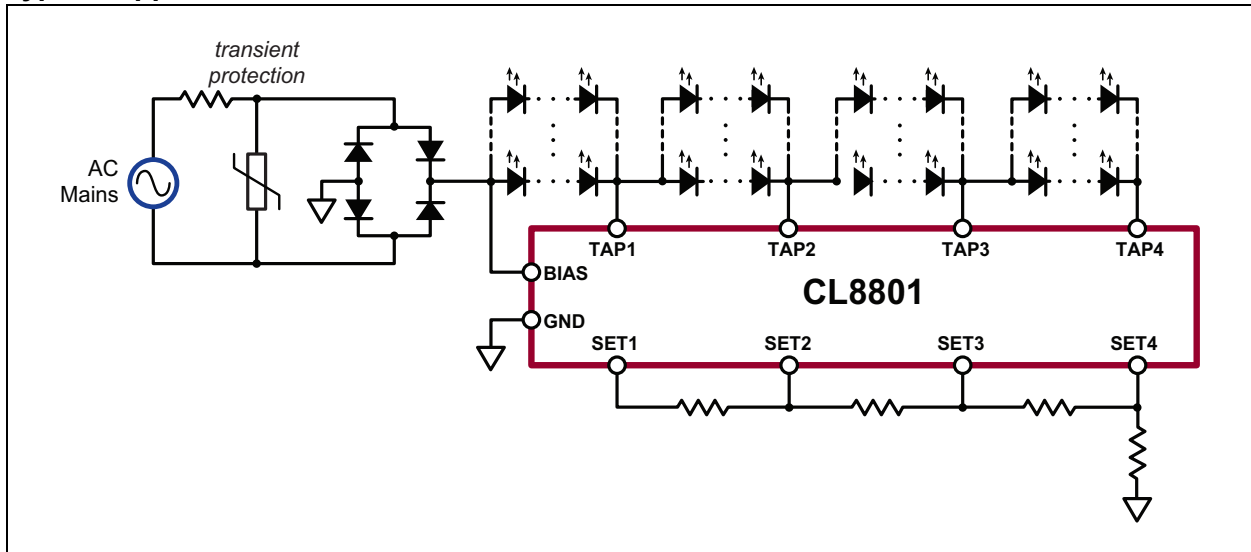


# CL8801

## Functional Block Diagram



## Typical Application Circuit



# CL8801

## 1.0 ELECTRICAL CHARACTERISTICS

### Absolute Maximum Ratings†

$V_{BIAS}, V_{TAP1}$ .....	-0.5V to +550V
$V_{TAP2-4}$ .....	-0.5V to +320V
$V_{SET1-4}$ .....	4V
Operating Junction Temperature, $T_J$ .....	-55°C to +125°C
Storage Temperature, $T_S$ .....	-65°C to +150°C

† **Notice:** Stresses above those listed under “Absolute Maximum Ratings” may cause permanent damage to the device. This is a stress rating only, and functional operation of the device at those or any other conditions above those indicated in the operational sections of this specification is not intended. Exposure to maximum rating conditions for extended periods may affect device reliability.

### RECOMMENDED OPERATING CONDITIONS

Electrical Specifications: All voltages with respect to GND pin							
Parameter	Sym.	Min.	Typ.	Max.	Unit	Conditions	
Output Current	TAP1	$I_{OUT}$	—	—	60	mA	
	TAP2		—	—	90		
	TAP3		—	—	200		
	TAP4		—	—	200		
Output Voltage	TAP1	$V_{OUT}$	—	—	400	V	Non-conducting
	TAP2–4		—	—	300		Non-conducting
	TAP1–4		—	—	Note 1		Conducting
Applied BIAS Voltage	$V_{BIAS}$	—	—	440	V		

**Note 1:** Voltage capability is determined by power dissipation ( $V \times I$ ).

### ELECTRICAL CHARACTERISTICS

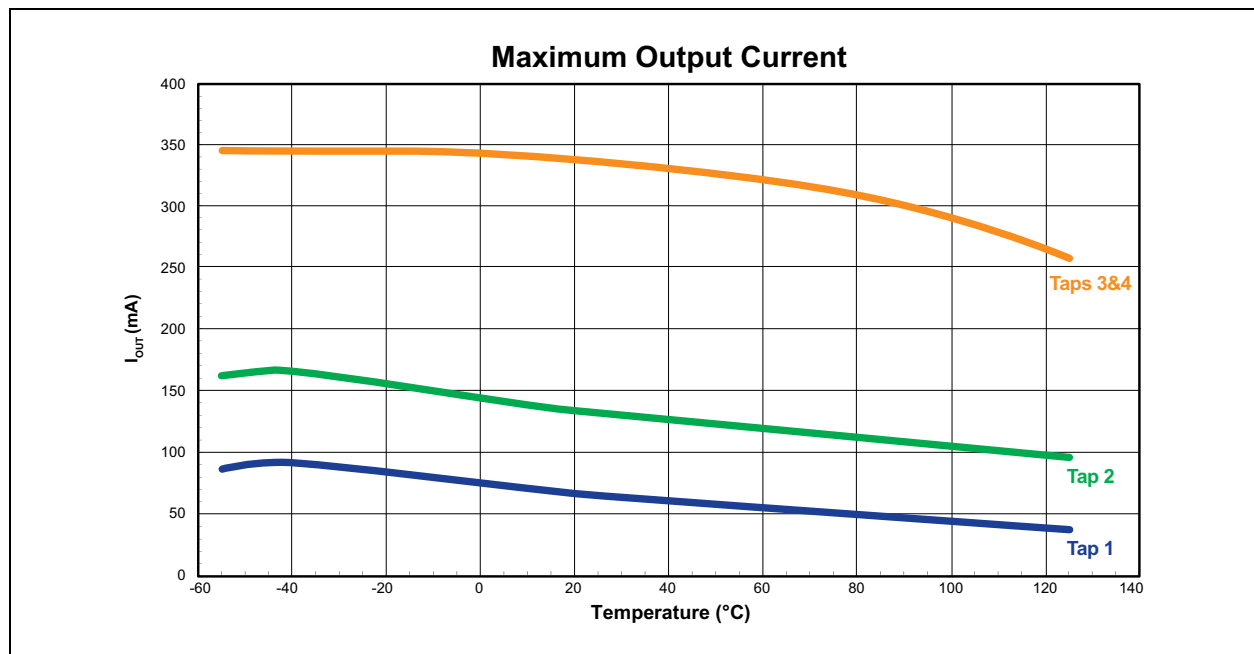
Electrical Specifications: Over recommended operating conditions at 25°C unless noted otherwise							
Parameter	Sym.	Min.	Typ.	Max.	Unit	Conditions	
BIAS Pin Input Current	$I_{BIAS}$	—	250	410	$\mu A$	$V_{BIAS} = 170V$	
Output Current, On	TAP1	$I_{TAP(ON)}$	60	—	—	mA	$V_{TAP1} = 30V, V_{SET1-4} = GND$
	TAP2		90	—	—		$V_{TAP2} = 17V, V_{SET1-4} = GND$
	TAP3		200	—	—		$V_{TAP3} = 17V, V_{SET1-4} = GND$
	TAP4		200	—	—		$V_{TAP4} = 17V, V_{SET1-4} = GND$
Output Current, Off	$I_{TAP(OFF)}$	—	0	10	$\mu A$	Tap 1–3, $V_{BIAS} = 170V$	
Regulation Voltage at SET Pins	SET1–3	$V_{REG}$	1.8	2	2.2	V	
	SET4		1.89	2.1	2.31	V	

## TEMPERATURE SPECIFICATIONS

Parameter	Sym.	Min.	Typ.	Max.	Unit	Conditions
<b>TEMPERATURE RANGE</b>						
Operating Junction Temperature	$T_J$	-55	—	+125	°C	
Storage Temperature	$T_S$	-65	—	+150	°C	
<b>PACKAGE THERMAL RESISTANCE</b>						
33-Lead QFN	$\theta_{JA}$	—	24	—	°C/W	Note 1
	$\theta_{JC}$	—	2.5	—	°C/W	Note 2

**Note 1:** One oz Cu four-layer board, 3 x 4-inch PCB with thermal pad and thermal via array

**2:** Junction to exposed heat slug



**FIGURE 1-1:** Output Current Thermal Characteristics.

# CL8801

## 2.0 PIN DESCRIPTION

The details on the pins of CL8801 are listed in [Table 2-1](#). Refer to [Package Type](#) for the location of pins. The high-voltage pins are located on one side of the package and are arranged from lowest to highest voltage. Pin-to-pin voltage gradients are minimized.

**TABLE 2-1: PIN FUNCTION TABLE**

Pin Number	Pin Name	Description
1–8	GND	Circuit common. (Used for heat sink ground plane.)
9	SET1	Current sense for linear current regulators for each tap. Resistors on these pins set the tap currents.
10	NC	No internal connection
11	SET2	Current sense for linear current regulators for each tap. Resistors on these pins set the tap currents.
12	NC	No internal connection
13	SET3	Current sense for linear current regulators for each tap. Resistors on these pins set the tap currents.
14	NC	No internal connection
15	NC	No internal connection
16	NC	No internal connection
17	SET4	Current sense for linear current regulators for each tap. Resistors on these pins set the tap currents.
18	NC	No internal connection
19, 20	GND	Circuit common. (Used for heat sink ground plane.)
21	GND	Circuit common. (Used for heat sink ground plane.) Connect to bridge rectifier return.
22–26	GND	Circuit common. (Used for heat sink ground plane.)
27	TAP4	Current regulator outputs. Connect to taps along the LED string.
28	NC	No internal connection
29	TAP3	Current regulator outputs. Connect to taps along the LED string.
30	NC	No internal connection
31	TAP2	Current regulator outputs. Connect to taps along the LED string.
32	TAP1	Current regulator outputs. Connect to taps along the LED string.
33	BIAS	Provides bias for driver. Connect to rectified AC.
Underside Plate (GND)		For heat sinking purposes, it should be soldered to a 4 cm <sup>2</sup> exposed copper area. It should also be electrically connected to circuit common (GND).

## 3.0 APPLICATION INFORMATION

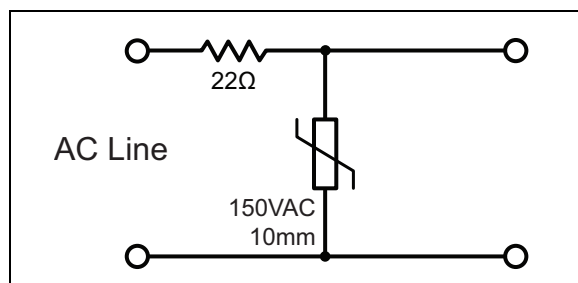
### 3.1 Overview

Designing a driver to meet particular requirements may be a difficult task considering the 16 design variables: tap current (4), number of series-connected LEDs per segment (4), and the number of parallel-connected LEDs per segment (4). Manually selecting values will provide light, but the chosen values may be far from optimal with regard to efficiency, LED utilization and line regulation.

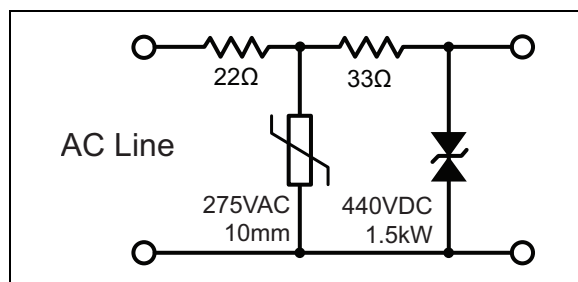
In addition to configuring the driver, several circuits may be employed to increase reliability, performance and cost. The following sections briefly describe these circuits. For additional information and design assistance, contact your nearest Microchip field applications engineer.

### 3.2 Transient Protection

The driver circuits have no need for capacitors that could otherwise absorb transient energy nor is there a need for EMI filters that would block transients. Therefore, the full burden of transient protection is borne by the protection circuit. (See [Figure 3-1.](#)) The two-stage approach in the following schematics provides 2.5 kV protection, both pulse and ring per EN 61000-4-5 and EN 61000-4-12, six hits each. (See [Figure 3-2.](#))



**FIGURE 3-1:** 100 VAC to 120 VAC Transient Protection.



**FIGURE 3-2:** 230 VAC Transient Protection.

### 3.3 Zener Diode Substitution

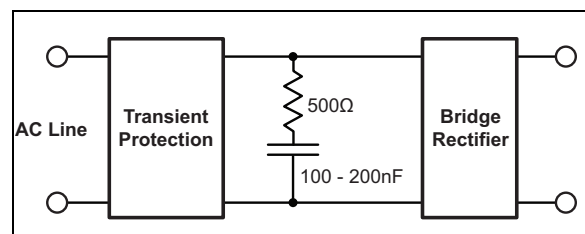
Zener diodes may be substituted for LEDs in the bottom stages of the design. The last one or two stages of LEDs contribute little to the light output—they are mainly present to offload the adjacent upstream regulator at high line voltages to minimize losses. The advantages of Zener substitution include minimizing unlit LEDs at low line for better light uniformity, better line regulation at high line, fewer LEDs for lower cost and less PCB area and fewer board-to-board connections. Disadvantages include slightly reduced efficiency at high line and additional heat load on the driver board.

### 3.4 Phase Dimming

As with any light load, the LED lamp might not draw enough current to ensure proper dimmer operation. This is especially true for 230 VAC dimmers. Triodes for Alternating Current (TRIAC) used in dimmers require a minimum latching current when triggered to place the TRIAC in the latched-on state. Once latched, a minimum holding current is required to maintain the TRIAC in the ON state. Latching current is many times greater than the holding current and is the main concern with dimmer compatibility.

Higher latching current can be provided by a simple series RC network across the AC line. A short time constant provides a current spike at the turn-on edge. (See [Figure 3-3.](#))

Less common is inadequate holding current. The minimum dimmer holding current is typically 10 mA to 20 mA. Tap1 at 60 mA (maximum) exceeds the minimum.



**FIGURE 3-3:** Phase Dimming.

### 3.5 Power Boost

Higher output power can be achieved by offloading a portion of the power dissipation from the CL8801 to external Field-Effect Transistors (FETs). The circuit in [Figure 3-4](#) drops most of the tap voltage across the FETs, thereby shifting the bulk of the dissipation to the FETs.

# CL8801

## 3.6 Strobing

Twice per AC line cycle the line voltage crosses zero volts, during which time there is no light output.

The circuit in Figure 3-5 can provide 5% to 10% valley fill. It has little effect on input current wave shape (THD, PF) and efficiency. This circuit is intended to prevent the output from reaching zero. It will not significantly reduce output ripple.

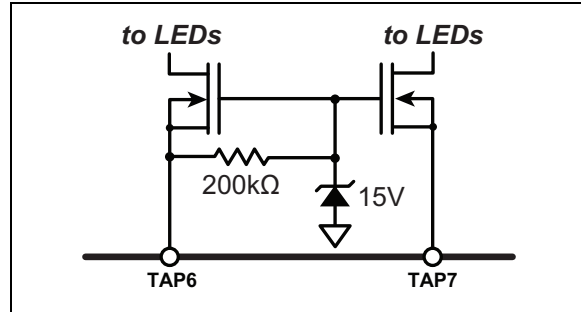


FIGURE 3-4: Power Boost.

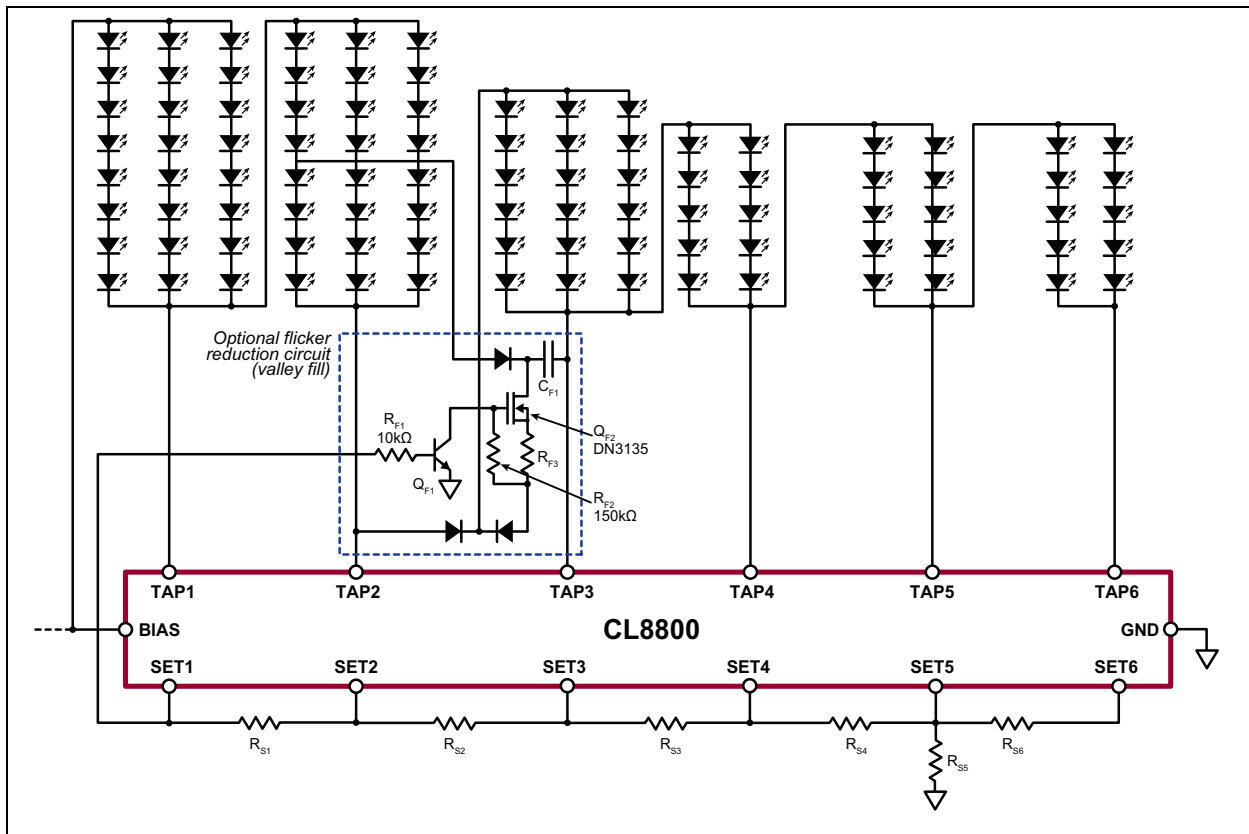


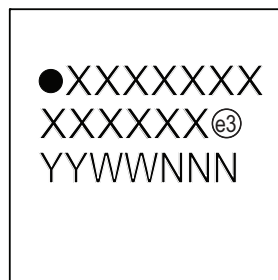
FIGURE 3-5: Valley Fill Circuit.



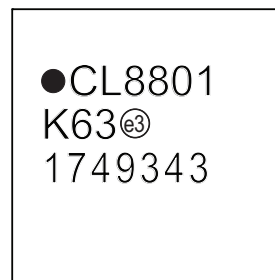
## 4.0 PACKAGING INFORMATION

### 4.1 Package Marking Information

33-lead QFN



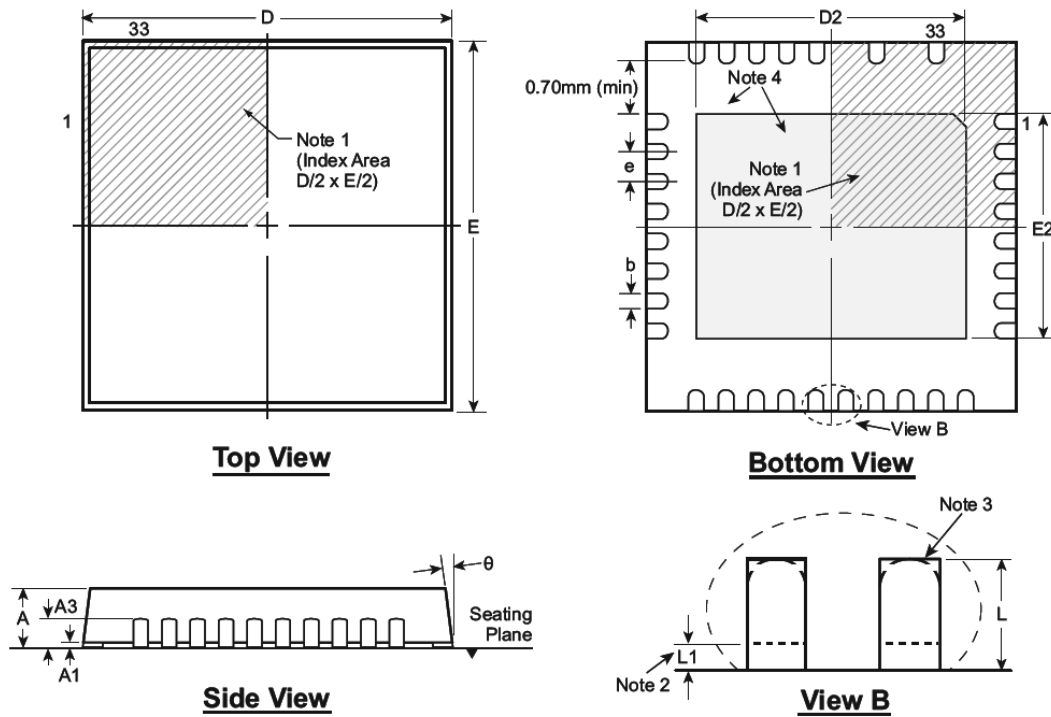
Example



<b>Legend:</b>	XX...X	Product Code or Customer-specific information
	Y	Year code (last digit of calendar year)
	YY	Year code (last 2 digits of calendar year)
	WW	Week code (week of January 1 is week '01')
	NNN	Alphanumeric traceability code
	(e3)	Pb-free JEDEC <sup>®</sup> designator for Matte Tin (Sn)
	*	This package is Pb-free. The Pb-free JEDEC designator (e3) can be found on the outer packaging for this package.

**Note:** In the event the full Microchip part number cannot be marked on one line, it will be carried over to the next line, thus limiting the number of available characters for product code or customer-specific information. Package may or may not include the corporate logo.

## 33-Lead QFN Package Outline (K6) 6.00x6.00mm body, 1.00mm height (max), 0.50mm pitch



Note: For the most current package drawings, see the Microchip Packaging Specification at [www.microchip.com/packaging](http://www.microchip.com/packaging).

**Notes:**

1. A Pin 1 identifier must be located in the index area indicated. The Pin 1 identifier can be: a molded mark/identifier; an embedded metal marker; or a printed indicator.
2. Depending on the method of manufacturing, a maximum of 0.15mm pullback (L1) may be present.
3. The inner tip of the lead may be either rounded or square.
4. There will be an exposed DAP. A minimum of 0.7mm spacing will be maintained between the leads and the DAP.

Symbol	A	A1	A3	b	D	D2	E	E2	e	L	L1	$\theta^\circ$	
Dimension (mm)	MIN	0.80	0.00	0.20 REF	0.18	5.85	4.00	5.85	3.60	0.50 BSC	0.30	0.00	0
	NOM	0.90	0.02		0.25	6.00	4.15	6.00	3.75		0.40	-	-
	MAX	1.00	0.05		0.30	6.15	4.25	6.15	3.85		0.50	0.15	14

Drawings not to scale.

## APPENDIX A: REVISION HISTORY

### Revision A (February 2017)

- Converted Supertex Doc# DSFP-CL8801 to Microchip DS20005601A
- Changed the quantity of the K6 M935 package from 2000/Reel to 3000/Reel
- Made minor text changes throughout the document

# CL8801

## PRODUCT IDENTIFICATION SYSTEM

To order or obtain information, e.g., on pricing or delivery, contact your local Microchip representative or sales office.

<u>PART NO.</u>	<u>XX</u>	-	<u>X</u>	-	<u>X</u>
Device	Package Options		Environmental		Media Type
Device:	CL8801	=	Sequential Linear LED Driver (Base Configuration: CL8801 + 4 Resistors + Diode Bridge)		
Package:	K6(3)	=	33-lead (6 x 6) QFN		
Environmental:	G	=	Lead (Pb)-free/RoHS-compliant Package		
Media Types:	(blank)	=	490/Tray for a K6 Package		
	M935	=	3000/Reel for a K6 Package		

<b>Examples:</b>	
a) CL8801K63-G:	Sequential Linear LED Driver (Base Configuration: CL8801 + 4 Resistors + Diode Bridge), 33-lead QFN Package, 490/Tray
b) CL8801K63-G-M935:	Sequential Linear LED Driver (Base Configuration: CL8801 + 4 Resistors + Diode Bridge), 33-lead QFN Package, 3000/Reel

---

---

**Note the following details of the code protection feature on Microchip devices:**

- Microchip products meet the specification contained in their particular Microchip Data Sheet.
- Microchip believes that its family of products is one of the most secure families of its kind on the market today, when used in the intended manner and under normal conditions.
- There are dishonest and possibly illegal methods used to breach the code protection feature. All of these methods, to our knowledge, require using the Microchip products in a manner outside the operating specifications contained in Microchip's Data Sheets. Most likely, the person doing so is engaged in theft of intellectual property.
- Microchip is willing to work with the customer who is concerned about the integrity of their code.
- Neither Microchip nor any other semiconductor manufacturer can guarantee the security of their code. Code protection does not mean that we are guaranteeing the product as “unbreakable.”

Code protection is constantly evolving. We at Microchip are committed to continuously improving the code protection features of our products. Attempts to break Microchip's code protection feature may be a violation of the Digital Millennium Copyright Act. If such acts allow unauthorized access to your software or other copyrighted work, you may have a right to sue for relief under that Act.

---

Information contained in this publication regarding device applications and the like is provided only for your convenience and may be superseded by updates. It is your responsibility to ensure that your application meets with your specifications. MICROCHIP MAKES NO REPRESENTATIONS OR WARRANTIES OF ANY KIND WHETHER EXPRESS OR IMPLIED, WRITTEN OR ORAL, STATUTORY OR OTHERWISE, RELATED TO THE INFORMATION, INCLUDING BUT NOT LIMITED TO ITS CONDITION, QUALITY, PERFORMANCE, MERCHANTABILITY OR FITNESS FOR PURPOSE. Microchip disclaims all liability arising from this information and its use. Use of Microchip devices in life support and/or safety applications is entirely at the buyer's risk, and the buyer agrees to defend, indemnify and hold harmless Microchip from any and all damages, claims, suits, or expenses resulting from such use. No licenses are conveyed, implicitly or otherwise, under any Microchip intellectual property rights unless otherwise stated.

*Microchip received ISO/TS-16949:2009 certification for its worldwide headquarters, design and wafer fabrication facilities in Chandler and Tempe, Arizona; Gresham, Oregon and design centers in California and India. The Company's quality system processes and procedures are for its PIC® MCUs and dsPIC® DSCs, KEELOQ® code hopping devices, Serial EEPROMs, microperipherals, nonvolatile memory and analog products. In addition, Microchip's quality system for the design and manufacture of development systems is ISO 9001:2000 certified.*

**QUALITY MANAGEMENT SYSTEM  
CERTIFIED BY DNV  
= ISO/TS 16949 =**

### Trademarks

The Microchip name and logo, the Microchip logo, AnyRate, AVR, AVR logo, AVR Freaks, BeaconThings, BitCloud, CryptoMemory, CryptoRF, dsPIC, FlashFlex, flexPWR, Heldo, JukeBlox, KEELOQ, KEELOQ logo, Klear, LANCheck, LINK MD, maXStylus, maXTouch, MediaLB, megaAVR, MOST, MOST logo, MPLAB, OptoLyzer, PIC, picoPower, PICSTART, PIC32 logo, Prochip Designer, QTouch, RightTouch, SAM-BA, SpyNIC, SST, SST Logo, SuperFlash, tinyAVR, UNI/O, and XMEGA are registered trademarks of Microchip Technology Incorporated in the U.S.A. and other countries.

ClockWorks, The Embedded Control Solutions Company, EtherSynch, Hyper Speed Control, HyperLight Load, IntelliMOS, mTouch, Precision Edge, and Quiet-Wire are registered trademarks of Microchip Technology Incorporated in the U.S.A.

Adjacent Key Suppression, AKS, Analog-for-the-Digital Age, Any Capacitor, AnyIn, AnyOut, BodyCom, chipKIT, chipKIT logo, CodeGuard, CryptoAuthentication, CryptoCompanion, CryptoController, dsPICDEM, dsPICDEM.net, Dynamic Average Matching, DAM, ECAN, EtherGREEN, In-Circuit Serial Programming, ICSP, Inter-Chip Connectivity, JitterBlocker, KlearNet, KlearNet logo, Mindi, MiWi, motorBench, MPASM, MPF, MPLAB Certified logo, MPLIB, MPLINK, MultiTRAK, NetDetach, Omniscient Code Generation, PICDEM, PICDEM.net, PICKit, PICTail, PureSilicon, QMatrix, RightTouch logo, REAL ICE, Ripple Blocker, SAM-ICE, Serial Quad I/O, SMART-I.S., SQI, SuperSwitcher, SuperSwitcher II, Total Endurance, TSHARC, USBCheck, VariSense, ViewSpan, WiperLock, Wireless DNA, and ZENA are trademarks of Microchip Technology Incorporated in the U.S.A. and other countries.

SQTP is a service mark of Microchip Technology Incorporated in the U.S.A.

Silicon Storage Technology is a registered trademark of Microchip Technology Inc. in other countries.

GestIC is a registered trademark of Microchip Technology Germany II GmbH & Co. KG, a subsidiary of Microchip Technology Inc., in other countries.

All other trademarks mentioned herein are property of their respective companies.

© 2017, Microchip Technology Incorporated, All Rights Reserved.  
ISBN: 978-1-5224-1384-4



# MICROCHIP

## Worldwide Sales and Service

### AMERICAS

#### Corporate Office

2355 West Chandler Blvd.  
Chandler, AZ 85224-6199  
Tel: 480-792-7200  
Fax: 480-792-7277  
Technical Support:  
<http://www.microchip.com/support>

Web Address:  
[www.microchip.com](http://www.microchip.com)

#### Atlanta

Duluth, GA  
Tel: 678-957-9614  
Fax: 678-957-1455

#### Austin, TX

Tel: 512-257-3370

#### Boston

Westborough, MA  
Tel: 774-760-0087  
Fax: 774-760-0088

#### Chicago

Itasca, IL  
Tel: 630-285-0071  
Fax: 630-285-0075

#### Dallas

Addison, TX  
Tel: 972-818-7423  
Fax: 972-818-2924

#### Detroit

Novi, MI  
Tel: 248-848-4000

#### Houston, TX

Tel: 281-894-5983

#### Indianapolis

Noblesville, IN  
Tel: 317-773-8323  
Fax: 317-773-5453  
Tel: 317-536-2380

#### Los Angeles

Mission Viejo, CA  
Tel: 949-462-9523  
Fax: 949-462-9608  
Tel: 951-273-7800

#### Raleigh, NC

Tel: 919-844-7510

#### New York, NY

Tel: 631-435-6000

#### San Jose, CA

Tel: 408-735-9110  
Tel: 408-436-4270

#### Canada - Toronto

Tel: 905-695-1980  
Fax: 905-695-2078

### ASIA/PACIFIC

#### Asia Pacific Office

Suites 3707-14, 37th Floor  
Tower 6, The Gateway  
Harbour City, Kowloon

#### Hong Kong

Tel: 852-2943-5100  
Fax: 852-2401-3431

#### Australia - Sydney

Tel: 61-2-9868-6733  
Fax: 61-2-9868-6755

#### China - Beijing

Tel: 86-10-8569-7000  
Fax: 86-10-8528-2104

#### China - Chengdu

Tel: 86-28-8665-5511  
Fax: 86-28-8665-7889

#### China - Chongqing

Tel: 86-23-8980-9588  
Fax: 86-23-8980-9500

#### China - Dongguan

Tel: 86-769-8702-9880

#### China - Guangzhou

Tel: 86-20-8755-8029

#### China - Hangzhou

Tel: 86-571-8792-8115  
Fax: 86-571-8792-8116

#### China - Hong Kong SAR

Tel: 852-2943-5100  
Fax: 852-2401-3431

#### China - Nanjing

Tel: 86-25-8473-2460  
Fax: 86-25-8473-2470

#### China - Qingdao

Tel: 86-532-8502-7355  
Fax: 86-532-8502-7205

#### China - Shanghai

Tel: 86-21-3326-8000  
Fax: 86-21-3326-8021

#### China - Shenyang

Tel: 86-24-2334-2829  
Fax: 86-24-2334-2393

#### China - Shenzhen

Tel: 86-755-8864-2200  
Fax: 86-755-8203-1760

#### China - Wuhan

Tel: 86-27-5980-5300  
Fax: 86-27-5980-5118

#### China - Xian

Tel: 86-29-8833-7252  
Fax: 86-29-8833-7256

### ASIA/PACIFIC

#### China - Xiamen

Tel: 86-592-2388138  
Fax: 86-592-2388130

#### China - Zhuhai

Tel: 86-756-3210040  
Fax: 86-756-3210049

#### India - Bangalore

Tel: 91-80-3090-4444  
Fax: 91-80-3090-4123

#### India - New Delhi

Tel: 91-11-4160-8631  
Fax: 91-11-4160-8632

#### India - Pune

Tel: 91-20-3019-1500

#### Japan - Osaka

Tel: 81-6-6152-7160  
Fax: 81-6-6152-9310

#### Japan - Tokyo

Tel: 81-3-6880-3770  
Fax: 81-3-6880-3771

#### Korea - Daegu

Tel: 82-53-744-4301  
Fax: 82-53-744-4302

#### Korea - Seoul

Tel: 82-2-554-7200  
Fax: 82-2-558-5932 or  
82-2-558-5934

#### Malaysia - Kuala Lumpur

Tel: 60-3-6201-9857  
Fax: 60-3-6201-9859

#### Malaysia - Penang

Tel: 60-4-227-8870  
Fax: 60-4-227-4068

#### Philippines - Manila

Tel: 63-2-634-9065  
Fax: 63-2-634-9069

#### Singapore

Tel: 65-6334-8870  
Fax: 65-6334-8850

#### Taiwan - Hsin Chu

Tel: 886-3-5778-366  
Fax: 886-3-5770-955

#### Taiwan - Kaohsiung

Tel: 886-7-213-7830

#### Taiwan - Taipei

Tel: 886-2-2508-8600  
Fax: 886-2-2508-0102

#### Thailand - Bangkok

Tel: 66-2-694-1351  
Fax: 66-2-694-1350

### EUROPE

#### Austria - Wels

Tel: 43-7242-2244-39  
Fax: 43-7242-2244-393

#### Denmark - Copenhagen

Tel: 45-4450-2828  
Fax: 45-4485-2829

#### Finland - Espoo

Tel: 358-9-4520-820

#### France - Paris

Tel: 33-1-69-53-63-20  
Fax: 33-1-69-30-90-79

#### France - Saint Cloud

Tel: 33-1-30-60-70-00

#### Germany - Garching

Tel: 49-8931-9700

#### Germany - Haan

Tel: 49-2129-3766400

#### Germany - Heilbronn

Tel: 49-7131-67-3636

#### Germany - Karlsruhe

Tel: 49-721-625370

#### Germany - Munich

Tel: 49-89-627-144-0  
Fax: 49-89-627-144-44

#### Germany - Rosenheim

Tel: 49-8031-354-560

#### Israel - Ra'anana

Tel: 972-9-744-7705

#### Italy - Milan

Tel: 39-0331-742611  
Fax: 39-0331-466781

#### Italy - Padova

Tel: 39-049-7625286

#### Netherlands - Drunen

Tel: 31-416-690399  
Fax: 31-416-690340

#### Norway - Trondheim

Tel: 47-7289-7561

#### Poland - Warsaw

Tel: 48-22-3325737

#### Romania - Bucharest

Tel: 40-21-407-87-50

#### Spain - Madrid

Tel: 34-91-708-08-90  
Fax: 34-91-708-08-91

#### Sweden - Gothenberg

Tel: 46-31-704-60-40

#### Sweden - Stockholm

Tel: 46-8-5090-4654

#### UK - Wokingham

Tel: 44-118-921-5800  
Fax: 44-118-921-5820