



## Main

|                           |                         |
|---------------------------|-------------------------|
| Range of Product          | Harmony XAC             |
| Product or Component Type | Pendant control station |
| Device short name         | XACA                    |

## Complementary

|                                       |   |
|---------------------------------------|---|
| Control station type                  | Double insulated  |
| Enclosure Material                    | Polypropylene   |
| Electrical circuit type               | Control circuit   |
| Enclosure type                        | Complete ready for use  |
| Control station application           | Control of single speed hoist motor   |
| Control station composition           | 8 push-buttons  |
| Control button type                   | First push-button 1 NO raise, slow<br>Second push-button 1 NO lower, slow<br>Fourth push-button 1 NO left, slow<br>Third push-button 1 NO right, slow<br>Fifth push-button 1 NO forward slow<br>Sixth push-button 1 NO reverse, slow<br>Eighth push-button 1 NC O<br>Seventh push-button 1 NO I |
| Product compatibility                 | ZB2BE101 for each direction (except eighth)<br>ZB2BE102 for eighth direction  |
| Mechanical interlocking               | With mechanical interlocking between pairs  |
| Control station colour                | Yellow  |
| Connections - terminals               | Screw clamp terminals, 1 x 0.5...1 x 2.5 mm <sup>2</sup> without cable end<br>Screw clamp terminals, 1 x 0.5...2 x 1.5 mm <sup>2</sup> with cable end   |
| Standards                             | EN/IEC 60947-5-1<br>CSA C22.2 No 14<br>EN/IEC 60204-32<br>UL 508  |
| Product Certifications                | CCC<br>GOST   |
| Protective treatment                  | TH  |
| Ambient air temperature for operation | -13...158 °F (-25...70 °C)  |
| Ambient Air Temperature for Storage   | -40...158 °F (-40...70 °C)  |
| Vibration resistance                  | 15 gn 10...500 Hz)IEC 60068-2-6   |
| Shock resistance                      | 100 gn IEC 60068-2-27   |
| Overtoltage category                  | Class II IEC 61140  |
| IP degree of protection               | IP65 conforming to IEC 60529  |
| IK degree of protection               | IK08 EN 50102   |
| Mechanical durability                 | 1000000 cycles  |
| Cable entry                           | Rubber sleeve with stepped entry 0.31...1.02 in (8...26 mm)   |

|  |   |
|--|---|
| Contact code designation                     | A600 AC-15, Ue = 240 V, Ie = 3 A IEC 60947-5-1 appendix A<br>A600 AC-15, Ue = 600 V, Ie = 1.2 A IEC 60947-5-1 appendix A<br>Q600 DC-13, Ue = 250 V, Ie = 0.27 A IEC 60947-5-1 appendix A<br>Q600 DC-13, Ue = 600 V, Ie = 0.1 A IEC 60947-5-1 appendix A |
| [Ithe] conventional enclosed thermal current | 10 A  |
| [Ui] rated insulation voltage                | 600 V 3)  |
| [Uimp] rated impulse withstand voltage       | 6 kV IEC 60947-1  |
| Contact operation                            | Slow-break  |
| Maximum resistance across terminals          | 25 MOhm   |
| Operating force                              | 10 N push-button<br>8 N eighth push-button  |
| Short-circuit protection                     | 10 A fuse protection cartridge gG   |
| Rated operational power in W                 | 40 W DC-13 1000000 cycles 60 cyc/mn 120 V 0.5 inductive IEC 60947-5-1 appendix C<br>48 W DC-13 1000000 cycles 60 cyc/mn 48 V 0.5 inductive IEC 60947-5-1 appendix C<br>65 W DC-13 1000000 cycles 60 cyc/mn 24 V 0.5 inductive IEC 60947-5-1 appendix C  |
| Terminals description ISO n°1                | (13-14)NO   |
| Terminals description ISO n°2                | (11-12)NC   |
| Terminal identifier                          | (11-12)NC<br>(13-14)NO  |
| Net Weight                                   | 2.07 lb(US) (0.94 kg)   |




## Ordering and shipping details

|                       |                            |
|-----------------------|----------------------------|
| Category              | 22473-PUSHBUTTON, PENDANTS |
| Discount Schedule     | CS2                        |
| GTIN                  | 3389110645125              |
| Nbr. of units in pkg. | 1                          |
| Package weight(Lbs)   | 2.31 lb(US) (1.047 kg)     |
| Returnability         | No                         |
| Country of origin     | MX                         |

## Packing Units

|                              |                          |
|------------------------------|--------------------------|
| Unit Type of Package 1       | PCE                      |
| Package 1 Height             | 3.35 in (8.5 cm)         |
| Package 1 width              | 3.54 in (9 cm)           |
| Package 1 Length             | 22.44 in (57 cm)         |
| Unit Type of Package 2       | P06                      |
| Number of Units in Package 2 | 42                       |
| Package 2 Weight             | 126.72 lb(US) (57.48 kg) |
| Package 2 Height             | 28.94 in (73.5 cm)       |
| Package 2 width              | 23.62 in (60 cm)         |
| Package 2 Length             | 31.50 in (80 cm)         |

## Offer Sustainability

|                            |  |
|----------------------------|--|
| Sustainable offer status   | Green Premium product  |
| California proposition 65  | WARNING: This product can expose you to chemicals including: Nickel compounds, which is known to the State of California to cause cancer, and Di-isodecyl phthalate (DIDP), which is known to the State of California to cause birth defects or other reproductive harm. For more information go to <a href="http://www.P65Warnings.ca.gov">www.P65Warnings.ca.gov</a> |
| REACH Regulation           |  <a href="#">REACH Declaration</a>  |
| REACH free of SVHC         | Yes  |
| EU RoHS Directive          | Pro-active compliance (Product out of EU RoHS legal scope)  <a href="#">EU RoHS Declaration</a>   |
| Toxic heavy metal free     | Yes  |
| Mercury free               | Yes  |
| RoHS exemption information |  Yes  |

---

|                          |  |
|--------------------------|--|
| China RoHS Regulation    | <a href="#">China RoHS Declaration</a>   |
| Environmental Disclosure | <a href="#">Product Environmental Profile</a>  |
| WEEE                     | The product must be disposed on European Union markets following specific waste collection and never end up in rubbish bins. |

---

### Contractual warranty

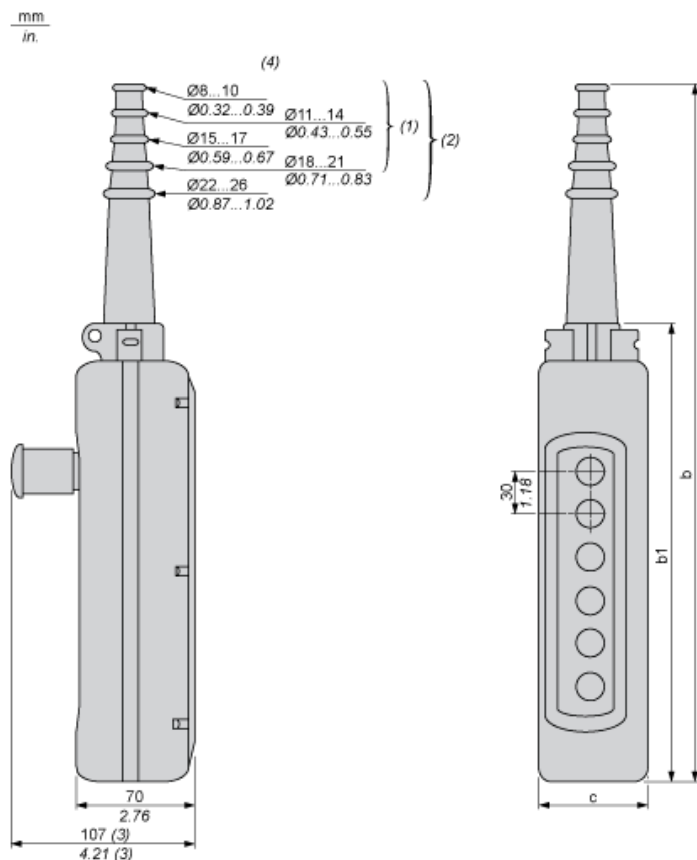
---

|          |           |
|----------|-----------|
| Warranty | 18 months |
|----------|-----------|

---

## Dimensions

Below drawing shows a product with 6 cut-outs. Select the number of cut-outs according to the product characteristics in order to get b, b1 and c dimensions.



- (1) For 2 and 3-way XAC A stations.
- (2) For 4 to 8-way XAC A stations.
- (3) With trigger action Emergency stop head operator
- (4) Internal  $\varnothing$

Dimensions in mm

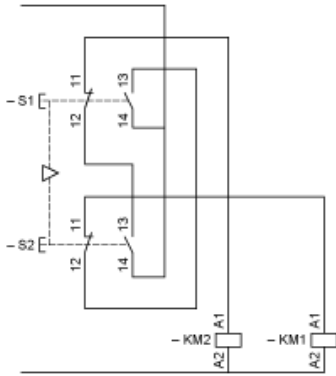
| Number of cut-outs | 2   | 3   | 4   | 5   | 6   | 8   | 12  |
|--------------------|-----|-----|-----|-----|-----|-----|-----|
| b                  | 314 | 314 | 440 | 440 | 500 | 560 | 680 |
| b1                 | 190 | 190 | 250 | 250 | 310 | 370 | 490 |
| c                  | 80  | 80  | 80  | 80  | 80  | 80  | 92  |

Dimensions in in.

| Number of cut-outs | 2     | 3     | 4     | 5     | 6     | 8     | 12    |
|--------------------|-------|-------|-------|-------|-------|-------|-------|
| b                  | 12.36 | 12.36 | 17.32 | 17.32 | 19.68 | 22.05 | 26.77 |
| b1                 | 7.48  | 7.48  | 9.84  | 9.84  | 12.20 | 14.57 | 19.29 |
| c                  | 3.15  | 3.15  | 3.15  | 3.15  | 3.15  | 3.15  | 3.62  |

## Control of Single-Speed Reversing Motor

With ZBE2BE101 + ZB2BE102 contacts blocks, to be ordered separately

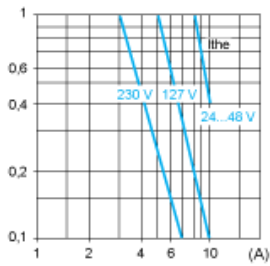


Rated Operational Power

AC Supply 50/60 Hz Inductive Circuit

Operating rate: 3600 operating cycles/hour. Load factor: 0.5.

Millions of operating cycles, AC-15 utilization category



I<sub>the</sub> Thermal current  
(A) Current

DC Supply

Operating rate: 3600 operating cycles/hour. Load factor: 0.5.

Power broken in W for 1 million operating cycles, DC-13 utilization category

| Voltage           | V | 24 | 48 | 120 |
|-------------------|---|----|----|-----|
| Inductive circuit | W | 65 | 48 | 40  |