



Main

| | |
|------------------------------|--|
| Range of Product | Modicon M171/M172 |
| Product or Component Type | Programmable controllers |
| Product Specific Application | HVAC and pumping solution |
| Variant | Programmable |
| Total inputs/outputs | 3 |
| Analogue input number | 1 analog input (NTC board) 1 analog input NTC |

Complementary

| | |
|---------------------------|---|
| Number of port | 1 CAN port - screw terminal block 1 Ethernet - RJ45 Modbus TCP and BACnet IP with webserver) 1 RS485 - screw terminal block Modbus serial link or BACnet MS/TP) 1 |
| Input/output number | 3 analog input |
| Analogue input type | Voltage 0...5 V ratiometric) Current 4...20 mA NTC temperature probe - 50...110 °C 0.1 °C extended) Voltage 0...10 V NTC temperature probe - 40...150 °C 0.1 °C |
| [Us] rated supply voltage | 24 V ±10% AC 48 V DC |
| Power consumption in W | 24 VA 24 V AC 15 W 20...38 V DC |
| Realtime clock | Without -4...149 °F (-20...65 °C) |
| Display type | Without Display |
| Overvoltage category | II |
| Local signalling | without |
| Mounting Support | DIN rail Panel mounting with accessory |
| Width | 2.83 in (72 mm) |
| Height | 4.33 in (110 mm) |
| Depth | 2.38 in (60.5 mm) |
| Net Weight | 0.42 lb(US) (0.19 kg) |

Environment

| | |
|---------------------------------------|--------------------------------------|
| Standards | EN/IEC 60730 |
| Product Certifications | CSA RCM CURus CE EAC |
| Ambient air temperature for operation | -4...149 °F (-20...65 °C) UL 60730-1 |
| Ambient Air Temperature for Storage | -4...185 °F (-20...85 °C) |
| Relative humidity | 10...90 % non-condensing |
| IP degree of protection | IP20 |
| Pollution degree | 2 |

The information provided in this documentation contains general descriptions and/or technical characteristics of the performance of the products contained herein. This documentation is not intended as a substitute for and is not to be used for determining suitability or reliability of these products for specific user applications. It is the duty of any such user or integrator to perform the appropriate and complete risk analysis, evaluation and testing of the products with respect to the relevant specific application or use thereof. Neither Schneider Electric Industries SAS nor any of its affiliates or subsidiaries shall be responsible or liable for misuse of the information contained herein.

Ordering and shipping details

| | |
|-----------------------|------------------------------------|
| Category | 22537-M171 / M172 HVAC CONTROLLERS |
| Discount Schedule | PC12 |
| GTIN | 3606480752858 |
| Nbr. of units in pkg. | 1 |
| Package weight(Lbs) | 12.42 oz (352.0 g) |
| Returnability | No |
| Country of origin | IT |

Packing Units

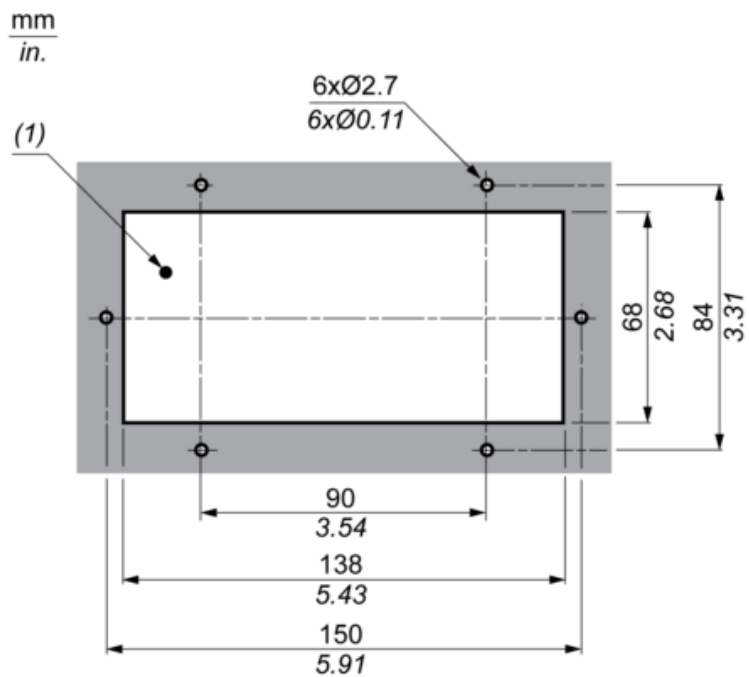
| | |
|------------------------------|------------------------|
| Unit Type of Package 1 | PCE |
| Package 1 Height | 5.12 in (13 cm) |
| Package 1 width | 3.58 in (9.1 cm) |
| Package 1 Length | 7.28 in (18.5 cm) |
| Unit Type of Package 2 | S02 |
| Number of Units in Package 2 | 6 |
| Package 2 Weight | 5.52 lb(US) (2.504 kg) |
| Package 2 Height | 5.91 in (15 cm) |
| Package 2 width | 11.81 in (30 cm) |
| Package 2 Length | 15.75 in (40 cm) |

Offer Sustainability

| | |
|----------------------------|---|
| California proposition 65 | WARNING: This product can expose you to chemicals including: Lead and lead compounds, which is known to the State of California to cause cancer and birth defects or other reproductive harm. For more information go to www.P65Warnings.ca.gov |
| REACH Regulation | REACH Declaration |
| EU RoHS Directive | Pro-active compliance (Product out of EU RoHS legal scope) EU RoHS Declaration |
| Mercury free | Yes |
| RoHS exemption information | Yes |
| China RoHS Regulation | China RoHS Declaration |
| WEEE | The product must be disposed on European Union markets following specific waste collection and never end up in rubbish bins. |

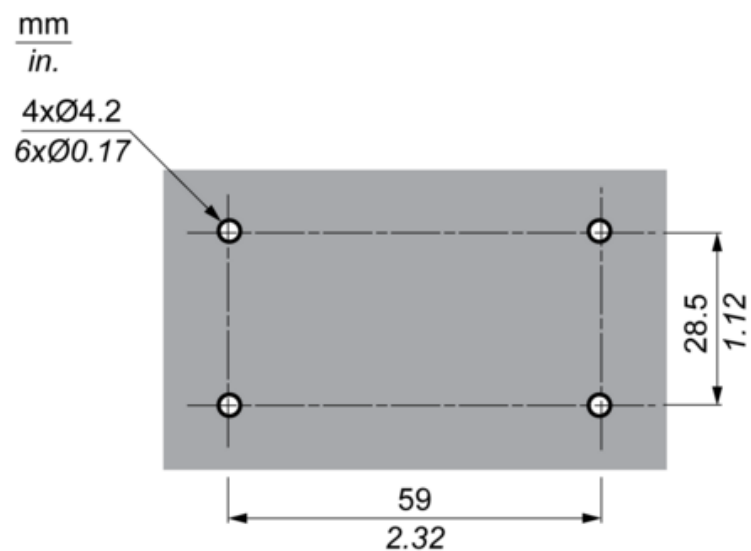
Mounting and Clearance

Panel Mounting

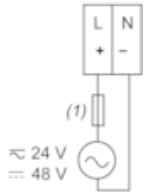


(1) Panel cut out

Wall Mounting

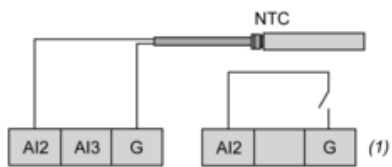


Power Supply



(1) Type T 630 mA fuse

Analog Inputs



(1) Digital input