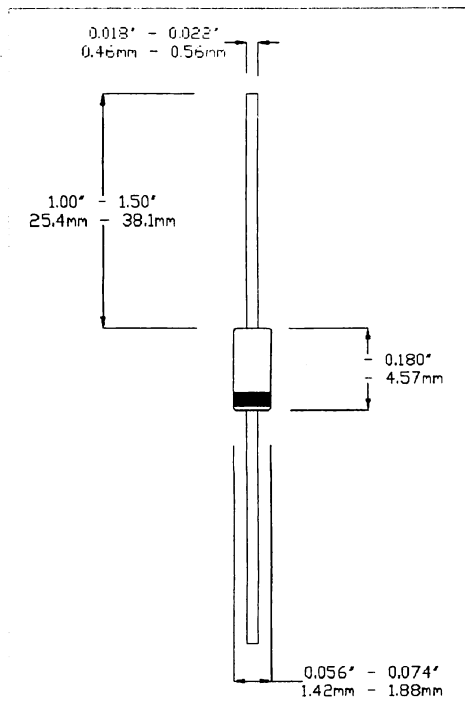


# 1N645-1

## FEATURES

- 1N645-1
- SILICON RECTIFIER
- METALLURGICALLY BONDED
- HERMETICALLY SEALED



## MAXIMUM RATINGS AT 25 °C

Operating Temperature:	-65°C to +175°C
Storage Temperature:	-65°C to +175°C
Surge Current A, sine 8.3mS:	5.0A
Total Power Dissipation:	500mW
Operating Current:	400mA, $T_A = +25^\circ\text{C}$
Operating Current:	150mA, $T_A = +150^\circ\text{C}$
Derating Factor:	2mA/°C above +25°C
Derating Factor:	6mA/°C above +150°C
D.C. Reverse Voltage (VRWM):	225V

## DC ELECTRICAL CHARACTERISTICS

Ambient (°C)	$V_F$			$I_R$			
	$I_F$ mA	Min V	Max V	Ambient (°C)	$V_R$ V (dc)	Min $\mu\text{A}$	Max $\mu\text{A}$
25	400	0.80	1.00	25	225	-	0.050
150	400	0.70	0.95	25	270(ac)	-	50
-55	400	-	1.20	150	225	-	25

## DESIGN DATA

Case: Hermetically sealed glass package  
DO-35 outline

Lead Material: Copper clad steel

Lead Finish: Tin/Lead

Thermal Resistance ( $R_{\theta JL}$ ): 250°C/W maximum  
at  $L = .375"$

Thermal Impedance ( $Z_{\theta JX}$ ): 35°C/W maximum

Marking: Blue body coat, Black digits.

Polarity: Cathode end is banded.

## AC ELECTRICAL CHARACTERISTICS AT 25°C

	Symbol	Min	Max
Capacitance @ $V_R = 4V$	pF	-	20



SOLID STATE INC.

46 FARRAND STREET  
BLOOMFIELD, NEW JERSEY 07003

www.solidstateinc.com