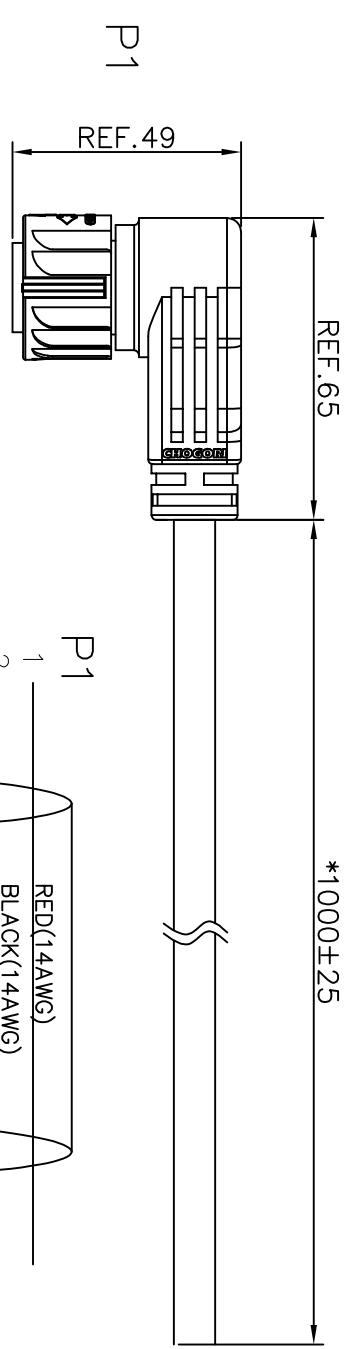


REV.	EON NO.	DATE	SIGN	DESCRIPTION
C1	NA	2022/06/24	Hu	First Version



1	RED(14AWG)
2	BLACK(14AWG)
3	WHITE(14AWG)
4	BLACK/WHITE(24AWG)
5	BLUE(24AWG)
6	PURPLE(24AWG)
7	Brown(24AWG)
8	WHITE(24AWG)
9	LIGHT GREEN(24AWG)
10	GREEN(24AWG)
11	RED/WHITE(24AWG)
12	Brown/WHITE(24AWG)
13	YELLOW(24AWG)
14	GREY(24AWG)
15	PINK(24AWG)
16	ORANGE(24AWG)

OPEN

- SPECIFICATIONS&TEST REQUIREMENTS
1. TEMPERATURE RATING: -40°C~105°C
 2. CURRENT RATING : 3*20A+14*3A
 3. VOLTAGE RATING: 72V DC
 4. INSULATION RESISTANCE: 20MΩ@500V DC, 1MIN
 5. DIELECTRIC WITHSTANDING VOLTAGE: 500V AC, 1MIN
 6. MATING CYCLE: 2000CYCLES.
 7. WATERPROOF RATING: IP67(MATING).
 8. ROHS COMPLIANT.

UNIT: mm	
UNSPECIFIED TOLERANCE	
GB/T 1804-M	

TITLE	Large3+13 Push lock cable assm
SCALE	N/A
SHEET	1 of 1
REV.	C1
SIZE	A4
* Inspection Item	

ITEM NO.	11C03622051601	DRAWN BY	Hu Zhou	DATE	2022/06/24
DWG NO.		CHECKED BY	Zhong Peng	DATE	2022/06/24
CUSTOMER NO.		APPROVED BY	Eric	DATE	2022/06/24

No.	Material No.	Q'ty	Unit	Material Description
2	900-01601-00003 A/R	M		3C*14AWG+(13*24AWG+AL)+P PVC Black
1	24313134-01-001-501	1	PC	Large3+13 Push lock

Material List

