

# PC 5/ 7-ST-7,62 - Printed-circuit board connector



1975639

<https://www.phoenixcontact.com/us/products/1975639>

Please be informed that the data shown in this PDF document is generated from our Online Catalog. Please find the complete data in the user documentation. Our General Terms of Use for Downloads are valid.

PCB connector, color: green, contact surface: Tin, number of positions: 7, product range: PC 5/..-ST, pitch: 7.62 mm



## Commercial Data

Item number	1975639
Packing unit	1 pc
Minimum order quantity	1 pc
Note	Made to Order (non-returnable)
Sales Key	NULL
Product Key	AAD1AD
Catalog Page	Page 378 (CC-2009)
GTIN	4017918971786
Weight per Piece (including packing)	35.4 g
Weight per Piece (excluding packing)	35.4 g
Customs tariff number	85366990
Country of origin	DE

# PC 5/ 7-ST-7,62 - Printed-circuit board connector

1975639

<https://www.phoenixcontact.com/us/products/1975639>

## Technical Data

### Product properties

Type	Standard
Product type	PCB plug
Product family	PC 5/...-ST
Number of positions	7
Pitch	7.62 mm
Mounting flange	without

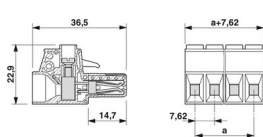
### Electrical properties

Maximum load current	41 A
Rated voltage (II/2)	1000 V
Rated voltage (III/2)	1000 V
Rated surge voltage (II/2)	6 kV
Rated surge voltage (III/2)	8 kV
Rated surge voltage (III/3)	8 kV

### Material specifications

Color	green
Flammability rating according to UL 94	V0
Insulating material group	I
Insulating material	PA
Contact surface	Tin Sn
Contact surface material	Sn

### Dimensions

Dimensional drawing	
Installed height	20 mm
Pitch	7.62 mm

# PC 5/ 7-ST-7,62 - Printed-circuit board connector

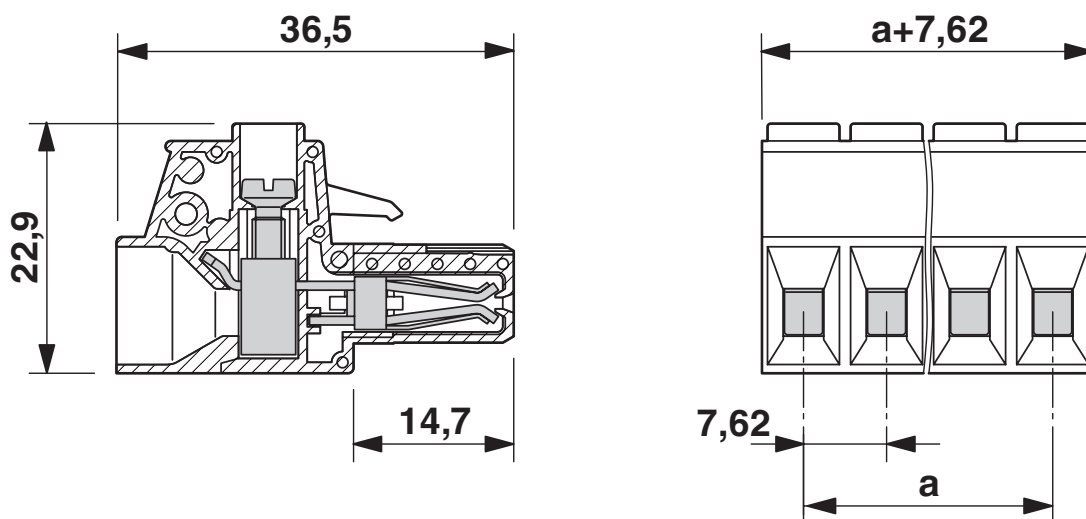


1975639

<https://www.phoenixcontact.com/us/products/1975639>

## Drawings

Dimensional drawing



# PC 5/ 7-ST-7,62 - Printed-circuit board connector



1975639

<https://www.phoenixcontact.com/us/products/1975639>

## Environmental Product Compliance

China RoHS	Environmentally Friendly Use Period = 50 years For information on hazardous substances, refer to the manufacturer's declaration available under "Downloads"
------------	--

# PC 5/ 7-ST-7,62 - Printed-circuit board connector

1975639

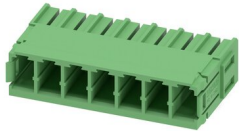
<https://www.phoenixcontact.com/us/products/1975639>

## Accessories

### PC 5/ 7-G-7,62 - PCB header

1720518

<https://www.phoenixcontact.com/us/products/1720518>



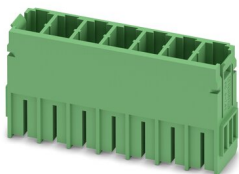
PCB headers, nominal cross section: 6 mm<sup>2</sup>, color: green, nominal current: 41 A, rated voltage (III/2): 630 V, contact surface: Tin, type of contact: Pin, number of potentials: 7, number of rows: 1, number of positions: 7, number of connections: 7, product range: PC 5/...-G, pitch: 7.62 mm, mounting: Wave soldering, pin layout: Linear pinning, solder pin [P]: 5 mm, number of solder pins per potential: 3, plug-in system: COMBICON PC 5, Pin connector pattern alignment: Standard, locking: without, mounting: without, type of packaging: packed in cardboard

---

### PCV 5/ 7-G-7,62 - PCB header

1720628

<https://www.phoenixcontact.com/us/products/1720628>



PCB headers, nominal cross section: 6 mm<sup>2</sup>, color: green, nominal current: 41 A, rated voltage (III/2): 630 V, contact surface: Tin, type of contact: Pin, number of potentials: 7, number of rows: 1, number of positions: 7, number of connections: 7, product range: PCV 5/...-G, pitch: 7.62 mm, mounting: Wave soldering, pin layout: Linear pinning, solder pin [P]: 5 mm, number of solder pins per potential: 3, plug-in system: COMBICON PC 5, Pin connector pattern alignment: Standard, locking: without, mounting: without, type of packaging: packed in cardboard

# PC 5/ 7-ST-7,62 - Printed-circuit board connector



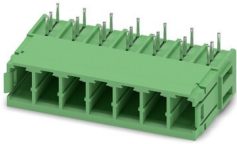
1975639

<https://www.phoenixcontact.com/us/products/1975639>

## PC 5/ 7-GU-7,62 - PCB header

1720738

<https://www.phoenixcontact.com/us/products/1720738>

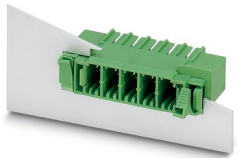


PCB headers, nominal cross section: 6 mm<sup>2</sup>, color: green, nominal current: 41 A, rated voltage (III/2): 630 V, contact surface: Tin, type of contact: Pin, number of potentials: 7, number of rows: 1, number of positions: 7, number of connections: 7, product range: PC 5/...-GU, pitch: 7.62 mm, mounting: Wave soldering, pin layout: Linear pinning, solder pin [P]: 4.2 mm, number of solder pins per potential: 3, plug-in system: COMBICON PC 5, Pin connector pattern alignment: reversed, locking: without, mounting: without, type of packaging: packed in cardboard

## DFK-PC 5/ 7-G-7,62 - Feed-through header

1727634

<https://www.phoenixcontact.com/us/products/1727634>



Feed-through header, nominal cross section: 6 mm<sup>2</sup>, color: green, nominal current: 41 A, rated voltage (III/2): 630 V, contact surface: Tin, type of contact: Pin, number of potentials: 7, number of rows: 1, number of positions: 7, number of connections: 7, product range: DFK-PC 5/...-G, pitch: 7.62 mm, mounting: Wave soldering, pin layout: Linear pinning, solder pin [P]: 4.9 mm, number of solder pins per potential: 3, plug-in system: COMBICON PC 5, Pin connector pattern alignment: Standard, locking: without, mounting: without, type of packaging: packed in cardboard

Phoenix Contact 2023 © - all rights reserved  
<https://www.phoenixcontact.com>

Phoenix Contact USA  
586 Fulling Mill Road  
Middletown, PA 17057, United States  
(+717) 944-1300  
[info@phoenixcon.com](mailto:info@phoenixcon.com)