

PC 5/ 3-ST-7,62 - Printed-circuit board connector



1975590

<https://www.phoenixcontact.com/us/products/1975590>

Please be informed that the data shown in this PDF document is generated from our Online Catalog. Please find the complete data in the user documentation. Our General Terms of Use for Downloads are valid.

PCB connector, color: green, contact surface: Tin, number of positions: 3, product range: PC 5/..-ST, pitch: 7.62 mm



Commercial Data

Item number	1975590
Packing unit	1 pc
Minimum order quantity	50 pc
Note	Made to Order (non-returnable)
Sales Key	NULL
Product Key	AAD1AD
Catalog Page	Page 378 (CC-2009)
GTIN	4017918971755
Weight per Piece (including packing)	15.59 g
Weight per Piece (excluding packing)	15.21 g
Customs tariff number	85366990
Country of origin	DE

PC 5/ 3-ST-7,62 - Printed-circuit board connector



1975590

<https://www.phoenixcontact.com/us/products/1975590>

Technical Data

Product properties

Type	Standard
Product type	PCB plug
Product family	PC 5/...-ST
Number of positions	3
Pitch	7.62 mm
Mounting flange	without

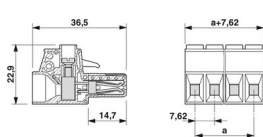
Electrical properties

Maximum load current	41 A
Rated voltage (II/2)	1000 V
Rated voltage (III/2)	1000 V
Rated surge voltage (II/2)	6 kV
Rated surge voltage (III/2)	8 kV
Rated surge voltage (III/3)	8 kV

Material specifications

Color	green
Flammability rating according to UL 94	V0
Insulating material group	I
Insulating material	PA
Contact surface	Tin Sn
Contact surface material	Sn

Dimensions

Dimensional drawing	
Installed height	20 mm
Pitch	7.62 mm

PC 5/ 3-ST-7,62 - Printed-circuit board connector

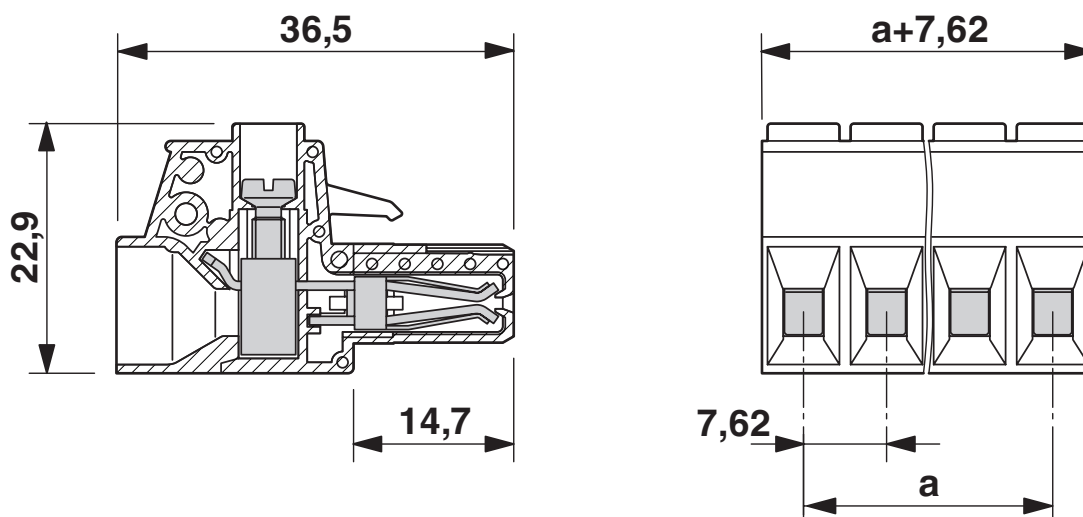


1975590

<https://www.phoenixcontact.com/us/products/1975590>

Drawings

Dimensional drawing



PC 5/ 3-ST-7,62 - Printed-circuit board connector



1975590

<https://www.phoenixcontact.com/us/products/1975590>

Approvals



EAC

Approval ID: B.01687



cULus Recognized

Approval ID: E60425-19920722

	Nominal Voltage U_N	Nominal Current I_N	Cross Section AWG	Cross Section mm^2
Use group B				
Multi-conductor connection	600 V	41 A	24 - 12	-
Screw connection	-	41 A	24 - 8	-
Use group C				
Multi-conductor connection	600 V	41 A	24 - 12	-
Screw connection	-	41 A	24 - 8	-

PC 5/ 3-ST-7,62 - Printed-circuit board connector



1975590

<https://www.phoenixcontact.com/us/products/1975590>

Environmental Product Compliance

China RoHS	Environmentally friendly use period: unlimited = EFUP-e No hazardous substances above threshold values
------------	---

PC 5/ 3-ST-7,62 - Printed-circuit board connector



1975590

<https://www.phoenixcontact.com/us/products/1975590>

Accessories

PC 5/ 3-G-7,62 - PCB header

1720479

<https://www.phoenixcontact.com/us/products/1720479>

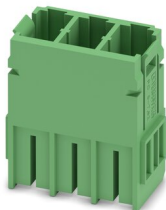


PCB headers, nominal cross section: 6 mm², color: green, nominal current: 41 A, rated voltage (III/2): 630 V, contact surface: Tin, type of contact: Pin, number of potentials: 3, number of rows: 1, number of positions: 3, number of connections: 3, product range: PC 5/...-G, pitch: 7.62 mm, mounting: Wave soldering, pin layout: Linear pinning, solder pin [P]: 5 mm, number of solder pins per potential: 3, plug-in system: COMBICON PC 5, Pin connector pattern alignment: Standard, locking: without, mounting: without, type of packaging: packed in cardboard

PCV 5/ 3-G-7,62 - PCB header

1720589

<https://www.phoenixcontact.com/us/products/1720589>



PCB headers, nominal cross section: 6 mm², color: green, nominal current: 41 A, rated voltage (III/2): 630 V, contact surface: Tin, type of contact: Pin, number of potentials: 3, number of rows: 1, number of positions: 3, number of connections: 3, product range: PCV 5/...-G, pitch: 7.62 mm, mounting: Wave soldering, pin layout: Linear pinning, solder pin [P]: 5 mm, number of solder pins per potential: 3, plug-in system: COMBICON PC 5, Pin connector pattern alignment: Standard, locking: without, mounting: without, type of packaging: packed in cardboard

PC 5/ 3-ST-7,62 - Printed-circuit board connector



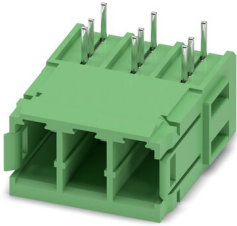
1975590

<https://www.phoenixcontact.com/us/products/1975590>

PC 5/ 3-GU-7,62 - PCB header

1720699

<https://www.phoenixcontact.com/us/products/1720699>

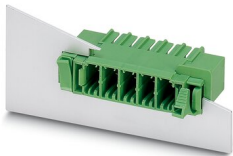


PCB headers, nominal cross section: 6 mm², color: green, nominal current: 41 A, rated voltage (III/2): 630 V, contact surface: Tin, type of contact: Pin, number of potentials: 3, number of rows: 1, number of positions: 3, number of connections: 3, product range: PC 5/...-GU, pitch: 7.62 mm, mounting: Wave soldering, pin layout: Linear pinning, solder pin [P]: 4.2 mm, number of solder pins per potential: 3, plug-in system: COMBICON PC 5, Pin connector pattern alignment: reversed, locking: without, mounting: without, type of packaging: packed in cardboard

DFK-PC 5/ 3-G-7,62 - Feed-through header

1727595

<https://www.phoenixcontact.com/us/products/1727595>



Feed-through header, nominal cross section: 6 mm², color: green, nominal current: 41 A, rated voltage (III/2): 630 V, contact surface: Tin, type of contact: Pin, number of potentials: 3, number of rows: 1, number of positions: 3, number of connections: 3, product range: DFK-PC 5/...-G, pitch: 7.62 mm, mounting: Wave soldering, pin layout: Linear pinning, solder pin [P]: 4.9 mm, number of solder pins per potential: 3, plug-in system: COMBICON PC 5, Pin connector pattern alignment: Standard, locking: without, mounting: without, type of packaging: packed in cardboard

Phoenix Contact 2023 © - all rights reserved
<https://www.phoenixcontact.com>

Phoenix Contact USA
586 Fulling Mill Road
Middletown, PA 17057, United States
(+717) 944-1300
info@phoenixcon.com