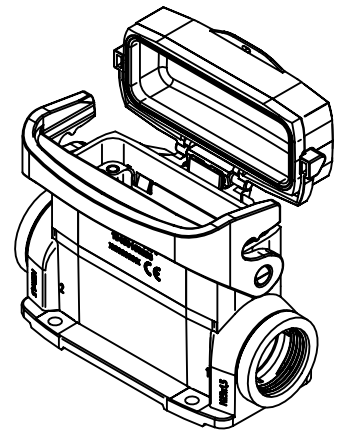



Han-Eco 16A
19460160293
xxxxxxx CE

① tightening torque max. 10Nm



	All rights reserved Department EL PD	All Dimensions in mm Original Size DIN A4	Scale 1:1	Free size tol.	Ref. Sub.
		Created by 102700	Inspected by SUNDERMEIER	Standardisation	Date 2021-08-12
HARTING D-32339 Espelkamp		Title Han-Eco 16A-HSM2-M25 with cover			Doc-Key / ECM-Nr. 100601710/UGD/001/E 500000200951
		Type TB	Number 19 46 016 0293		Rev. E
					Page 1/1