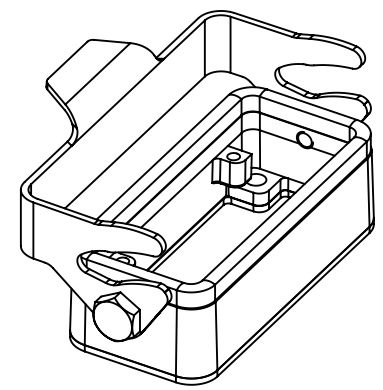
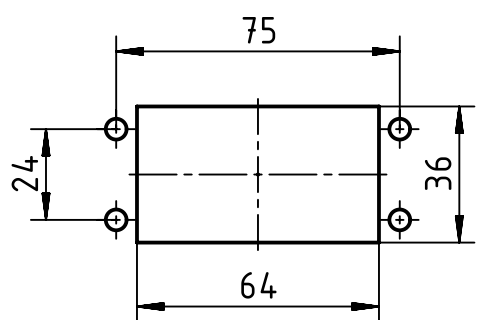


panel cut out (1:2)



	All rights reserved Department EL PD HARTING Electric GmbH & Co. KG D-32339 Espelkamp	All Dimensions in mm Original Size DIN A4	Scale 1:2	Free size tol.	Ref. Sub. TB 19 44 310 0305 v. 26.03.2007
		Created by RULLKOETTER	Inspected by GERB	Standardisation RUETERA	Date 2019-04-29
Title Han INOX 10B-HBM-SL				Doc-Key / ECM-Nr. 100105097/UGD/006/A 500000144643	
Type TB		Number 19 44 310 0305		Rev. A	Page 1/1