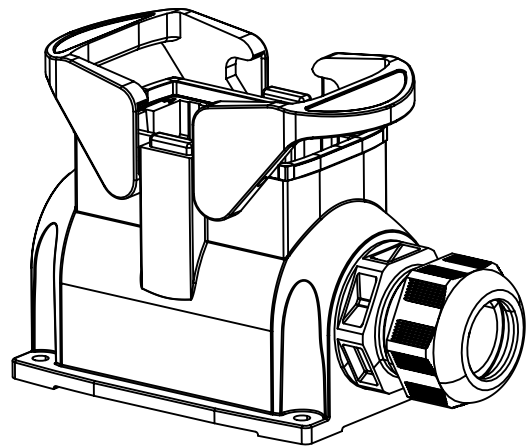
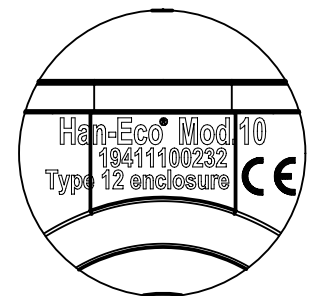


Z (1:1)



adapter frame and cable gland are enclosed

	All Dimensions in mm Original Size DIN A4		Scale 1:2	Free size tol.		Ref.	
			Created by BALSAN	Inspected by 402602	Standardisation 302077	Date 2021-02-23	State Final Release
All rights reserved Department EL PD		Title Han-Eco Mod.10-HSM1-M32-glanded				Doc-Key / ECM-Nr. 100222555/UGD/006/F 500000189866	
HARTING D-32339 Espelkamp		Type TB	Number 19 41 110 0232			Rev. F	Page 1/1