

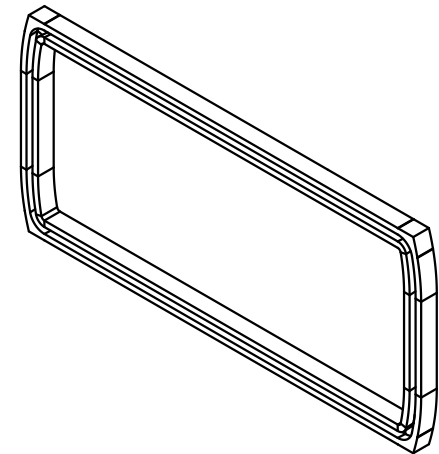
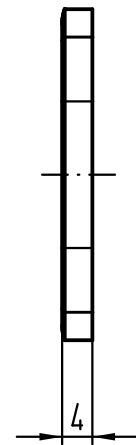
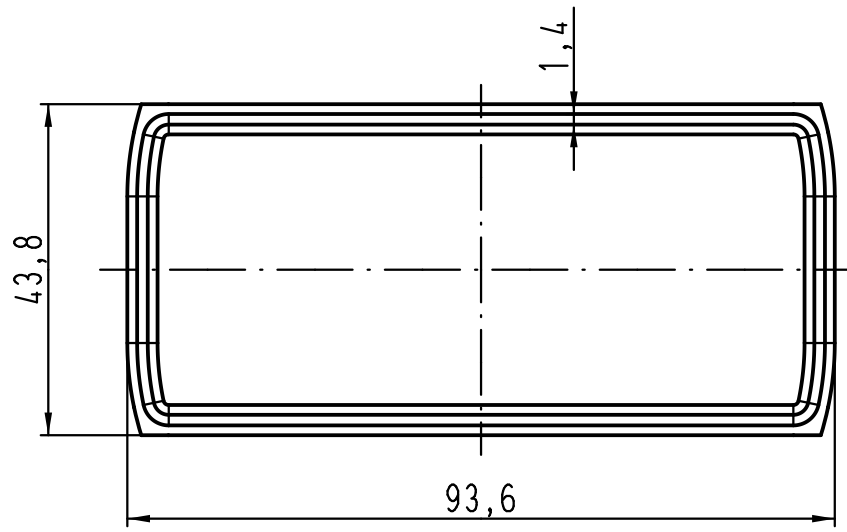
1 2 3 4 5 6

A

B

C

D



|   |          |      |                                |          |      |  |  |            |
|---|----------|------|--------------------------------|----------|------|--|--|------------|
| All Dimensions in mm<br>Original Size DIN A 4 |          |      | Techn. Character.              |          |      | Nicht tolerierte Maße/Free size tolerances |  |            |
|   |          |      |                                | Dat.     | Name | Maßstab/Scale<br><br>1:1                   | Han-Eco 16<br>Profildichtung (FPM)<br>gasket (FPM) |            |
|   |          |      | Detail.                        | 14.11.11 | ML   |  |  |            |
|   |          |      | Insp.                          |          | Herb |  |  |            |
|   |          |      | Stand.                         |          |      |  |  |            |
| B   | 25.05.12 | Rull | HARTING Electric GmbH & Co. KG |          |      |  | TB 19 41 000 9953                                  |            |
| A   |          |      | D-32339 Espelkamp              |          |      |  |  |            |
| Mod.  | Dat.     | Name |                                |          |      |  |  |            |
|   |          |      |                                |          |      |  | Sub.   | Blatt/page |