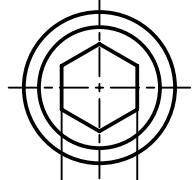
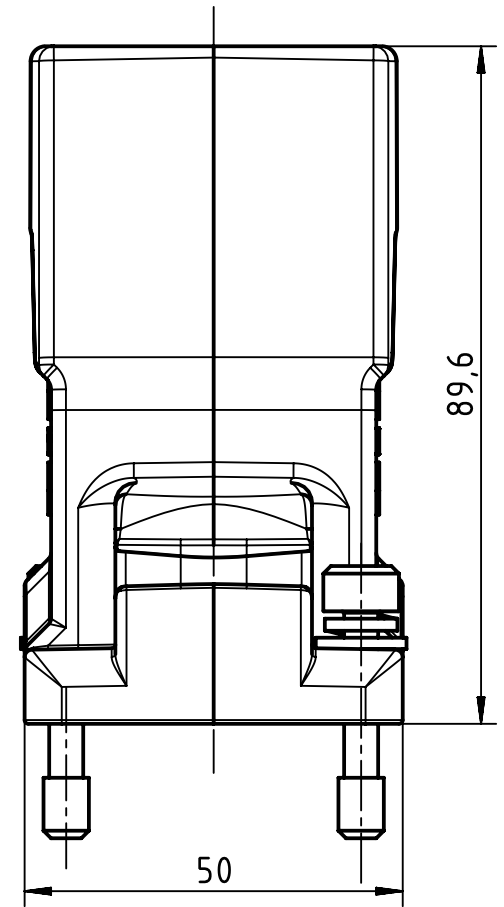
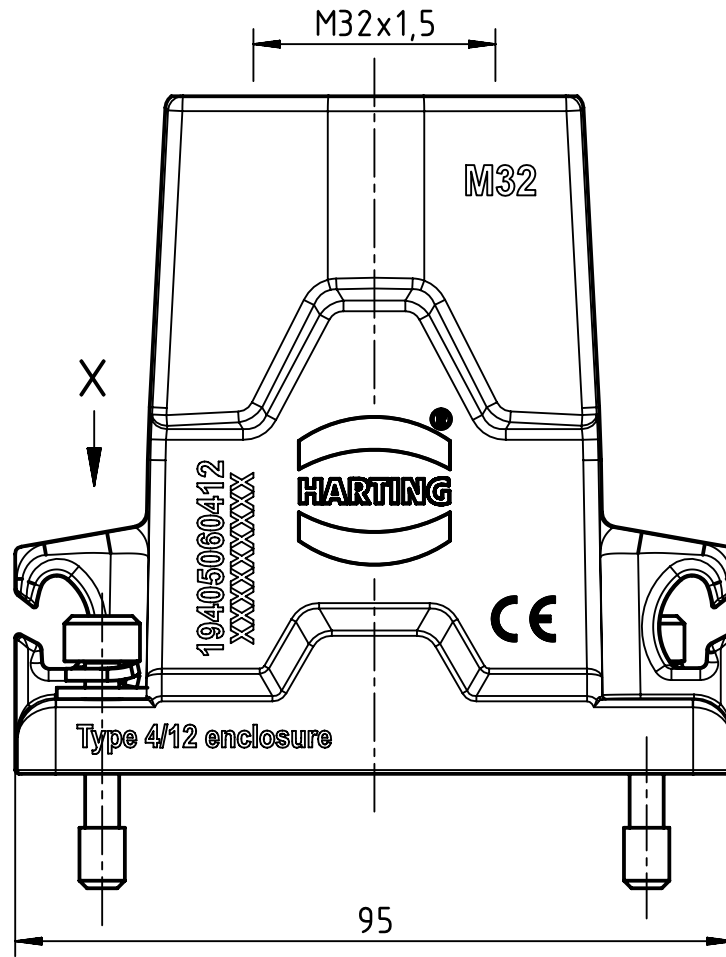
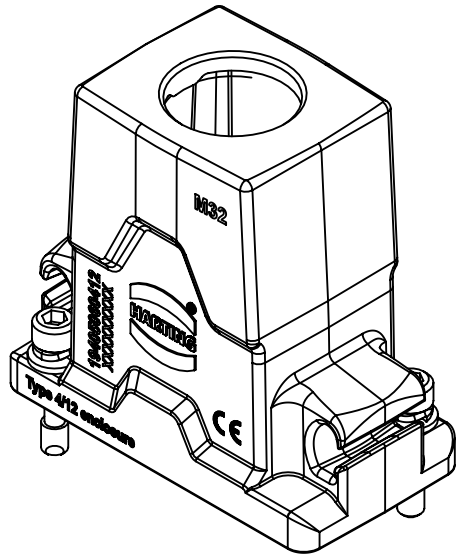


X (2:1)



SW 5
tightening torque
min. 4Nm



	All Dimensions in mm Original Size DIN A4		Scale 1:1	Free size tol.		Ref.
	All rights reserved Department EL PD		Created by WENE	Inspected by LUOK	Standardisation 302077	Sub.
HARTING D-32339 Espelkamp		Title Han 6HPR-Compact-HTE-HC-SCL-M32			Date 2021-06-04	State Final Release
					Doc-Key / ECM-Nr. 100871534/UGD/002/C 500000196202	
					Type TB	Number 19 40 506 0412
					Rev. C	Page 1/1