

1 2 3 4 5 6

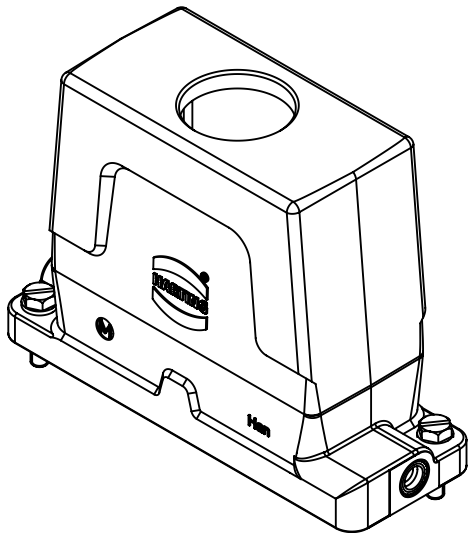
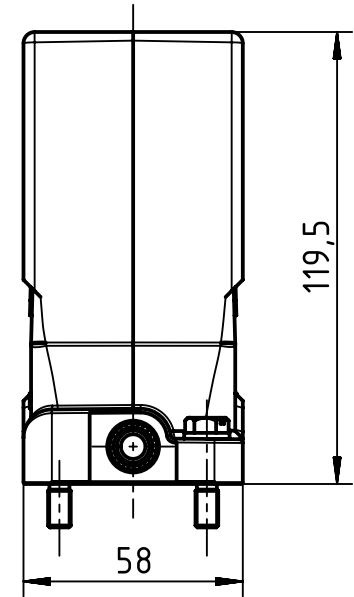
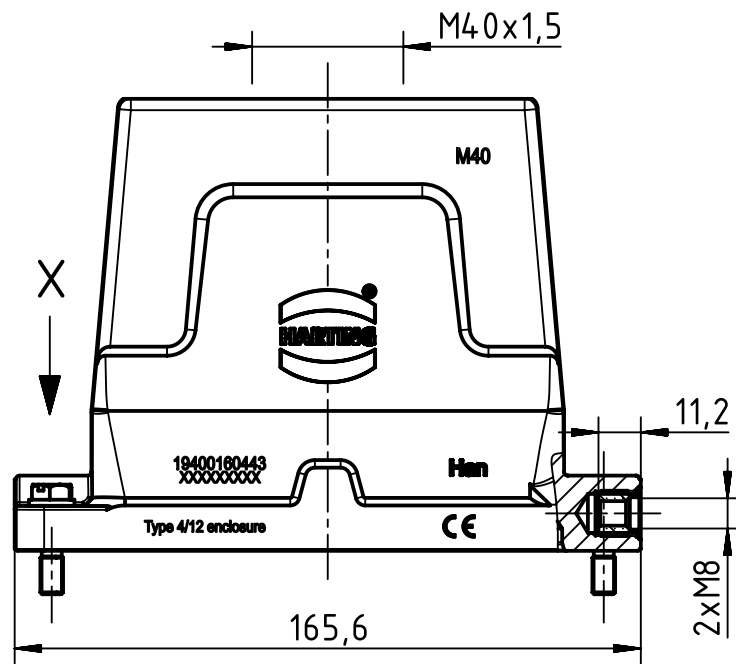
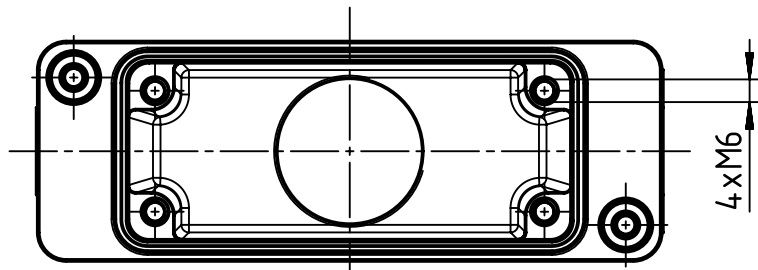
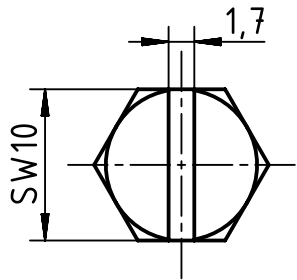
A

B

C

D

X (2:1)



	All Dimensions in mm Original Size DIN A4	Scale 1:2		Free size tol.		Ref.		
		Created by LONGL		Inspected by HEW		Standardisation TIEMANNA		Date 2019-12-31
	All rights reserved		Department EL PD		State Final Release		Doc-Key / ECM-Nr. 100794.038/UGD/001/C 500000162848	
	HARTING Electric GmbH & Co. KG D-32339 Espelkamp		Title Han 16HPR enlarged-HTE-SCL-M40-FE		Type TB		Number 19 40 016 0443	
							Rev. C	Page 1/1