

1 2 3 4 5 6

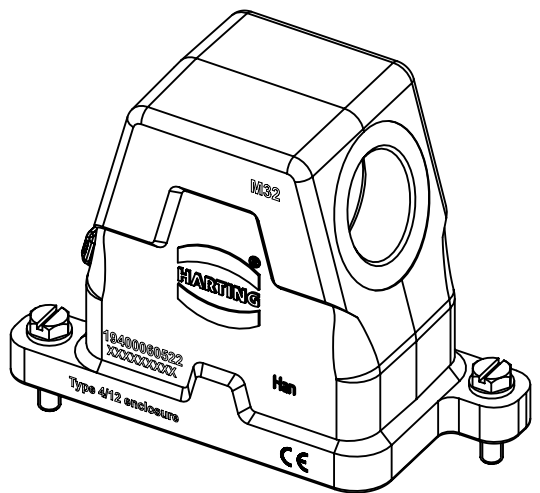
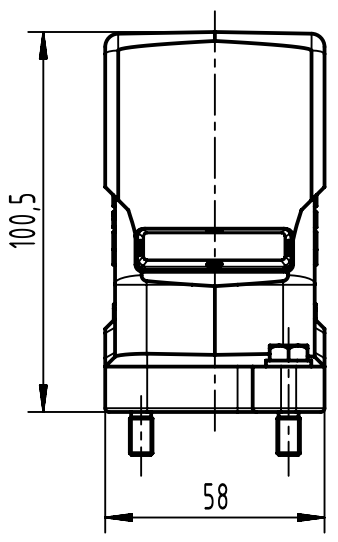
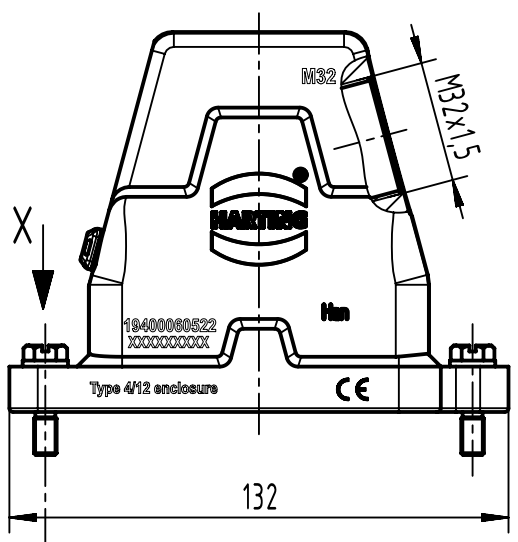
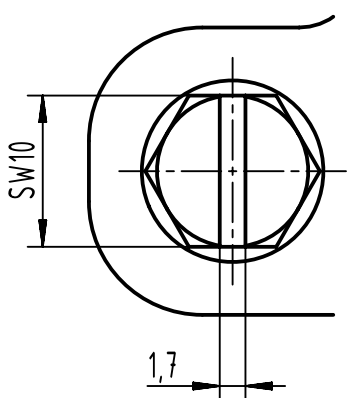
A

B

C

D

X (2:1)



	All Dimensions in mm Original Size DIN A4		Scale 1:2	Free size tol.		Ref.
			Created by SPRENB	Inspected by GERB	Standardisation	Sub.
All rights reserved Department EL PD		Title <b>Han 6HPR-HSE-M32 Screw Lock -Tag</b>		Date 2021-09-10	State Final Release	
HARTING D-32339 Espelkamp		Type <b>TB</b>		Number <b>19 40 006 0522</b>		Doc-Key / ECM-Nr. 100567468/UGD/004/F 500000201415
					Rev. <b>F</b>	Page 1/1