

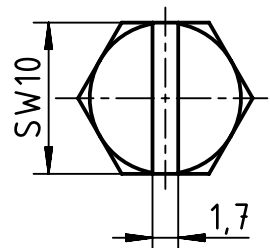
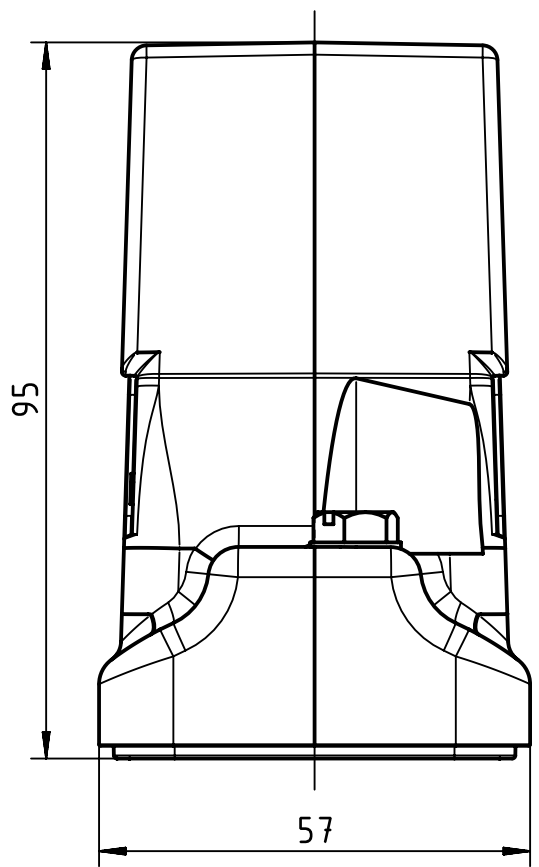
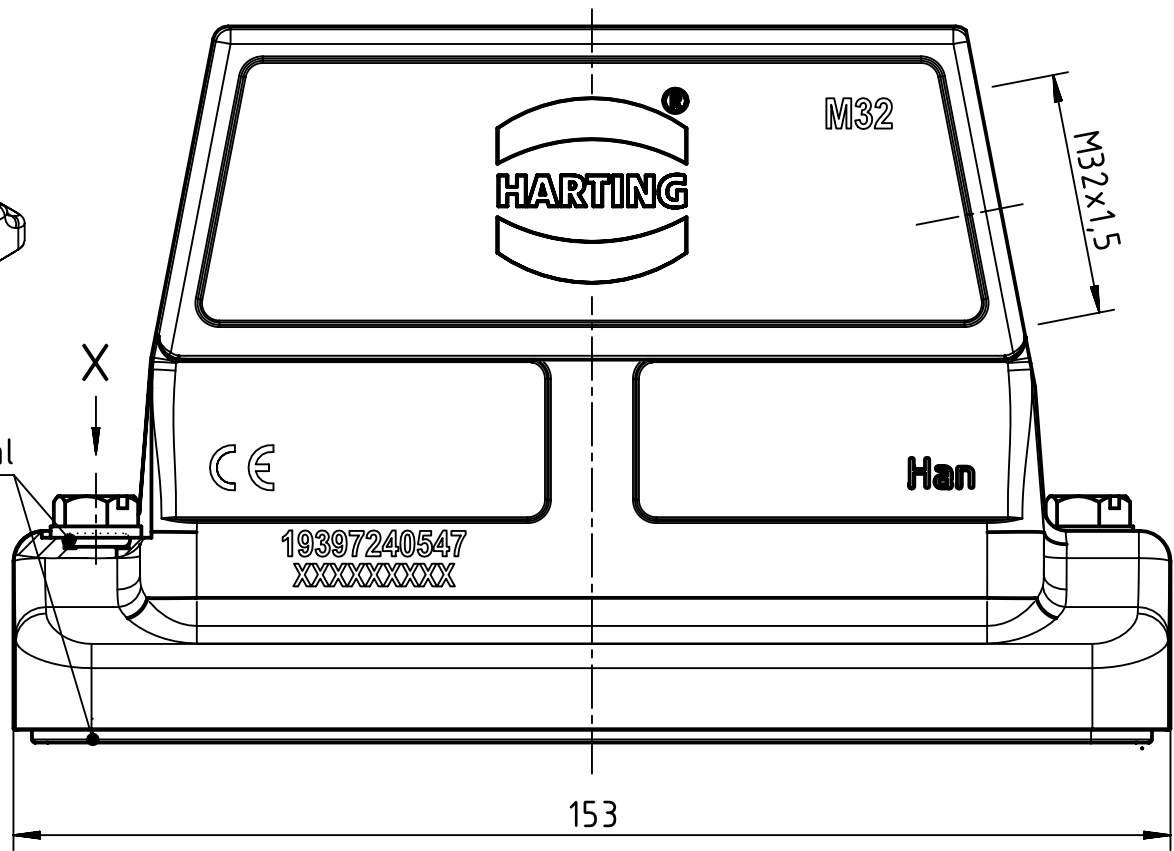
A

B

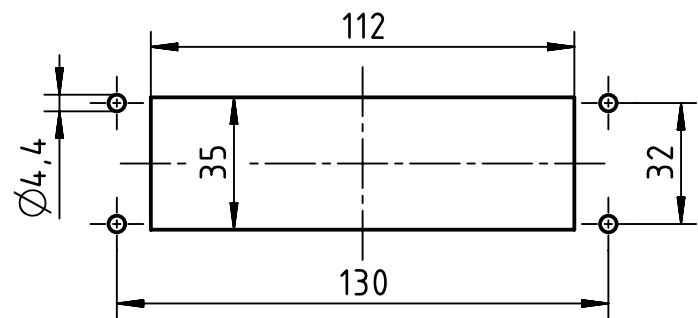
C

D

1 2 3 4 5 6



Panel cut out (1:2)



	All Dimensions in mm Original Size DIN A4		Scale 1:1	Free size tol.		Ref.
	All rights reserved Department EL PD		Created by ZHUANGJ	Inspected by LUOK	Standardisation 302077	Sub.
		Title Han 24HP Direct/M-HSE-M32			Date 2021-02-23	State Final Release
HARTING (Zhuhai) Manufacturing Co., Ltd. 519085 Zhuhai, China		Type TB	Number 19 39 724 0547		Doc-Key / ECM-Nr. 100664908/UGD/004/F 500000187461	Rev. F
					Page 1/1	