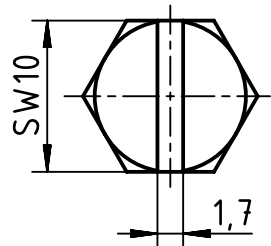
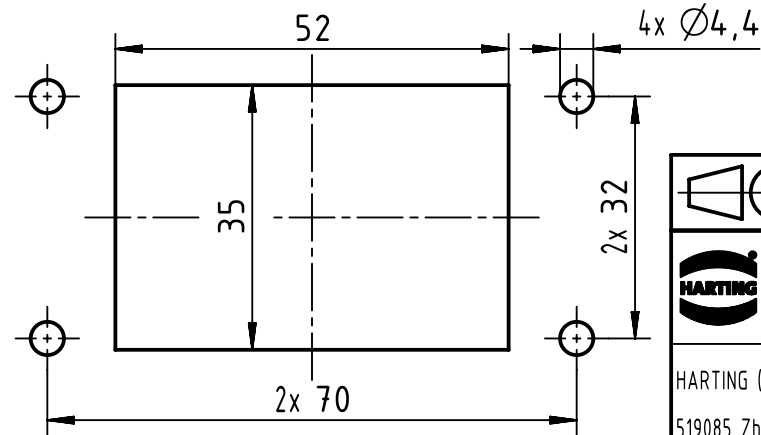
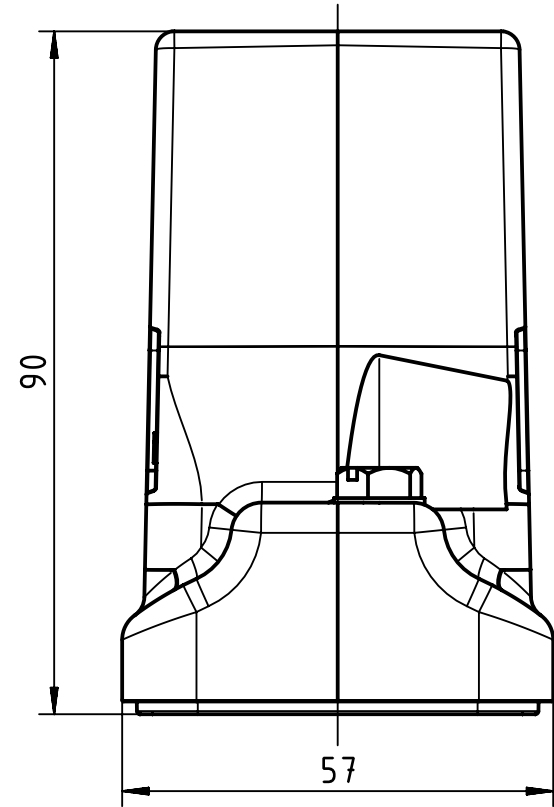
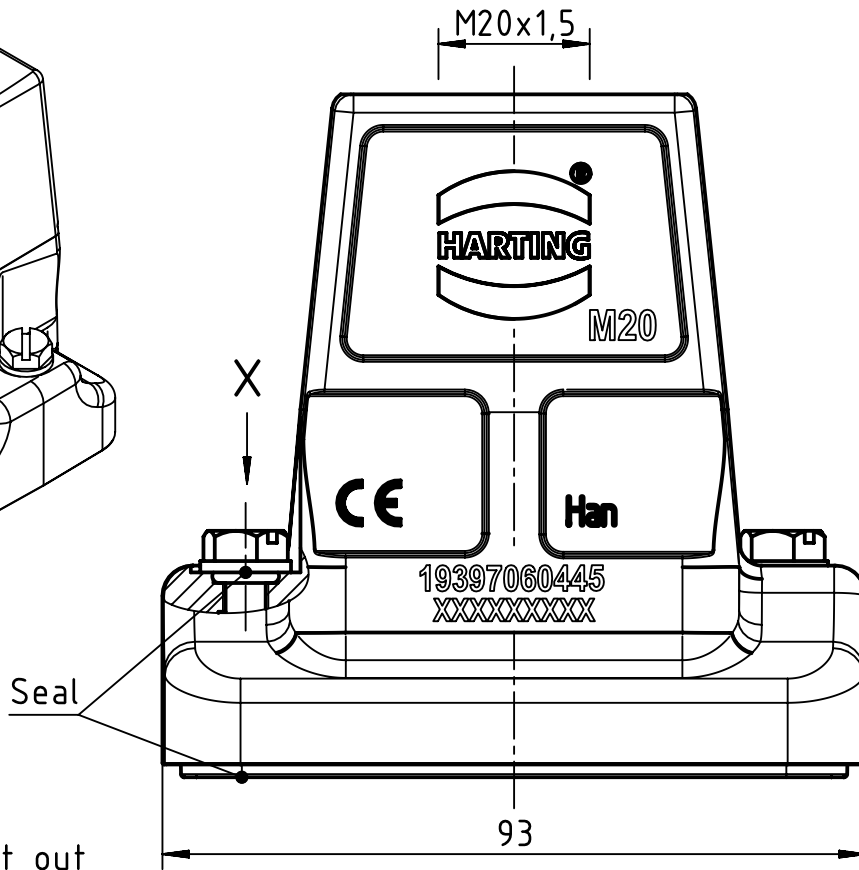


X (2:1)



Panel cut out



	All rights reserved		Created by ZHUANGJ		Inspected by LUOK		Standardisation ROEBEN		Date 2021-11-19		State Final Release	
	Department EL PD		Title Han 6HP Direct/M-HTE-M20		Doc-Key / ECM-Nr. 100663697/UGD/003/F 500000192069		Type TB		Number 19 39 706 0445		Rev. F	
HARTING (Zhuhai) Manufacturing Co., Ltd. 519085 Zhuhai, China			All Dimensions in mm Original Size DIN A4		Scale 1:1 Free size tol.		Ref. Sub.		Page 1/1		A4	