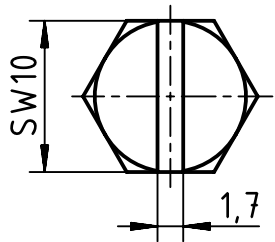
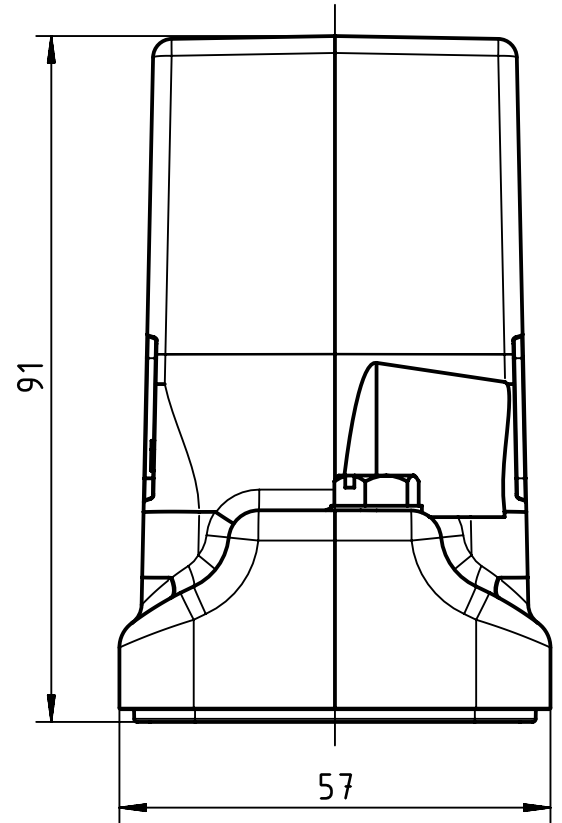
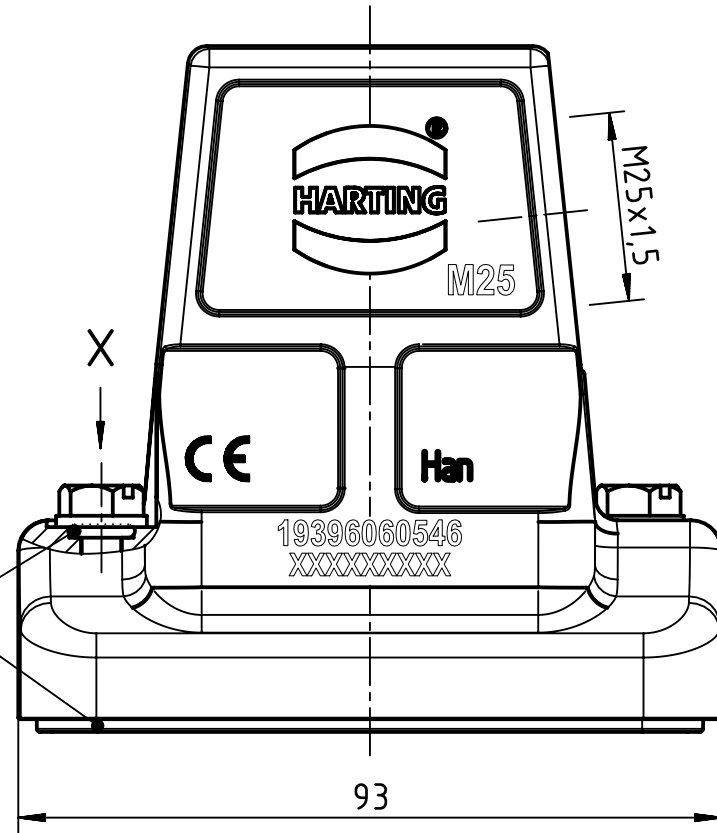
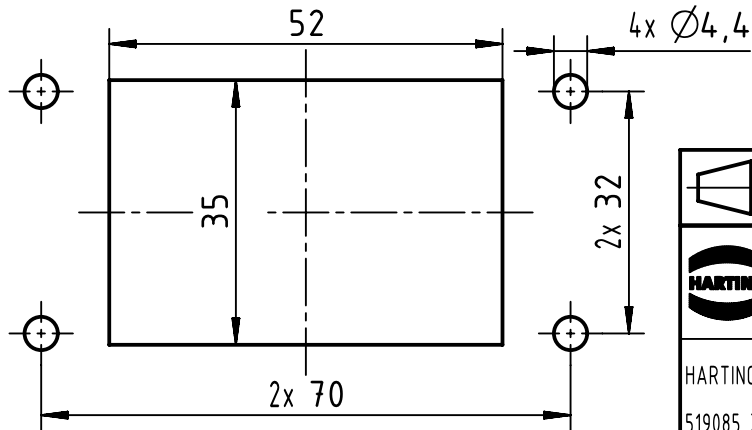




X (2:1)



Panel cut out



	All rights reserved		Created by ZHUANGJ		Inspected by LUOK		Standardisation ROEBEN		Date 2021-12-02		State Final Release	
	Department EL PD		Title Han 6HP Direct/B-HSE-M25		Doc-Key / ECM-Nr. 100661488/UGD/002/F 500000194824		Rev. F		Page 1/1			
HARTING (Zhuhai) Manufacturing Co., Ltd. 519085 Zhuhai, China			Type TB		Number 19 39 606 0546							
 All Dimensions in mm Original Size DIN A4			Scale 1:1		Free size tol.		Ref.		Sub.			