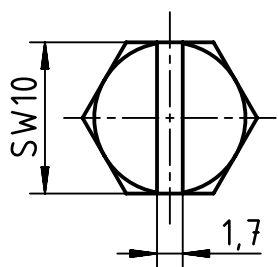
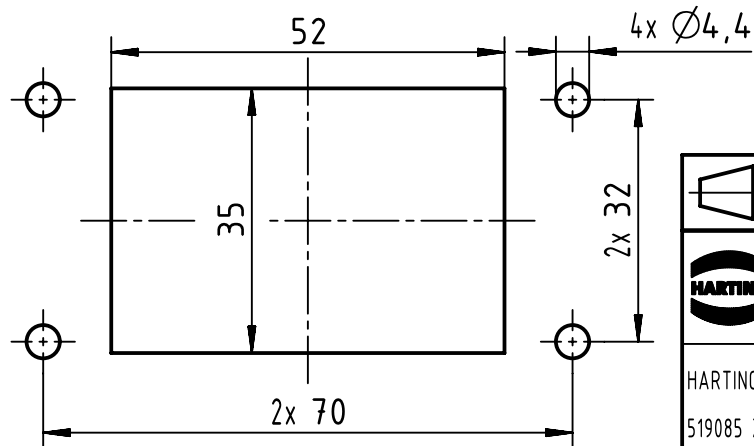


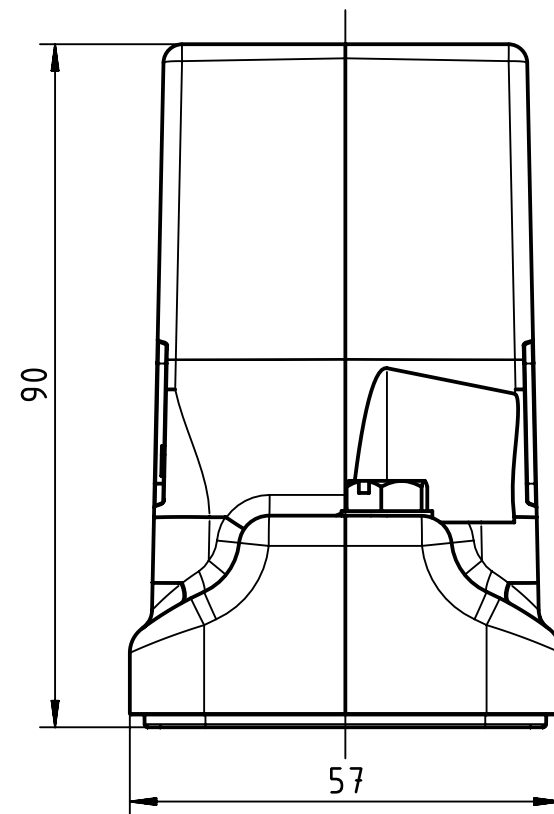
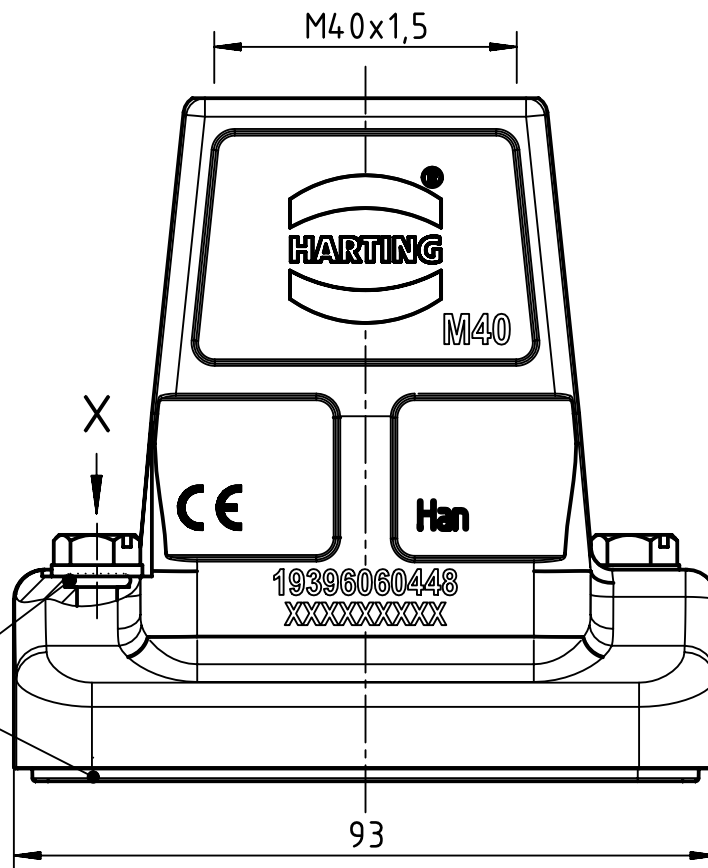
X (2:1)




Panel cut out



Seal



	All Dimensions in mm Original Size DIN A4		Scale 1:1	Free size tol.		Ref.	
	All rights reserved		Created by ZHUANGJ	Inspected by LUOK	Standardisation ROEBEN	Date 2021-11-19	State Final Release
Department EL PD		Title Han 6HP Direct/B-HTE-M40				Doc-Key / ECM-Nr. 100646316/UGD/005/F 500000206499	
HARTING (Zhuhai) Manufacturing Co., Ltd. 519085 Zhuhai, China		Type TB	Number 19 39 606 0448			Rev. F	Page 1/1