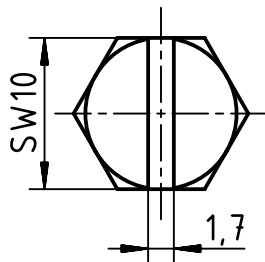
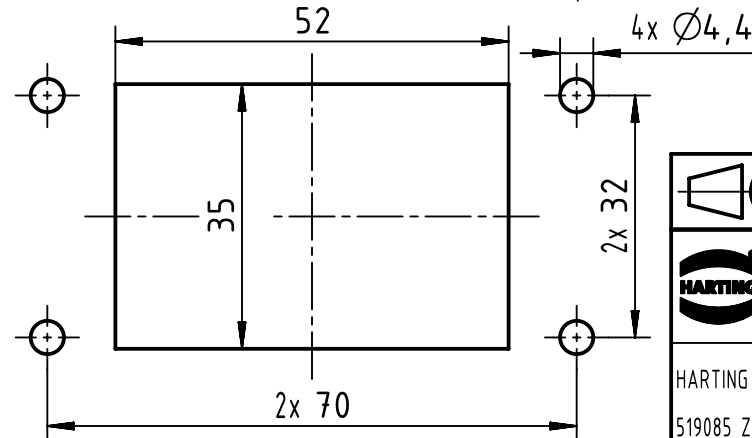


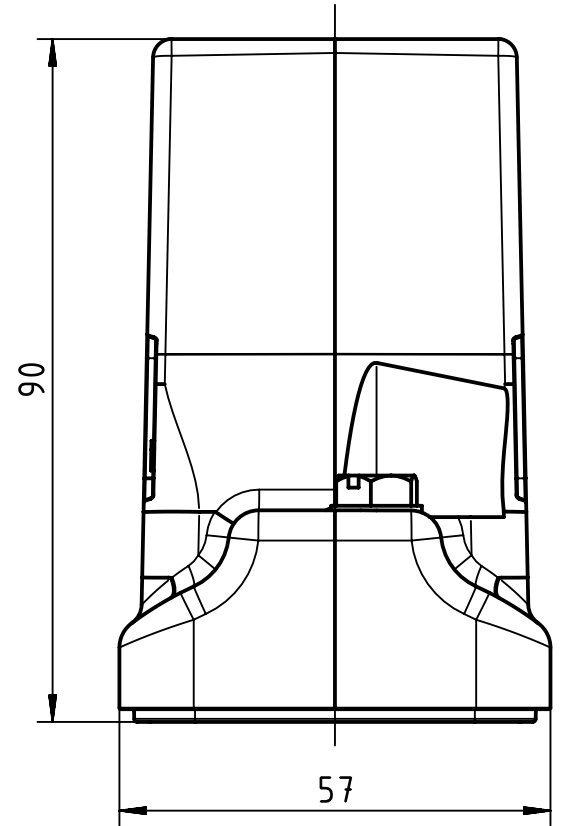
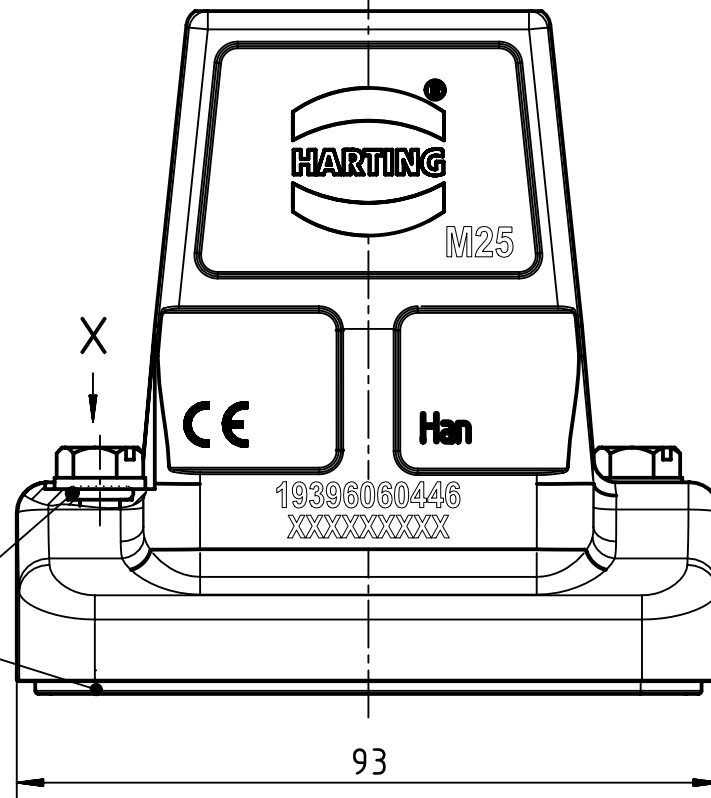
X (2:1)



Panel cut out



M25x1,5



	All Dimensions in mm Original Size DIN A4		Scale 1:1	Free size tol.		Ref.
	All rights reserved Department EL PD		Created by ZHUANGJ	Inspected by LUOK	Standardisation ROEBEN	Sub.
HARTING (Zhuhai) Manufacturing Co., Ltd. 519085 Zhuhai, China		Title <b>Han 6HP Direct/B-HTE-M25</b>			Date 2021-11-19	State Final Release
Type <b>TB</b>					Number <b>19 39 606 0446</b>	Doc-Key / ECM-Nr. 100646316/UGD/002/F 500000206499
					Rev. <b>F</b>	Page 1/1