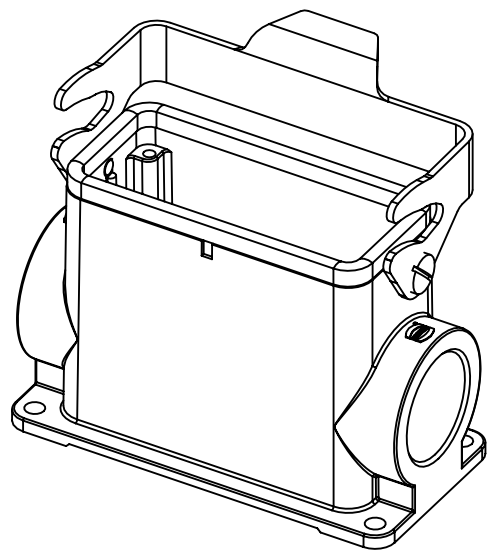
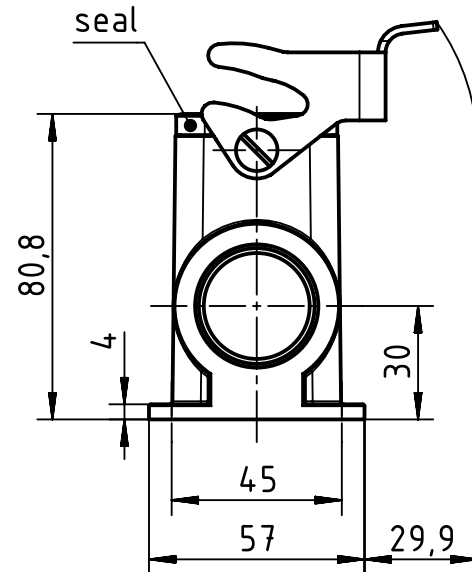
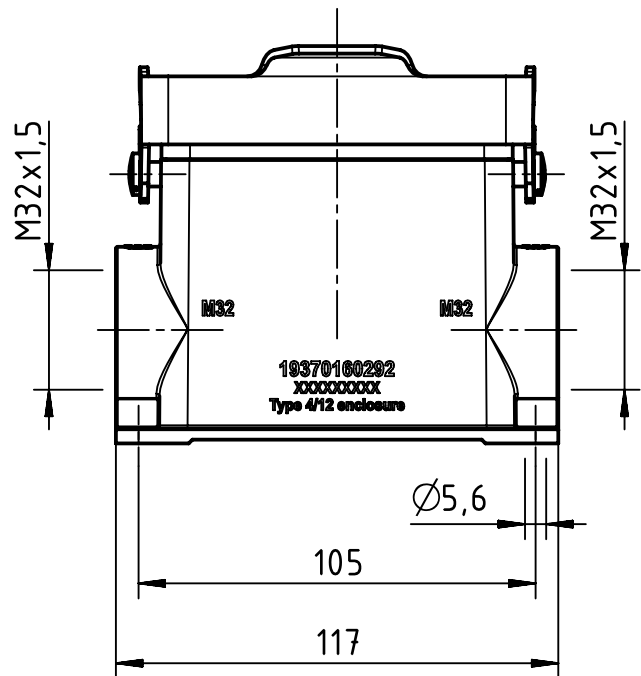



A

B

C

D



	All Dimensions in mm Original Size DIN A4		Scale 1:2	Free size tol.		Ref.	
	All rights reserved Department EL PD		Created by SPRENB	Inspected by GERB	Standardisation GARSKE	Date 2020-01-07	State Final Release
HARTING Electric GmbH & Co. KG D-32339 Espelkamp			Title Han 16M-asg2-LB-M32			Doc-Key / ECM-Nr. 100212004/UGD/004/C 500000162090	
			Type TB	Number 19 37 016 0292		Rev. C	Page 1/1