

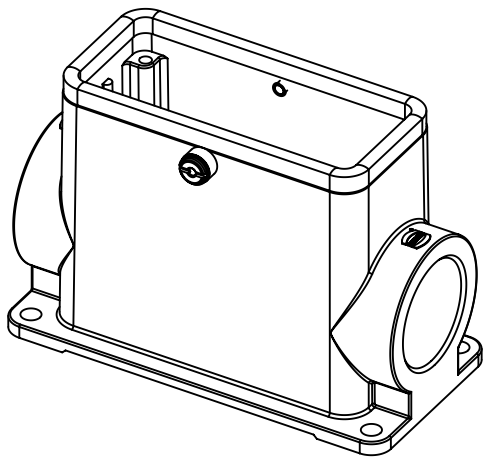
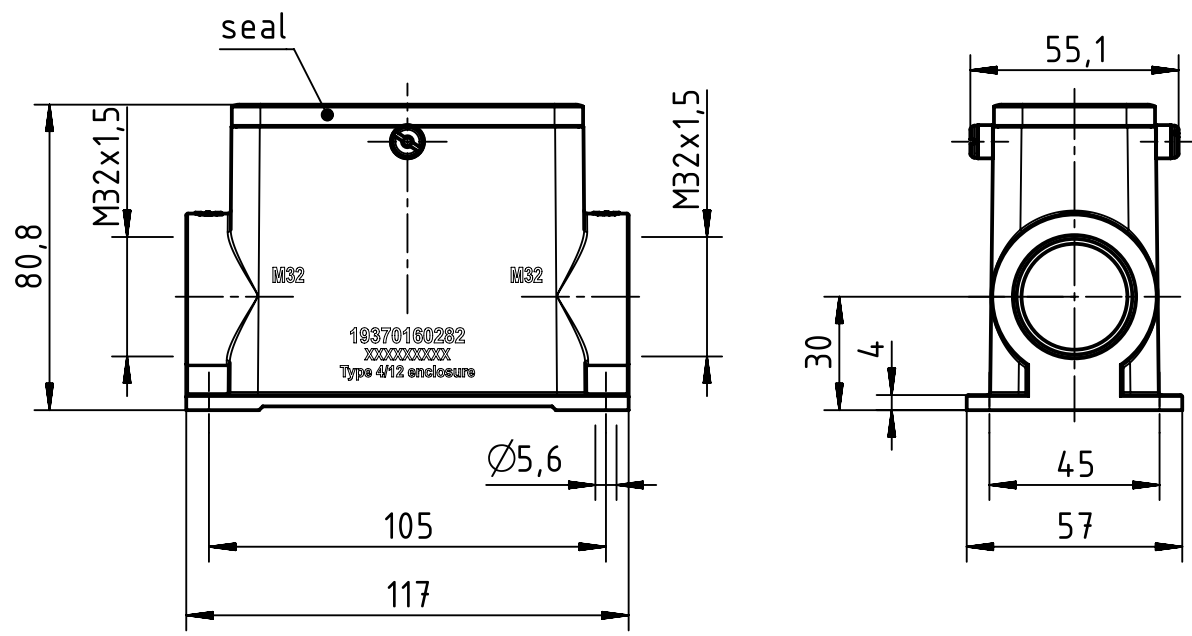
1 2 3 4 5 6


A

B

C

D



	All rights reserved Department EL PD	All Dimensions in mm Original Size DIN A4	Scale 1:2	Free size tol.	Ref.	
		HARTING Electric GmbH & Co. KG D-32339 Espelkamp	Created by SPREENB	Inspected by GERB	Standardisation GARSKE	Date 2020-01-07
Title Han 16M-asg2-R-M32					Doc-Key / ECM-Nr. 100212273/UGD/004/C 500000162090	
		Type TB	Number 19 37 016 0282		Rev. C	Page 1/1