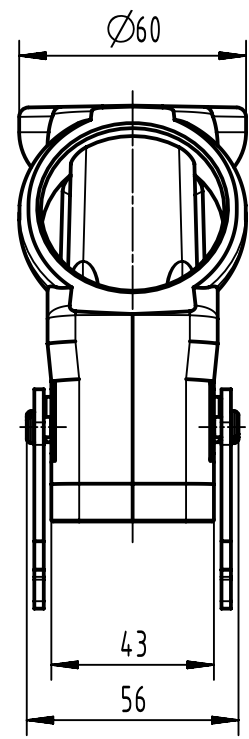
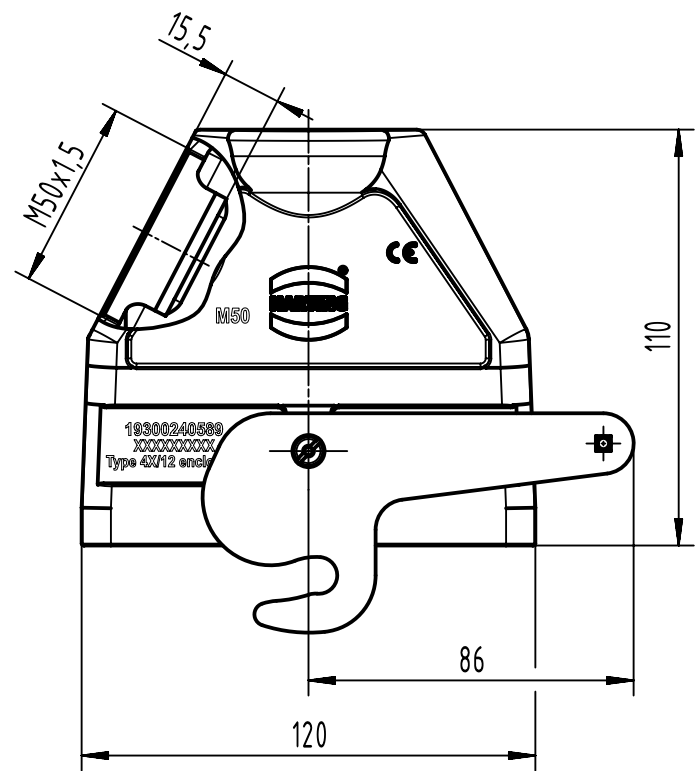
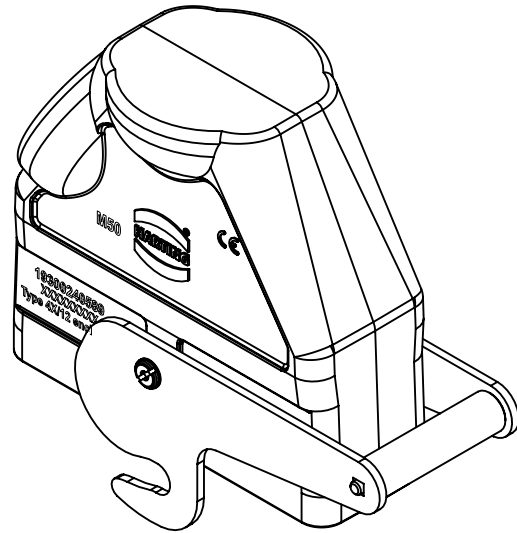


1 2 3 4 5 6

A  
B  
C  
D



|                              |  |  |                            |                          |                 |  |
|------------------------------|--|--|----------------------------|--------------------------|-----------------|--|
|                              | All Dimensions in mm<br>Original Size DIN A4 |  | Scale<br>1:2               | Free size tol.           |                 | Ref.   |
|                              |  |  |                            |                          |                 | Sub.   |
|                              | All rights reserved                          |  | Created by<br>HELLMANN     | Inspected by<br>GERB     | Standardisation | Date<br>2021-10-04                                       |
|                              | Department EL PD                             |  | Title<br>Han 24B-gs-ZV-M50 |                          |                 | State<br>Final Release                                   |
| HARTING<br>D-32339 Espelkamp |  |  | Type<br>TB                 | Number<br>19 30 024 0589 |                 | Doc-Key / ECM-Nr.<br>100177887/UGD/004/E<br>500000201393 |
|                              |  |  |                            |                          | Rev.<br>E       | Page<br>1/1  |