

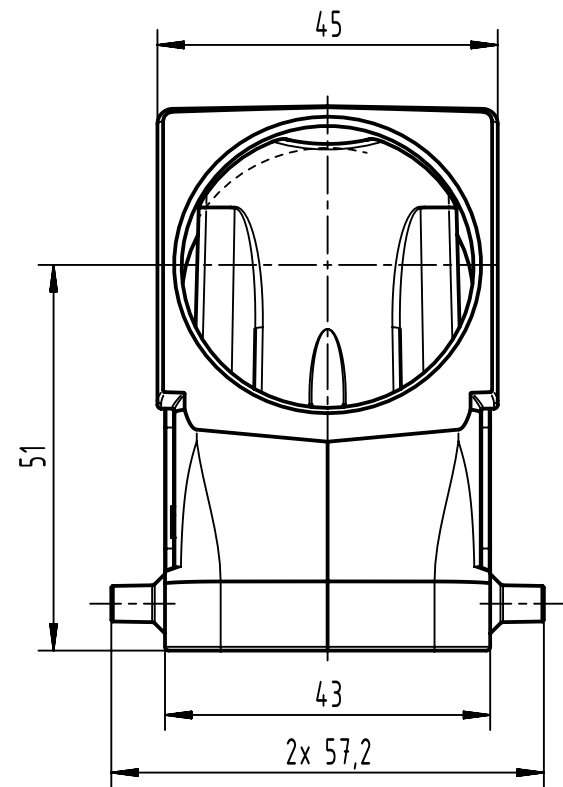
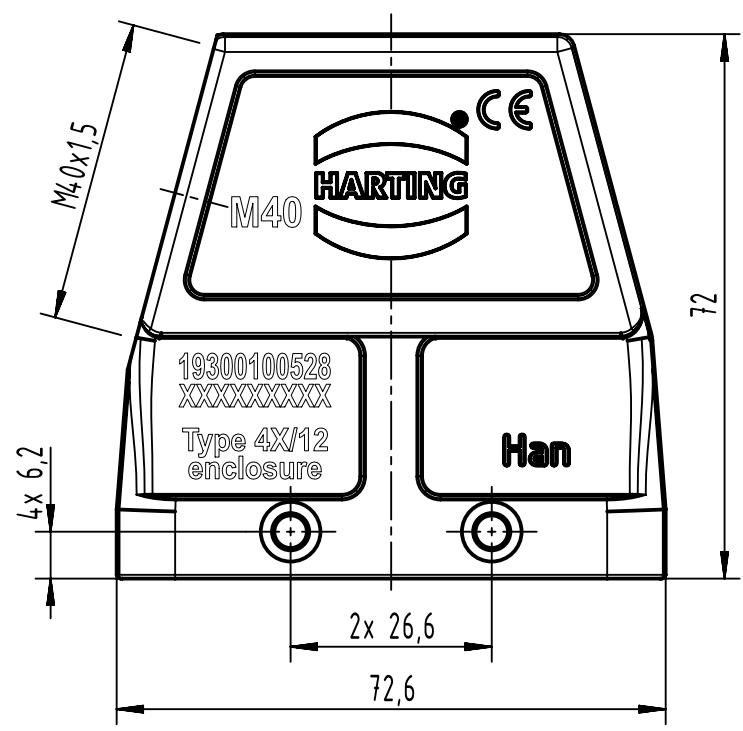
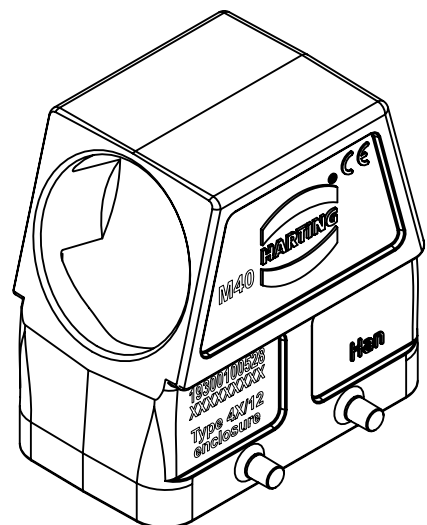
1 2 3 4 5 6

A

B

C

D



All Dimensions in mm Original Size DIN A4		Scale 1:1	Free size tol.		Ref.
All rights reserved Department EL PD		Created by HELLMANN	Inspected by GERB	Standardisation	Sub.
HARTING D-32339 Espelkamp		Title Han 10B-HSE-M40			Date 2021-11-02
		Type TB			State Final Release
		Number 19 30 010 0528			Doc-Key / ECM-Nr. 100540495/UGD/004/D 500000204048
					Rev. D
					Page 1/1