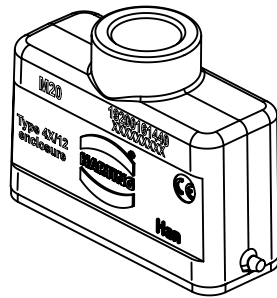
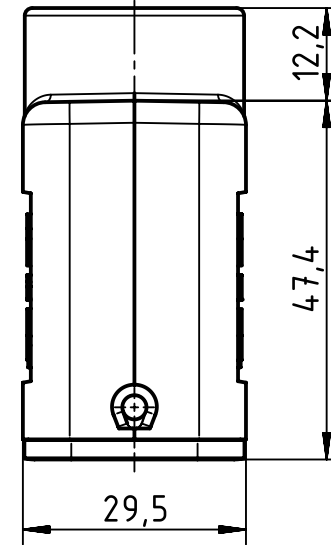
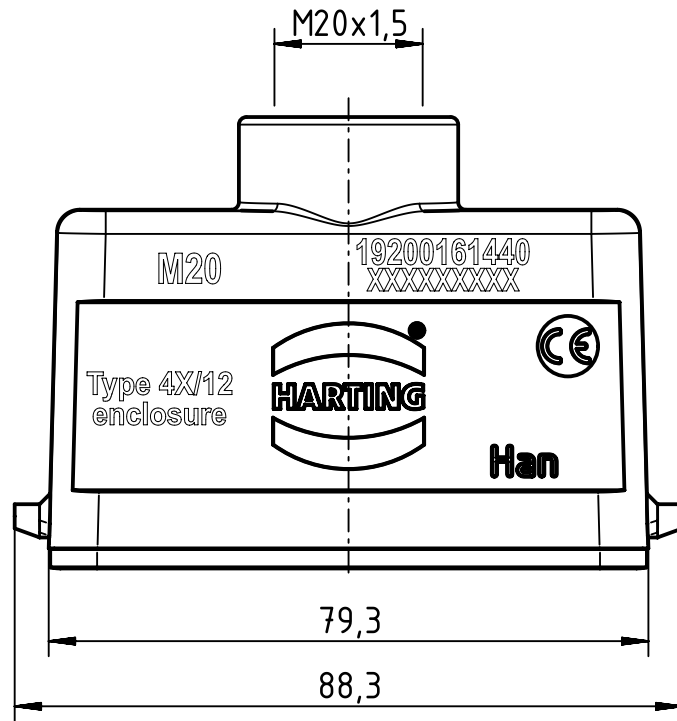


A

B

C

D



	All Dimensions in mm Original Size DIN A4		Scale 1:1	Free size tol.		Ref.	
						Sub.	
	All rights reserved		Created by HELLMANN	Inspected by GERB	Standardisation GARSKE	Date 2019-11-22	State Final Release
	Department EL PD		Title Han A Hood Top Entry LC 2 Pegs M20			Doc-Key / ECM-Nr. 100091083/UGD/005/C 500000161372	
HARTING Electric GmbH & Co. KG D-32339 Espelkamp			Type TB	Number 19 20 016 1440		Rev. C	Page 1/1