

1 2 3 4 5 6

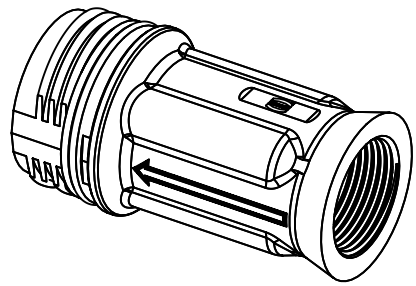
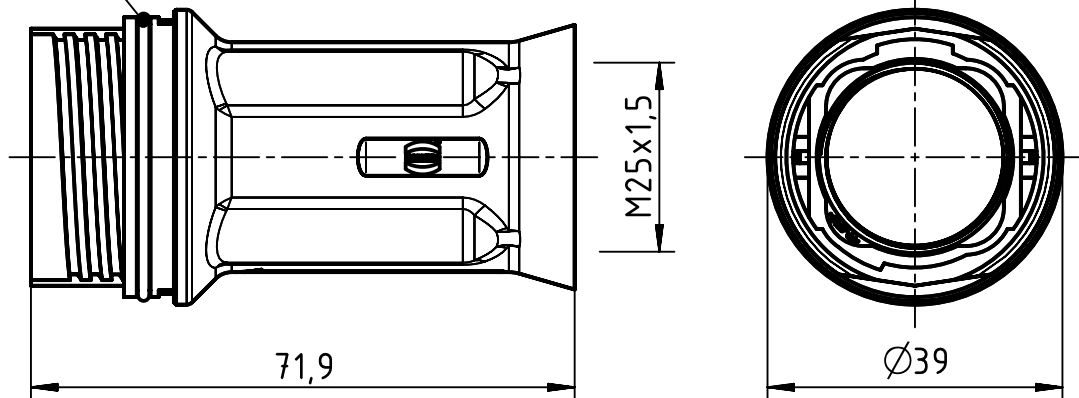
A


B

C

D

sealing



	All Dimensions in mm Original Size DIN A4		Scale 1:1	Free size tol.		Ref.	
	All rights reserved Department EL PD		Created by HELLMANN	Inspected by BERGHORN	Standardisation SCHMIDTM	Date 2018-09-11	State Final Release
HARTING Electric GmbH & Co. KG D-32339 Espelkamp			Title Han F+B hood cable to cable			Doc-Key / ECM-Nr. 100602326/UGD/001/G 500000139619	
			Type TB	Number 19 15 503 1701		Rev. G	Page 1/1