

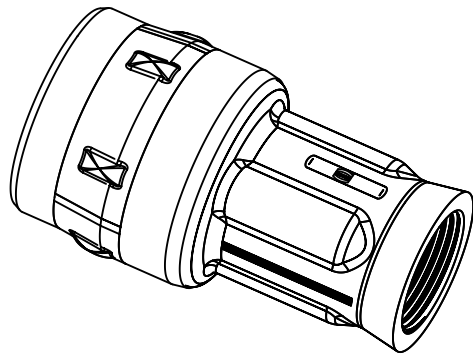
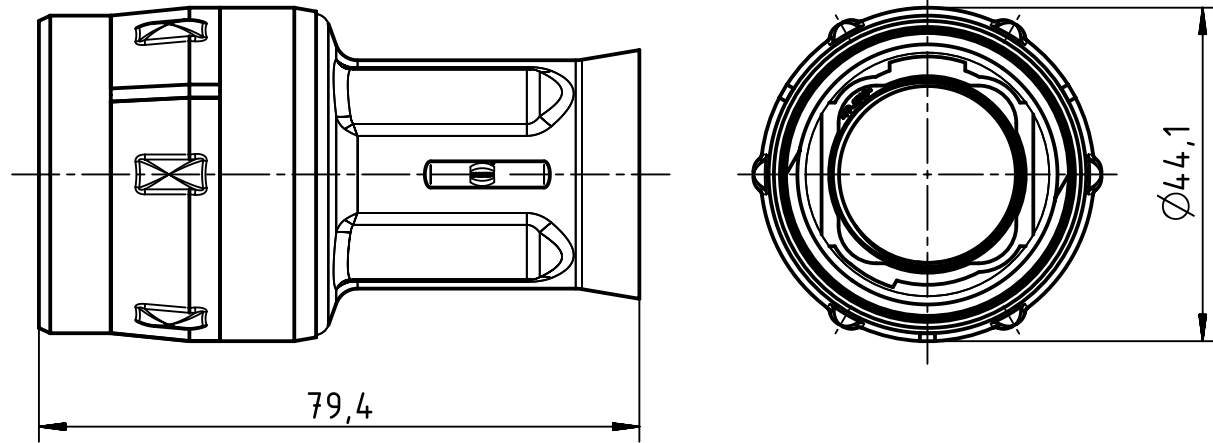
1 2 3 4 5 6



A

B

C

D



	All rights reserved Department EL PD - DE	Created by HOLLERT		Inspected by GARSKE		Standardisation SCHMIDTM		Date 2016-06-15		State Final Release	
		Title Han F+B hood-gg-M25								Doc-Key / ECM-Nr. 100550184 / UGD / 001 / H 500000105560	
HARTING Electric GmbH & Co. KG D-32339 Espelkamp		Type TB		Number 19 15 503 1401				Rev. H		Page 1/1	
 All Dimensions in mm Original Size DIN A4		Scale 1:1		Free size tol.				Ref.		Sub.	