

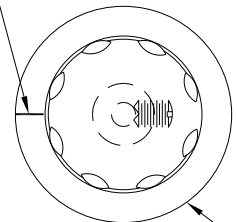
PART NAME: KNOB SCALE: 1:1 DATE: 10/30/96 DR. BY HD

DAVIES MOLDING COMPANY
CAROL STREAM, ILLINOIS 60188

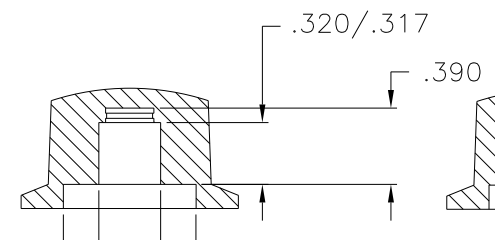
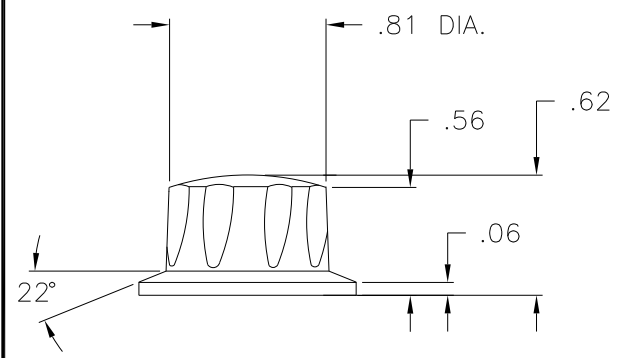
P/N 1913BU	
BASE PART	1913-04
INSERT	I0456
SET SCREW	I0328

THIS DRAWING IS THE PROPERTY OF DAVIES MOLDING COMPANY, IS SUBMITTED SOLELY AS A DESIGN OR ENGINEERING PROJECT. WE ACCEPT NO RESPONSIBILITY WHATSOEVER FOR THE PRACTICAL APPLICATION OF THE PIECES MADE TO THIS DESIGN.

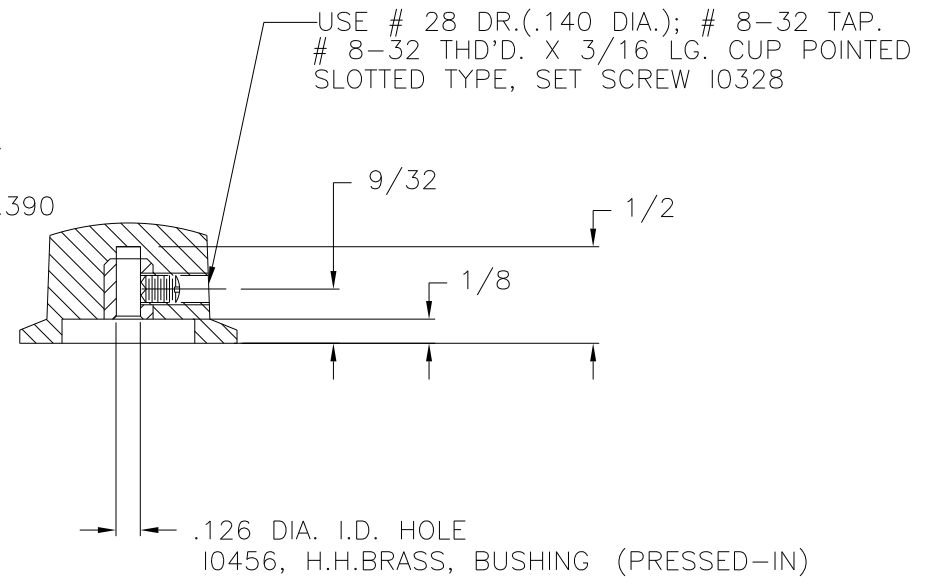
PAD PRINTED INDICATOR LINE IN-WHITE



1.12 DIA.



.69 DIA. MOLDED C'BORE
.320/.318 DIA. MOLDED HOLE



MATERIAL: G.P. PHENOLIC (B11)
COLOR: BLACK

TOLERANCES: UNLESS OTHERWISE SPECIFIED	DO NOT SCALE DRAWING				
DECIMALS: X.XXX ± .005 X.XX ± .015	MM: X.XX ± 0.15MM X.X ± 0.4MM	-	UPDATED/HAD TOOLBOX	EV.	8/20/02
FRACTIONS ± 1/64	ANG. ± 1°	CHANGES			