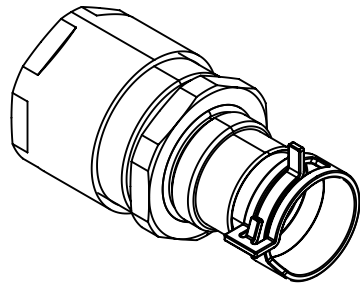
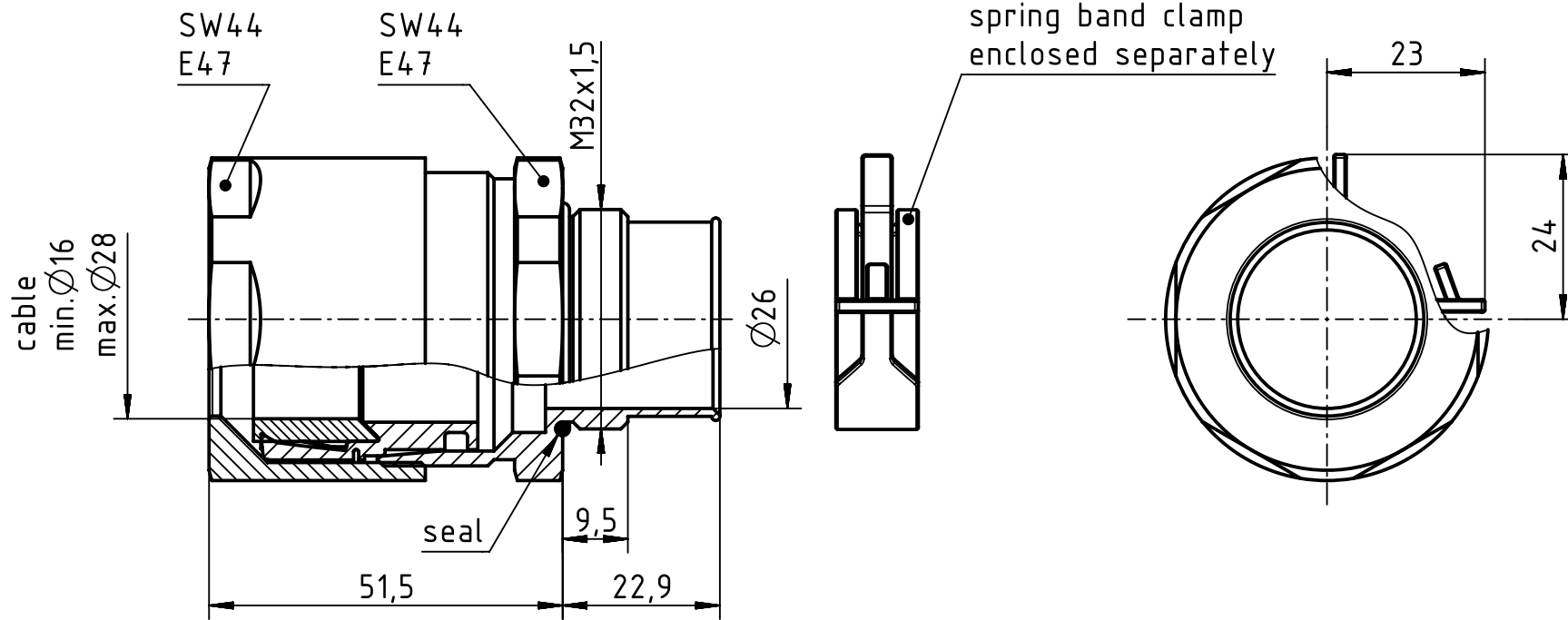


1 2 3 4 5 6

A
B
C
D



| | | | | | | |
|---|--|---|-------------------------|---|---------------------------|--|
| | All Dimensions in mm Original Size DIN A4 | | Scale 1:1 | Free size tol. | | Ref. |
| | | | Created by TEICHRIBR | Inspected by RIEPE | Standardisation GARSKE | Sub. |
| All rights reserved Department EL PD | | HARTING Electric GmbH & Co. KG D-32339 Espelkamp | | Title Spec. Cable Gland M32 Cable-Ø16-28 SBC | | Date 2019-05-03 |
| | | | | State Final Release | | Doc-Key / ECM-Nr. 100199940/UGD/005/C 500000150838 |
| | | | | Type TB | Number 19 00 000 5022 | Rev. C |
| | | | | | | Page 1/1 |