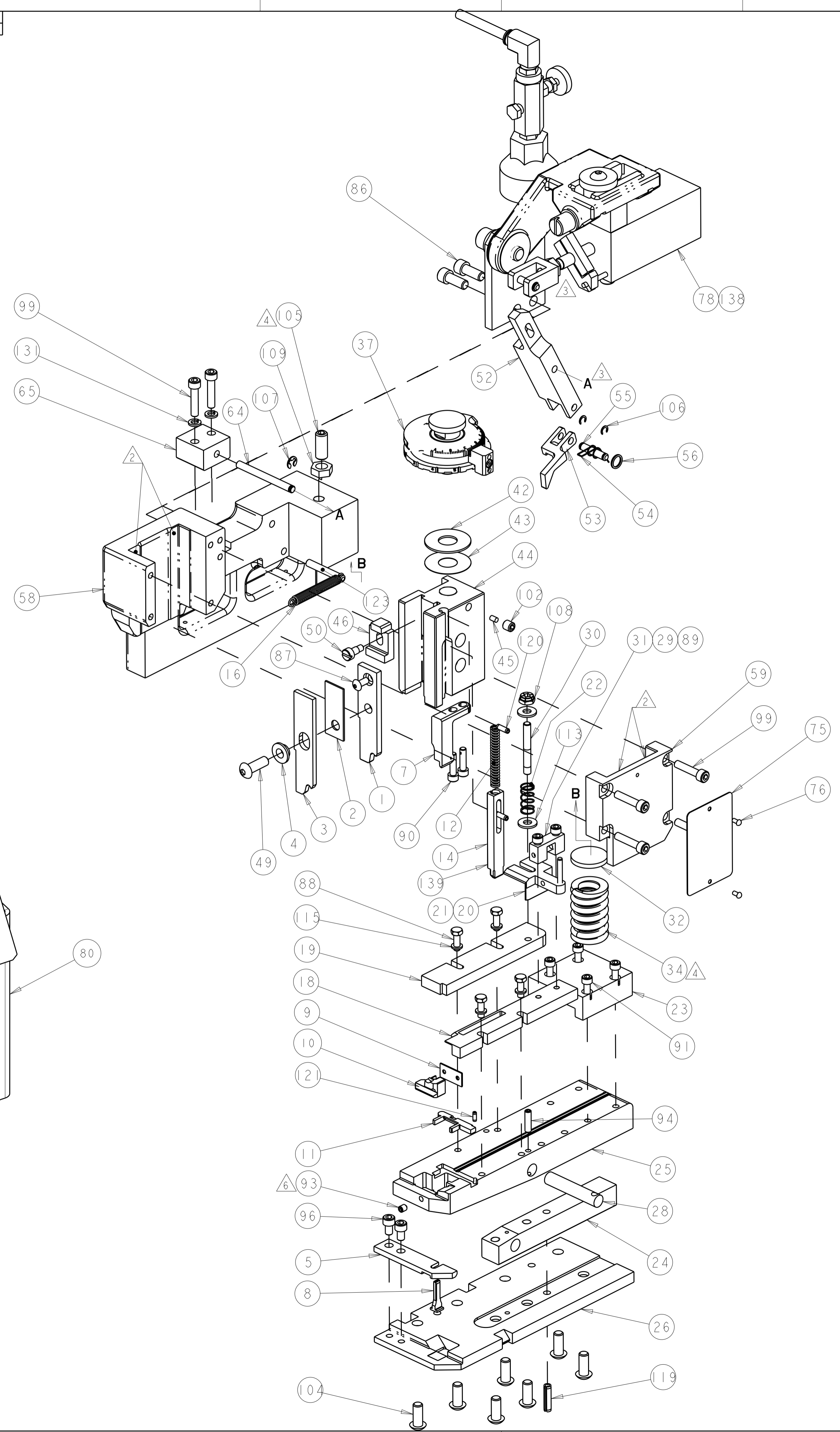
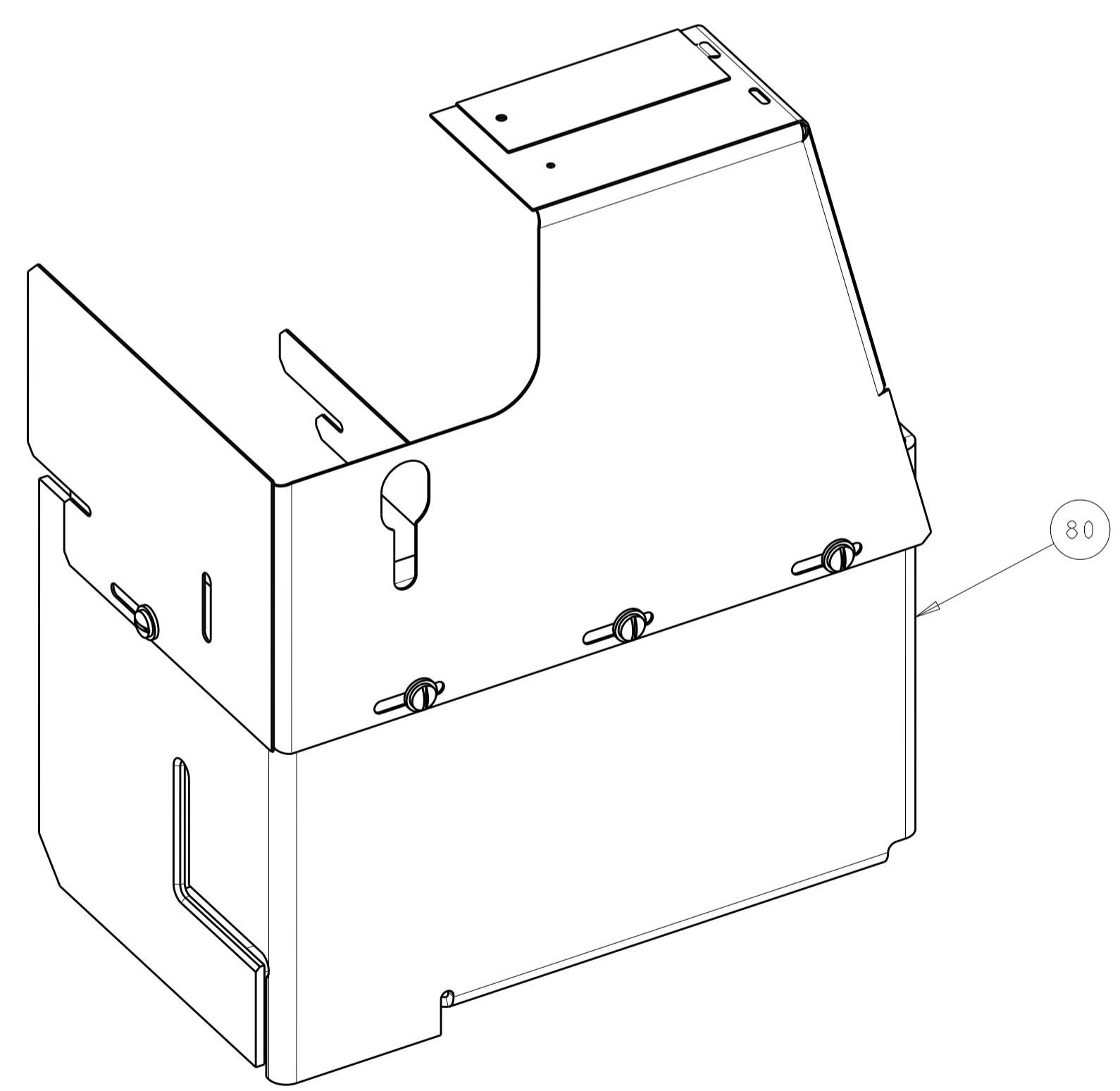


LOC		DIST		REVISIONS			
A		66		REV	DATE	BY	APPV
				1	SEE SHEET 1		



THIS DRAWING IS A CONTROLLED DOCUMENT.		OWN: R.O.WILSON 06FEB2008	TE Connectivity
DIMENSIONS: IN		CHK: R.O.WILSON 07FEB2008	
TOLERANCES UNLESS OTHERWISE SPECIFIED:		APVD: T. ERLIN 07FEB2008	NAME: END FEED HINGE BAR APPLICATOR
0 PLC ± 1 PLC ± 2 PLC ± 3 PLC ± 4 PLC ± ANGLES ±		PRODUCT SPEC	RESTRICTED TO
MATERIAL: -		FINISH: -	WEIGHT: -
CUSTOMER ACCESSIBLE PRODUCTION DRAWING		SCALE: 3:5	SHEET 2 OF 2 REV: H2