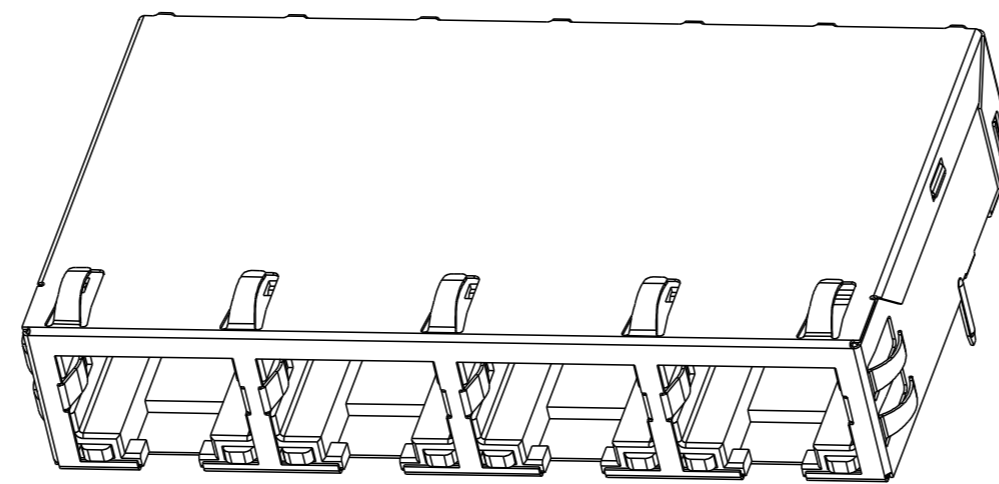
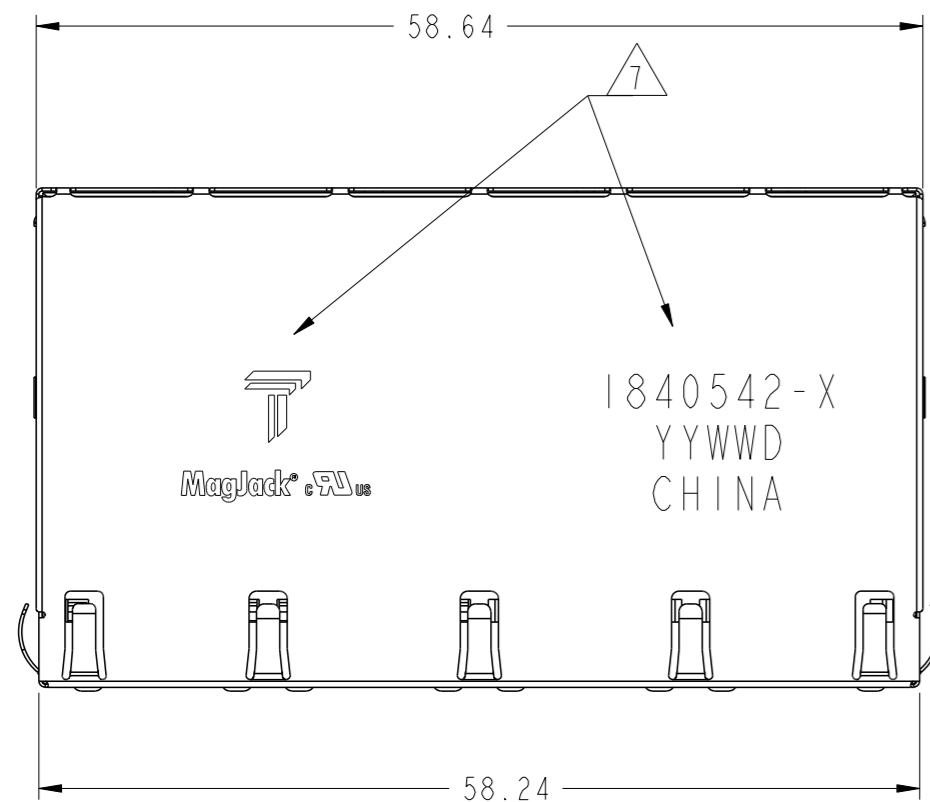


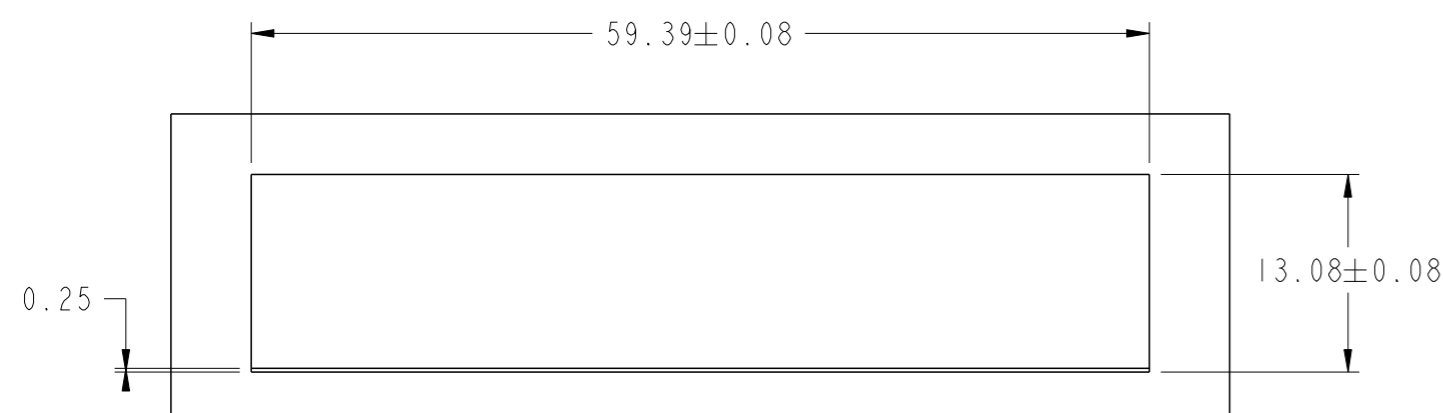
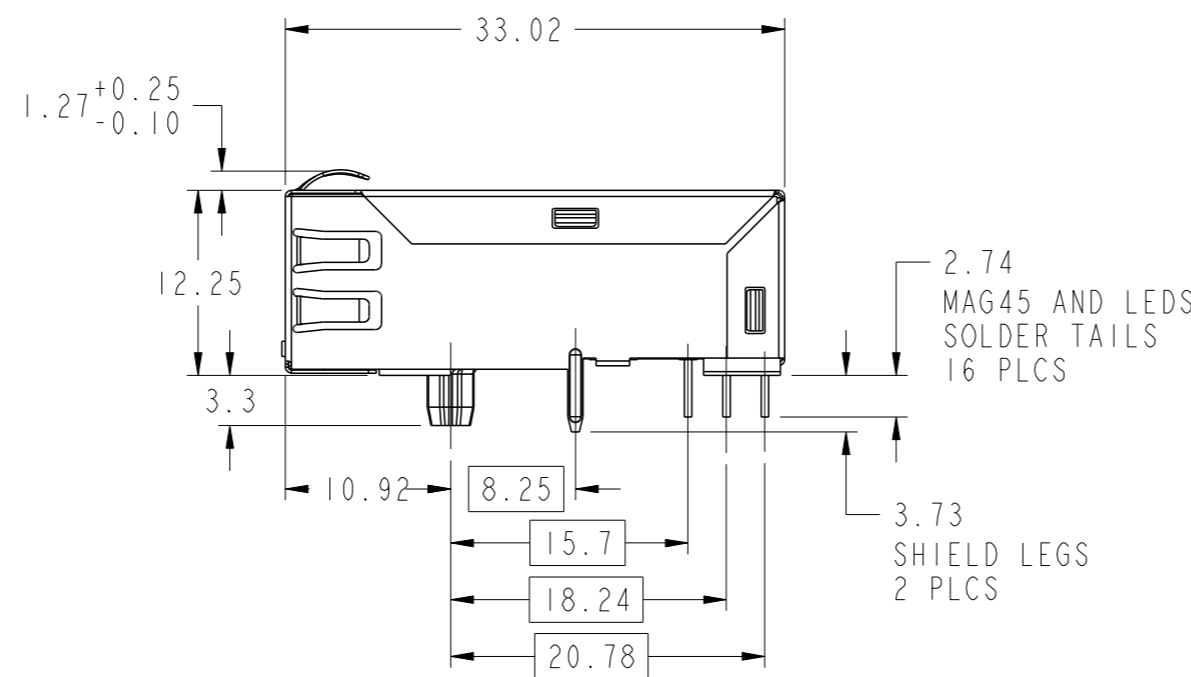
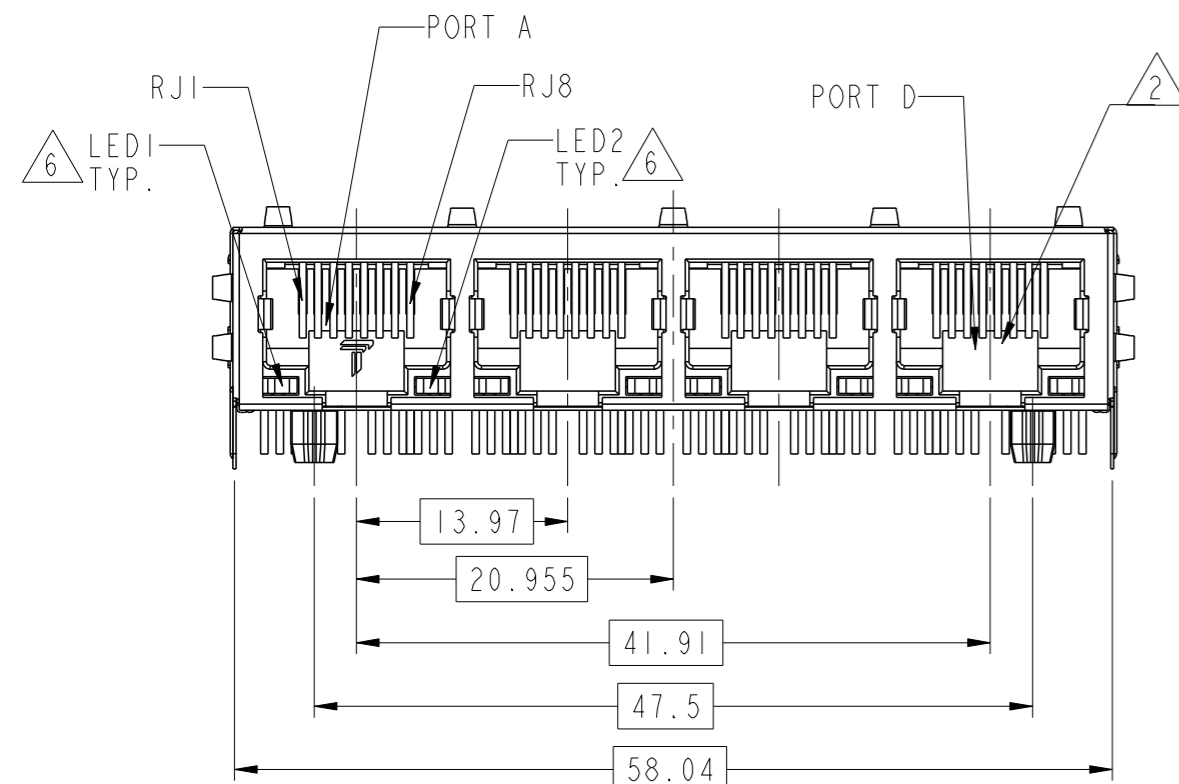
THIS DRAWING AND THE SUBJECT MATTER SHOWN THEREON ARE CONFIDENTIAL AND THE PROPERTY OF BEL/STEWART/TRP CONNECTOR AND SHALL NOT BE REPRODUCED, COPIED, OR USED IN ANY MANNER WITHOUT THE WRITTEN CONSENT OF TRP CONNECTOR.

PRODUCT MAY BE PROTECTED BY ONE OR MORE OF THE FOLLOWING US PATENTS:
 5736910 5939955 6425781 6428361 6554638 6840817 7123117
 7429195 7717749 7808751 6217391 6149050 7924130

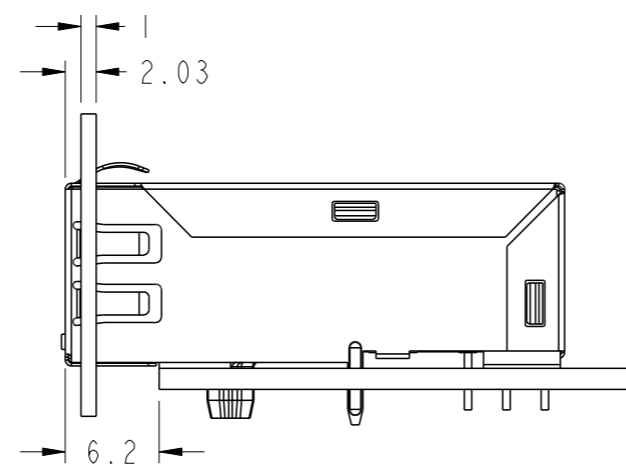
REVISIONS				
P	LTR	DESCRIPTION	DATE	APVD
E		LOGO CHANGE	03MAR2013	TY KZ
F		EC-1411035 COMPANY LOGO CHANGE	15JAN2015	TYR TYN



SCALE 2:1



SUGGESTED PANEL CUTOUT
SCALE 2:1



CONNECTOR ASSEMBLED
TO PANEL AND PCB
SCALE 2:1

1. MATERIALS

HOUSING: THERMOPLASTIC, BLACK, FLAMMABILITY RATING UL 94V-0
 SHIELD: BRASS, 0.20mm THICK
 PREPLATED WITH MIN 0.76um SEMI-BRIGHT NICKEL
 POST DIPPED WITH 2.54um MIN SAC SOLDER AT GROUND PINS.
 CONTACT: PHOSPHOR BRONZE, 0.46mm X0.3mm
 WITH 1.27um MIN OVERALL NICKEL UNDERPLATE AND
 SELECTIVE 1.27um MIN GOLD PLATING AT MATING INTERFACE
 SOLDER TAIL: COPPER CLADDED STEEL, 0.50mm SQUARE
 PLATED WITH 2.54um MIN MATTE TIN
 LIGHT PIPE: POLYCARBON, TRANSPARENT, RATING UL 94V-0

2 RJ45 CAVITY CONFORMS TO FCC RULES AND REGULATION PART 68 SUBPART F.

3. MAGNETICS

-APPLICATION: 10/100/1000 BASE-T
 -IMPEDANCE: 100 OHMS
 -TURNS RATIO (CHIP:CABLE): 1:1 ALL FOUR PAIRS
 -OPEN CIRCUIT INDUCTANCE (OCL): 350uH MIN @100kHz, 0.1VRMS,
 8mA DC BIAS FROM 0°C TO 70°C, ALL FOUR PAIRS
 -ALL FOUR PAIRS BI-DIRECTIONAL
 -PERFORMANCE @ 25°C:
 INSERTION LOSS (IL): 1.1dB MAX FROM 0.5MHz TO 100MHz
 RETURN LOSS (RL): 18dB MIN FROM 0.5MHz TO 40MHz
 12-20LOG(f/80)dB MIN FROM 40.1MHz TO 100MHz
 CROSSTALK ATTENUATION: 35dB MIN FROM 0.5MHz TO 40MHz
 33-20LOG(f/50)dB MIN FROM 40.1MHz TO 100MHz
 COMMON MODE REJECTION RATIO (CMRR): 30dB MIN FROM 0.5MHz TO 100MHz
 -ISOLATION VOLTAGE: COMPLIES WITH IEEE802.3 2002, PARA 40.6.1.1, ITEM a and b.

4. OPERATING TEMPERATURE: 0°C ~ 70°C

5. THE MAGNETIC CIRCUIT ON ALL FOUR CHANNELS ARE SYMMETRICAL AND SUPPORT AUTO-MDIX OPERATION.

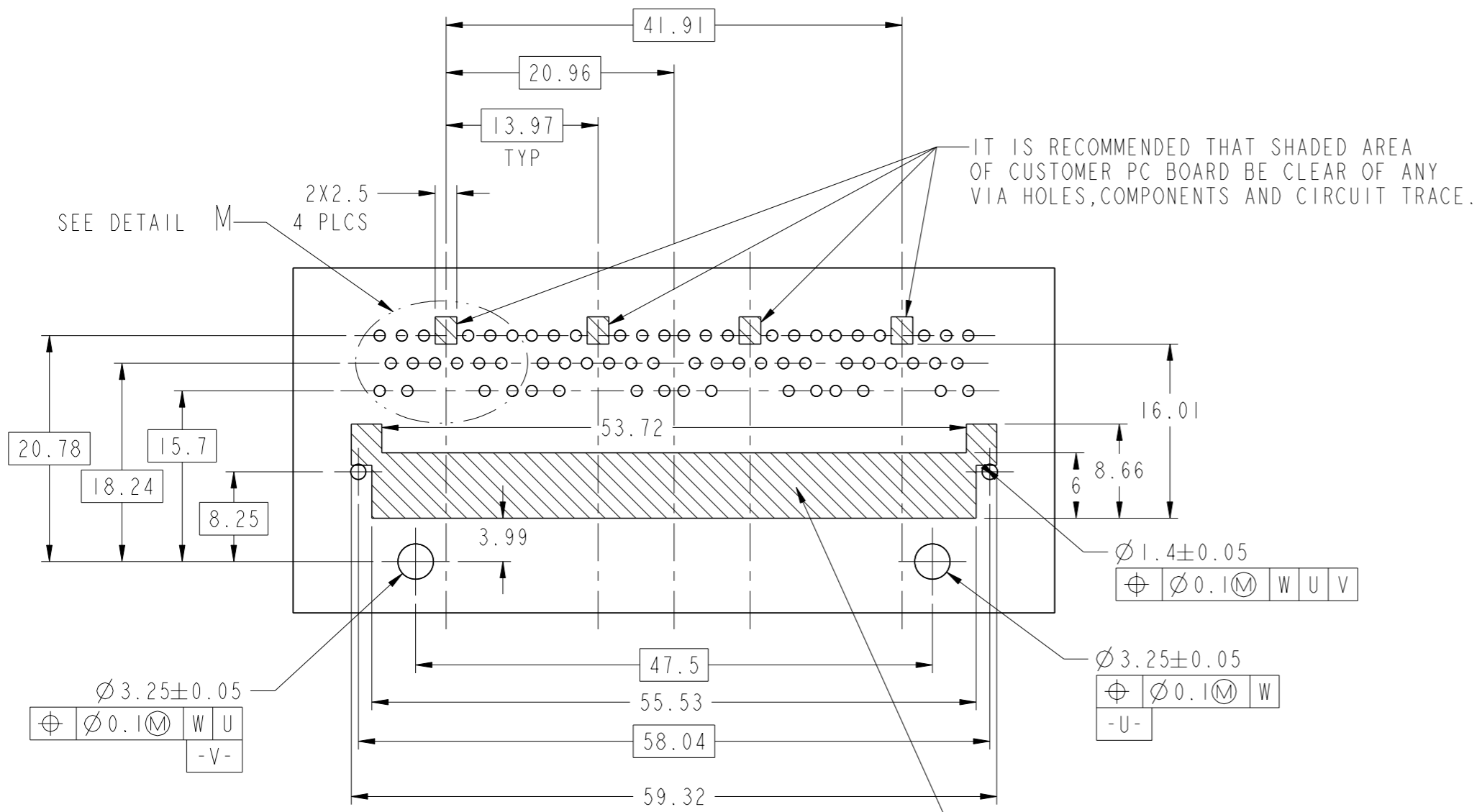
6. LED IS DRIVEN WITH CONSTANT CURRENT AT APPROX 20mA.
 LED COLOR: DOMINANT WAVELENGTH (λD): GREEN 568 nm TYP. at IF=20mA
 FORWARD VOLTAGE (VF): GREEN 2.2V TYP. at IF=20mA
 DOMINANT WAVELENGTH (λD): YELLOW 588 nm TYP. at IF=20mA
 FORWARD VOLTAGE (VF): YELLOW 2.2V TYP. at IF=20mA
 DOMINANT WAVELENGTH (λD): ORANGE 608 nm TYP. at IF=20mA
 FORWARD VOLTAGE (VF): ORANGE 2.2V TYP. at IF=20mA

7. TRP CONNECTOR LOGO, PART NUMBER, DATE CODE, COUNTRY OF ORIGIN, AGENCY LOGO TO BE MARKED IN APPROXIMATE LOCATION SHOWN.

8. THESE PARTS ARE RECOMMENDED FOR WAVE SOLDERING PROCESS, PEAK SOLDERING TEMPERATURE IS 260°C MAX, 10 SECONDS MAX.

GREEN/ORANGE	YELLOW	1840542-3
GREEN	YELLOW	1840542-2
GREEN	GREEN	1840542-1
LED1	LED2	PART NUMBER

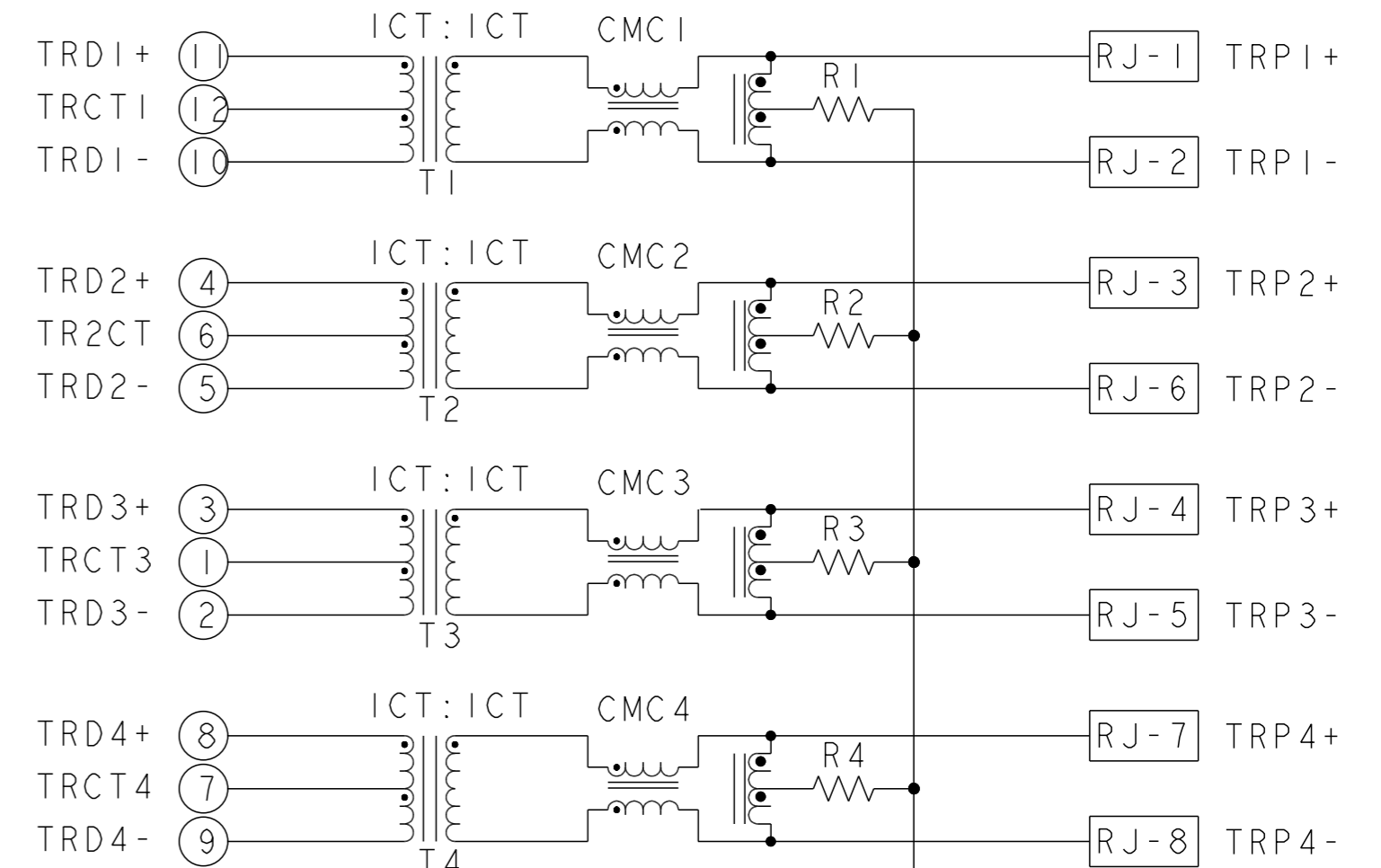
THIS DRAWING IS A CONTROLLED DOCUMENT.		DWN LINDA DING 30AUG2007	trp CONNECTOR a bel group DONGGUAN CHINA	
DIMENSIONS: mm		CHK KEITH ZHU 30AUG2007		
TOLERANCES UNLESS OTHERWISE SPECIFIED:		APVD TEDDY XIONG 30AUG2007		
0 PLC ± 1 PLC ±0.25 2 PLC ±0.25 3 PLC ±0.25 4 PLC ± ANGLES ± APPLICATION SPEC		MODEL NAME MAGJACK GANG NON-POE		
PRODUCT SPEC		DESC 1X4 8G53 GIGABIT TAB DOWN LOW PROFILE W/ LED		RESTRICTED TO
		SIZE A2	CAGE CODE C-1840542	
		CUSTOMER DRAWING		SCALE 1:1 SHEET 1 OF 2 REV F



SUGGESTED PCB FOOTPRINT COMPONENT SIDE SCALE 2:1

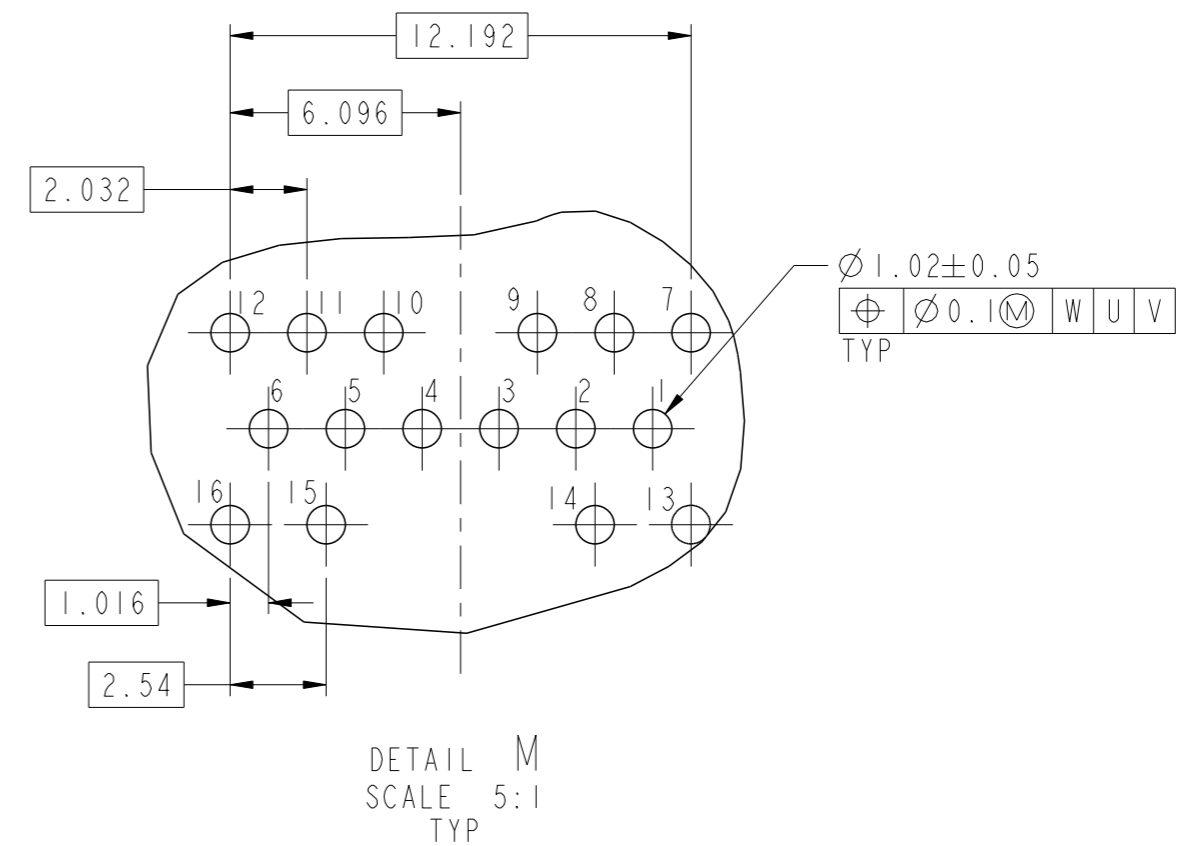
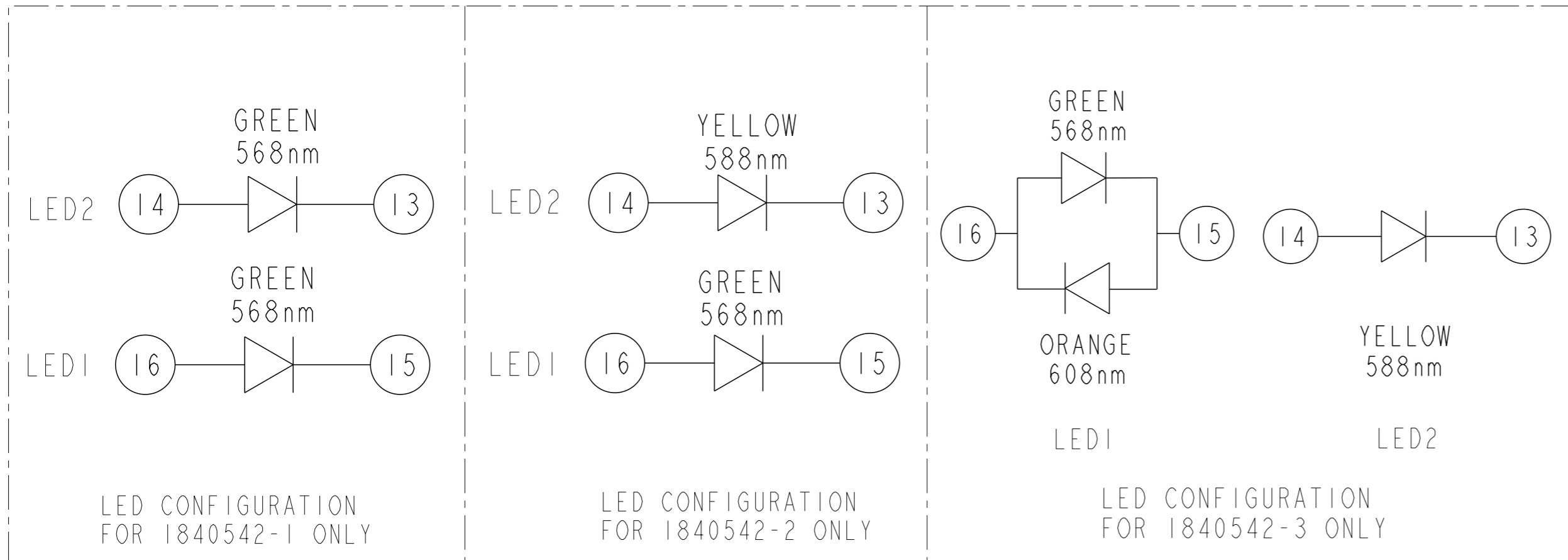
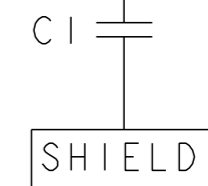
IT IS RECOMMENDED THAT SHADED AREA OF CUSTOMER PC BOARD BE CLEAR OF ANY VIA HOLES, COMPONENTS, GROUND COPPER AND CIRCUIT TRACE.

8G53 GIGABIT CIRCUIT



R1-R4=75 Ohms, 1/16W, 5% RESISTORS

CI=1000 pF, 3kV CAPACITOR



THIS DRAWING IS A CONTROLLED DOCUMENT.		DWN LINDA DING 30AUG2007	<p>trp CONNECTOR a bel group</p>	DONGGUAN CHINA
DIMENSIONS: mm		CHK KEITH ZHU 30AUG2007		
TOLERANCES UNLESS OTHERWISE SPECIFIED:		APVD TEDDY XIONG 30AUG2007		
0 PLC ± 1 PLC ±0.25 2 PLC ±0.25 3 PLC ±0.25 4 PLC ± ANGLES ± APPLICATION SPEC		MODEL NAME		
PRODUCT SPEC		MAGJACK GANG NON-POE	DESC	IX4 8G53 GIGABIT TAB DOWN LOW PROFILE W/ LED
		SIZE A2	CAGE CODE	DRAWING NO C-1840542
		CUSTOMER DRAWING		RESTRICTED TO -
		SCALE 1:1	SHEET 2 OF 2	REV F