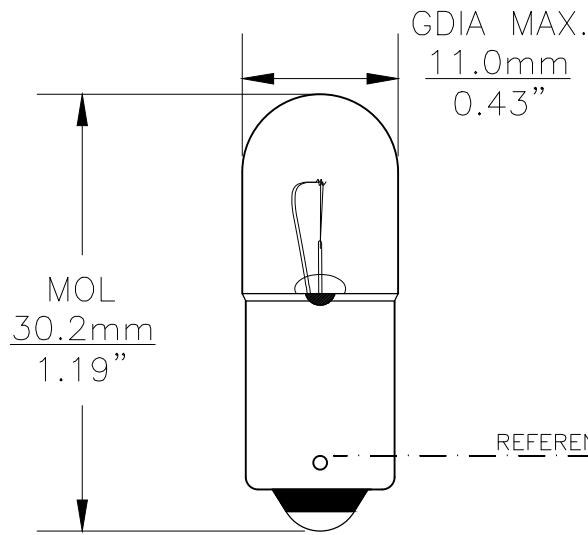
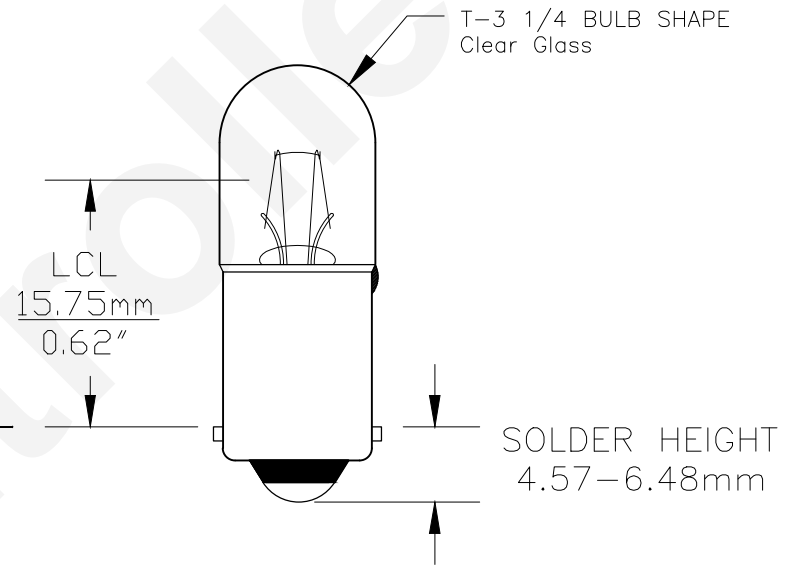




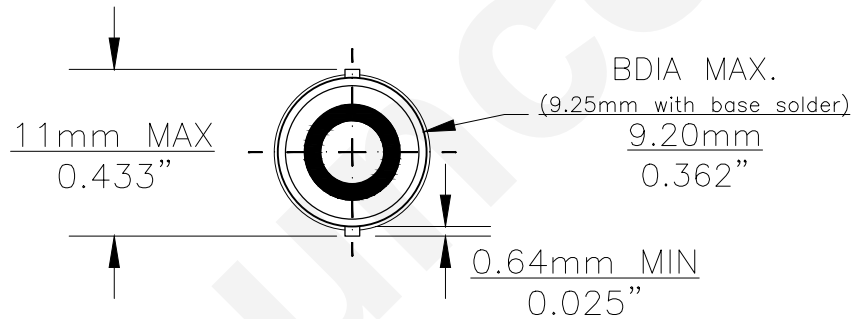
PART NO.	BASE TYPE	DESIGN VOLTS	DESIGN AMPS	MSCD	FILAMENT TYPE	AVERAGE LIFE HOURS	REVISIONS			
							REV #	DESCRIPTION	DATE	APPROVED
1820	MINIATURE BAYONET (BA9s)	28.0V	0.10±10%	1.6 ±25%	C-2F	1000	1	ADDRESS CHANGE	12/21/2005	D.C.
							2	REDRAWN FOR ADDITIONAL VIEWS	11/07/2017	R.M.



0° VIEW



90° VIEW



BASE BOTTOM VIEW



UNLESS OTHERWISE SPECIFIED: DIMENSIONS ARE IN INCHES TOLERANCES		CEC INDUSTRIES LTD			
DECIMALS	ANGULAR	599 BOND STREET		LINCOLNSHIRE, IL 60069	
.XX ± .05	± 0.5°				
.XXX ± .010					
FRACTIONAL	± 1/64				
DRAWN	DATE	TITLE			
ELIZABETH SONANES	03/02/2001	LIGHT BULB NO. 1820			
CHECKED	SIZE	FSCM NO.	DWG NO.	REV	
	A		1820	2	
DESIGN	SCALE	PLOT SCALE	SHEET 1 OF 1		
MATERIAL	FILE	DRAWING NOT TO SCALE			
	1820.pdf				