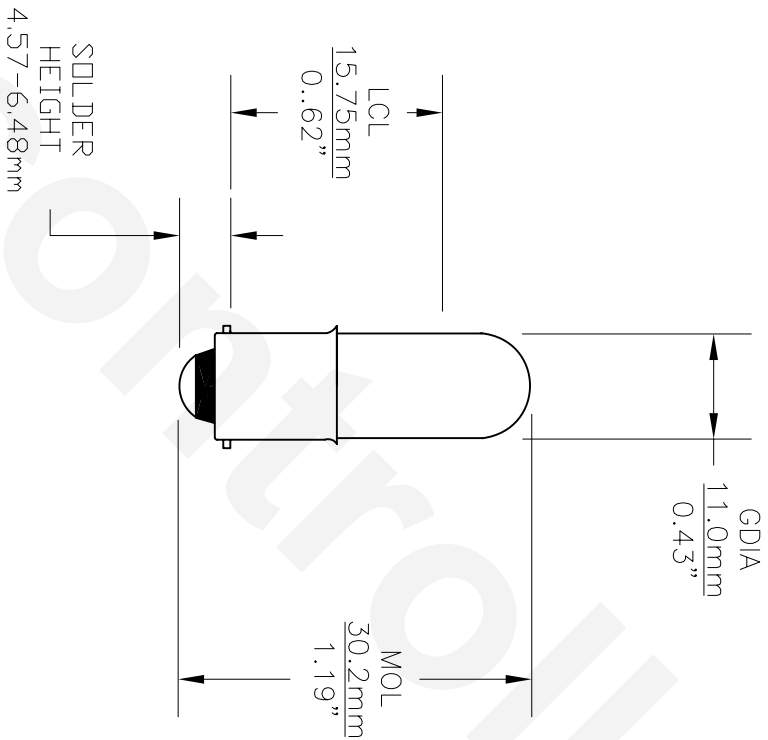


PART NO.	BASE TYPE	DESIGN VOLTS	DESIGN AMPS	MSCD	FILAMENT TYPE	AVERAGE LIFE HOURS
1819	MINIATURE BAYONET BA9s	28	0.04 ±10%	0.34 ±20%	C-2F	2500

REVISIONS			
REV	DESCRIPTION	DATE	APPROVED
1	ADDITIONAL DIMENSIONS	04/23/2007	D.C.



UNLESS OTHERWISE SPECIFIED:
 DIMENSIONS ARE IN INCHES
 TOLERANCES
 DECIMALS .XX ± .05 ANGULAR ± 0.5°
 .XXX ± .010 FRACTIONAL ± 1/64

DRAWN Elizabeth Sonanes		DATE 04/16/2001		599 BOND STREET CEC INDUSTRIES LTD LINCOLNSHIRE, IL 60069	
CHECKED				TITLE LIGHT BULB NO. 1819	
DESIGN		SIZE A		FSCM NO.	
MATERIAL		SCALE		DWG NO. 1819	
FILE 1819.dwg		PLOT SCALE		SHEET 1 OF 1	
				REV 1	

DO NOT SCALE DRAWING