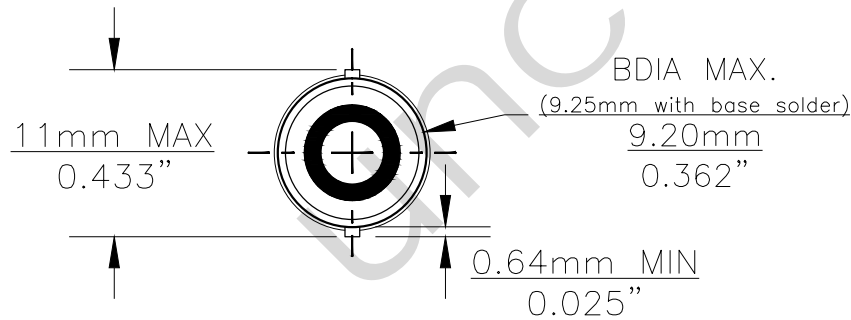
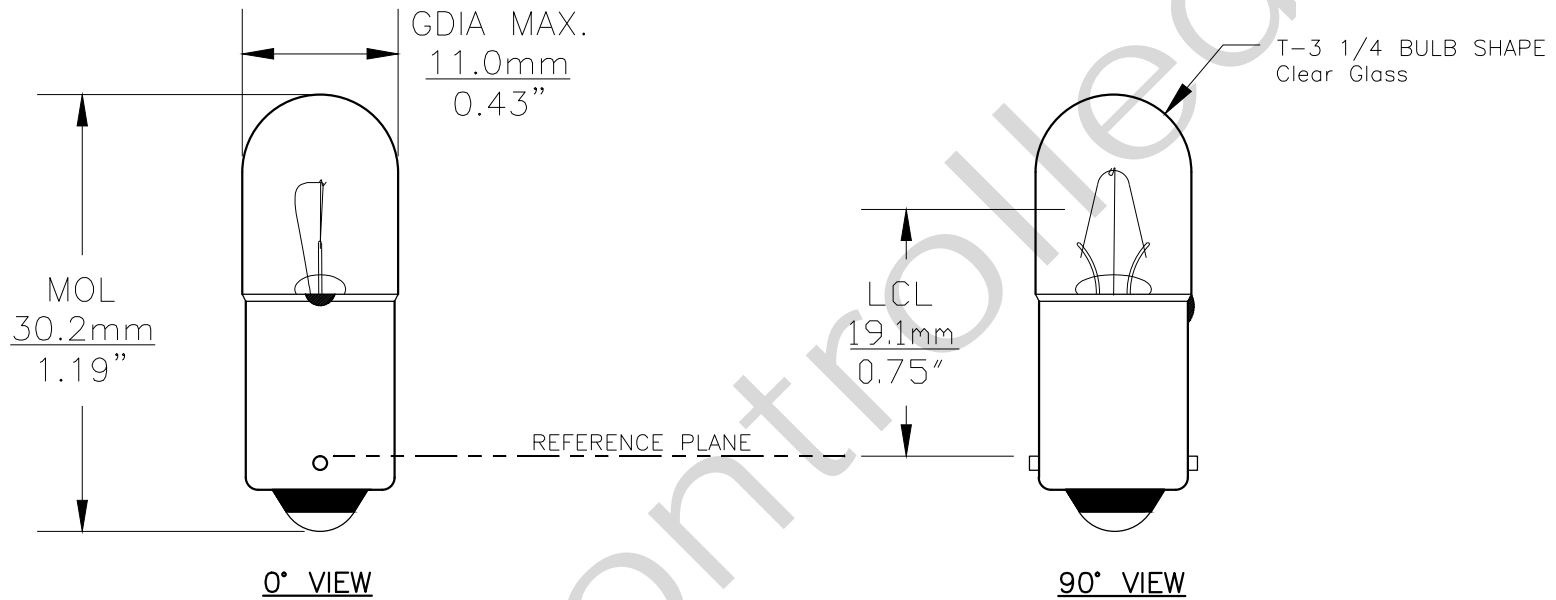




PART NO.	BASE TYPE	DESIGN VOLTS	DESIGN AMPS	MSCD	FILAMENT TYPE	AVERAGE LIFE HOURS	REVISIONS			
							REV #	DESCRIPTION	DATE	APPROVED
1815	MINIATURE BAYONET (BA9s)	14.0V	0.20±10%	1.4±20%	C-2V	3000	1	REDRAWN	12/20/2005	D.C.
							2	ADDED 0° VIEW & BASE BOTTOM VIEW	04/01/2016	R.M.
							3	REVISED AMPS TOLERANCE FROM 20%	08/19/2021	M.L.



Note: Made according to SAE specifications

UNLESS OTHERWISE SPECIFIED: DIMENSIONS ARE IN INCHES TOLERANCES		CEC INDUSTRIES LTD			
DECIMALS	ANGULAR	599 BOND STREET		LINCOLNSHIRE, IL 60069	
.XX ± .05	± 0.5°				
.XXX ± .010					
FRACTIONAL	± 1/64				
DRAWN ELIZABETH SONANES	DATE 04/16/2001	TITLE LIGHT BULB NO. 1815			
CHECKED	SIZE A	FSCM NO.	DWG NO. 1815	REV 3	
DESIGN	SCALE	PLOT SCALE	SHEET 1 OF 1		
MATERIAL	FILE 1815.pdf	DRAWING NOT TO SCALE			

BASE BOTTOM VIEW