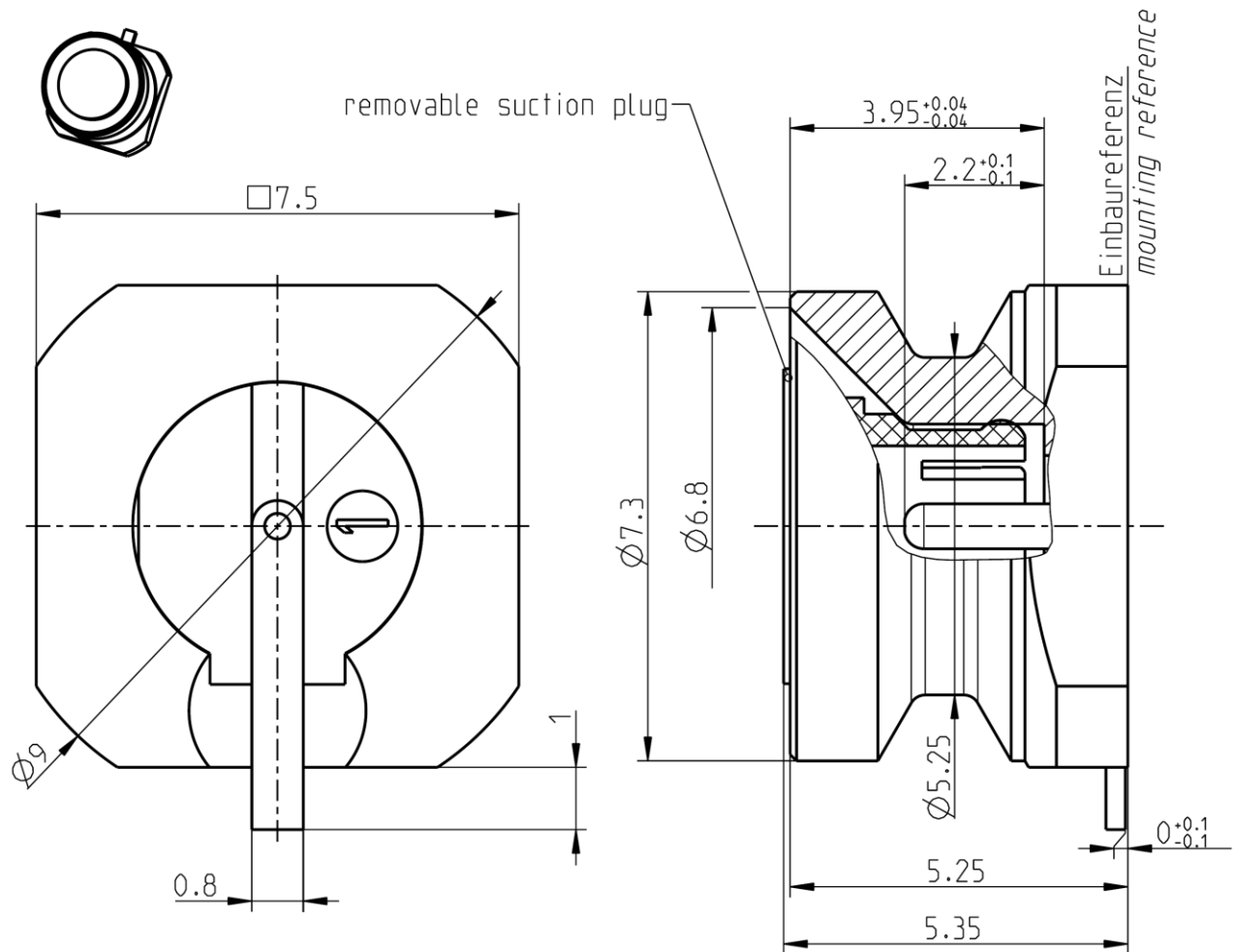


Long-wipe
SMP

STRAIGHT PLUG PCB
CATCHERS MIT

17S14F-40ML5



All dimensions are in mm; tolerances according to ISO 2768 m-H

Interface

Related to
According to

MIL-STD-348A, Fig. 326
Rosenberger 17S000-000

Documents

PCB Layout

B 127a

Material and plating

Connector parts

Center contact
Outer contact
Dielectric

Material

Brass
Brass
LCP

Plating

AuroDur®, gold plated
AuroDur®, gold plated

Dieses Dokument ist urheberrechtlich geschützt • This document is protected by copyright • Rosenberger Hochfrequenztechnik GmbH & Co. KG

RF_35/05.10/6.0

Long-wipe
SMP

STRAIGHT PLUG PCB
CATCHERS MIT

17S14F-40ML5

Electrical data

Impedance 50 Ω
 Frequency DC to 10 GHz
 Return loss ≥ 28 dB, DC to 3 GHz
 ≥ 23 dB, 3 to 6 GHz
 Insertion loss ≤ 0.05 x √f(GHz) dB
 Insulation resistance ≥ 5 GΩ
 Center contact resistance ≤ 6.0 mΩ
 Outer contact resistance ≤ 2.0 mΩ
 Test voltage (at sea level) 500 V rms
 Working voltage (at sea level) 335 V rms
 Contact Current 1.2A DC max.

- VSWR in application depends decisive on PCB layout -

Mechanical data

Mating cycles ≥ 1000
 Center contact captivation: ≥ 7 N
 Engagement force
 - catchers mit 9 N max.
 Disengagement force
 - catchers mit 2.2 N min.

Environmental data

Temperature range -65 °C to +155 °C
 Rapid change of temperature (related to SMP) IEC 60068-2-14 (-65°C to 155°C, 1h dwell, 50 cycles)
 Vibration (related to SMP) MIL-STD-202, Method 204, Condition B
 Shock (related to SMP) MIL-STD-202, Method 213, Condition A
 Damp heat (related to SMP) IEC 60068-2-78 (40°C, 93% RH, 56d)
 High temperature endurance IEC 60169-1, Sub-clause 18 (+155°C, 250 hours)
 Max. soldering temperature IEC 61760-1, +260 °C for 10 sec.
 RoHS compliant

Tooling

N/A

Suitable cables

N/A

Weight

Weight 1.2 g/pce

While the information has been carefully compiled to the best of our knowledge, nothing is intended as representation or warranty on our part and no statement herein shall be construed as recommendation to infringe existing patents. In the effort to improve our products, we reserve the right to make changes judged to be necessary.

For the installation of the electrotechnical equipment, particular electrotechnical expertise is required.



Draft	Date	Approved	Date	Rev.	Engineering change number	Name	Date
S. Mühlbacher	31/01/12	Chr. Janßen	14.10.20	c00	20-1927	S. Huber-Siegl	14.10.20

Rosenberger Hochfrequenztechnik GmbH & Co. KG P.O.Box 1260 D-84526 Tittmoning Germany www.rosenberger.de				Tel. : +49 8684 18-0 Email : info@rosenberger.de		Page 2 / 2	
--	--	--	--	--	--	---------------	--