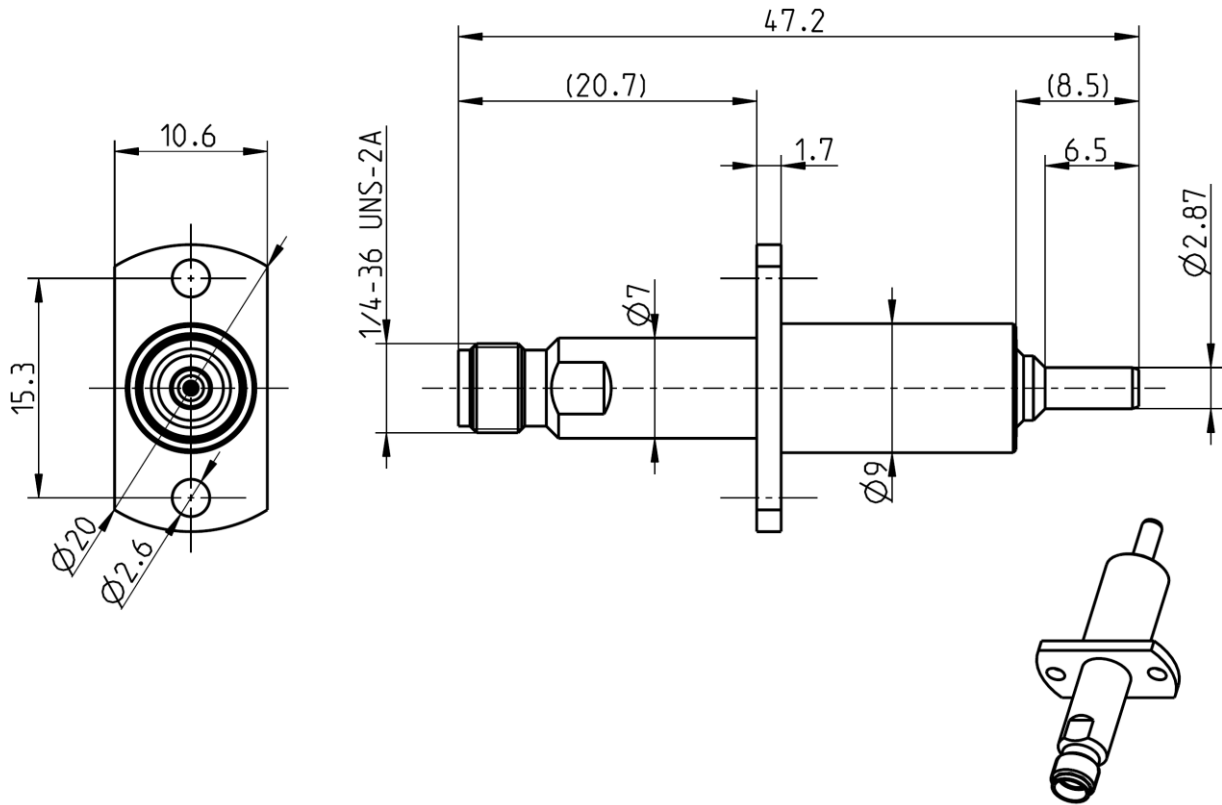


Longwipe-SMP

Adaptor Floating Longwipe-SMP Jack – SMA Jack

17K732-K0AS5



All dimensions are in mm; tolerances according to ISO 2768 m-H

Interface

Longwipe- SMP
SMA according to

Spring loaded center – and outer contact
IEC 60169-15; EN 122110; MIL-STD-348

Documents

Ericsson Product specification
Ericsson Quality specification

1301-RPT 501 38 Uen
105 63-2031 Uen

Material and plating

Connector parts

Center contacts
Outer contact SMP side
Outer contact SMA side
Body
Spring
Dielectric

Material

CuBe
Stainless steel
Brass
Brass
Stainless steel
PTFE

Plating

AuroDur®, gold plated
Passivated
Flash white bronze over silver(e.g. Optargen®)
Flash white bronze over silver(e.g. Optargen®)
Passivated

Technical Data Sheet

Rosenberger

Longwipe-SMP

Adaptor Floating Longwipe-SMP Jack – SMA Jack

17K732-K0AS5

Electrical data

Impedance	50 Ω
Frequency	DC to 6 GHz
Return loss	≥ 23 dB, DC to 3 GHz ≥ 20 dB, 3 to 6 GHz
Insertion loss	≤ 0.05 x √f(GHz) dB, DC to 6 GHz
Insulation resistance	≥ 5 GΩ
Center contact resistance	≤ 8 mΩ, Longwipe- SMP side; ≤ 3 mΩ, SMA side
Outer contact resistance	≤ 4 mΩ, Longwipe- SMP side; ≤ 2 mΩ, SMA side
Test voltage	500 V rms
Working voltage	335 V rms

Mechanical data

	Longwipe- SMP side	SMA side
Mating cycles	≥ 1000	≥ 500
Center contact captivation: axial	≥ 15 N	
Center contact	≤ 2 N at 1.4mm spring travel	
Outer contact	≤ 8 N at 2mm spring travel	
Radial misalignment	≤ 0.35mm	

Environmental data

Temperature range	-40°C to +85°C
Thermal shock	MIL-STD-202, Method 107, Condition B
Vibration	MIL-STD-202, Method 204, Condition B
Shock	MIL-STD-202, Method 213, Condition A
Moisture resistance	MIL-STD-202, Method 106
RoHS	compliant

Tooling

N/A

Suitable cables

N/A

Weight

Weight 13.8 g/pce

While the information has been carefully compiled to the best of our knowledge, nothing is intended as representation or warranty on our part and no statement herein shall be construed as recommendation to infringe existing patents. In the effort to improve our products, we reserve the right to make changes judged to be necessary.

For the installation of the electrotechnical equipment, particular electrotechnical expertise is required.



Draft	Date	Approved	Date	Rev.	Engineering change number	Name	Date
Weidensp. R.	07.07.10	Chr. Janßen	21.10.20	e00	20-1927	S. Huber-Siegl	21.10.20

Rosenberger Hochfrequenztechnik GmbH & Co. KG
P.O.Box 1260 D-84526 Tittmoning Germany
www.rosenberger.de

Tel. : +49 8684 18-0
Email : info@rosenberger.de

Page
2 / 2