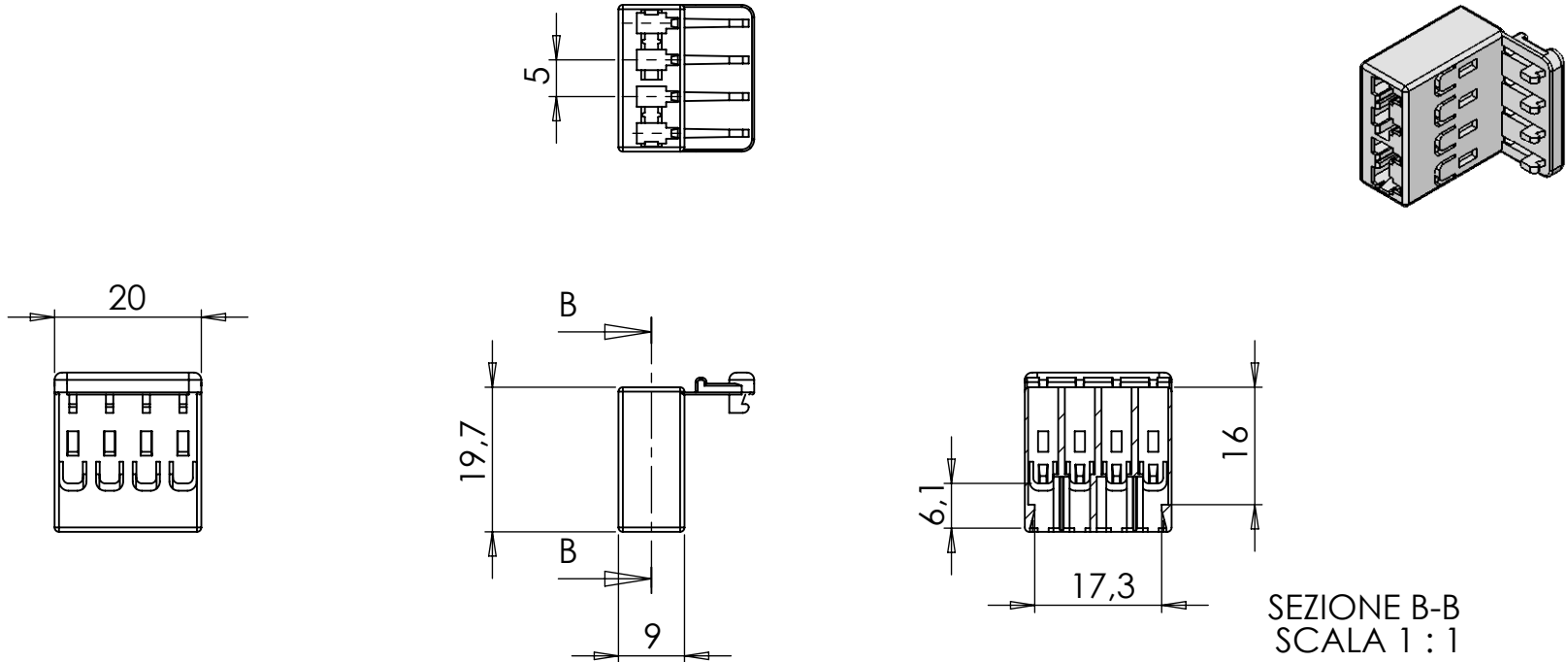


This drawing and all informations contained here can not be used or reproduced, integrally or partially, without written authorization by Colombo Sergio & Figli.



SEZIONE B-B
SCALA 1 : 1

INDEX		MODIFICATION		DATE
COLOMBO SERGIO e Figli S.r.l. 20063 CERNUSCO S/N - VIA COMO, 11 TEL +39.02.9210.7404 - FAX +39.02.9210.0217 http://www.cscolombo.com - e-mail: info@cscolombo.com				
SCALE	CAD REFER	SIZE	INDEX 0	
1:1	Y:\dis\es\p5\dsb\tavole\	A4	09/03/2005	
BASE CODE		DESCRIPTION		
CS-P504DSB		4 POLES CONNECTOR FOR PCB		

DIMENSIONS WITHOUT TOLERANCES		CS-P504DSB/PAV0	PA6/66 UL94 V-0	
$\angle \pm 2^\circ$	0 - 6	± 0.1	CS-P504DSB/PAV2NF	PA6 UL94 V-2 GWIT 775
	6 - 30	± 0.2	CS-P504DSB/PPV2NF	PP UL94 V-2 GWIT 775
	> 30	± 0.3	PART NUMBER	MATERIAL

CS-P504DSB/PAV2	PA66 UL94 V-2
-----------------	---------------

E D C B A

1

2

3

4

1

2

3

4