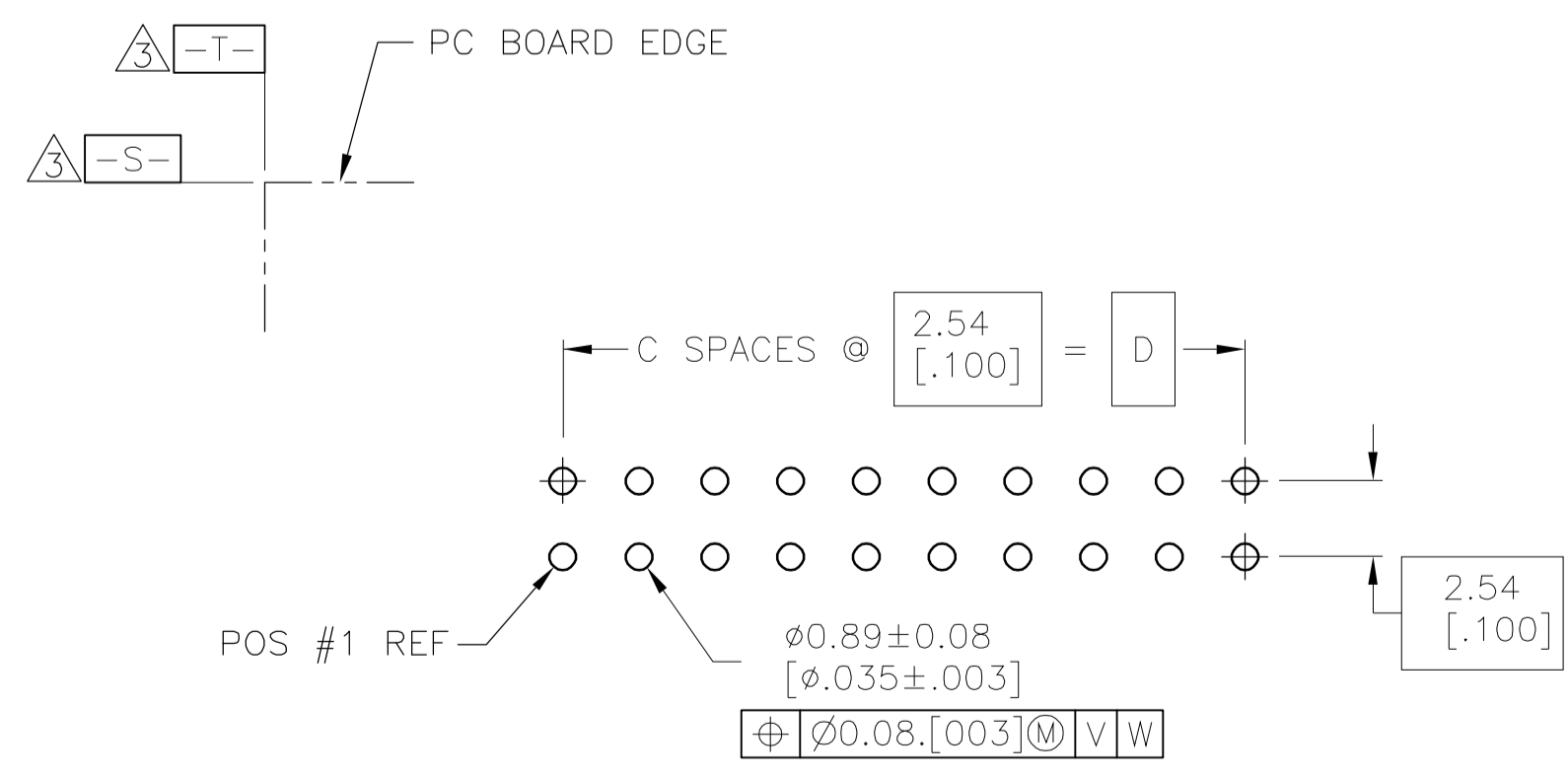
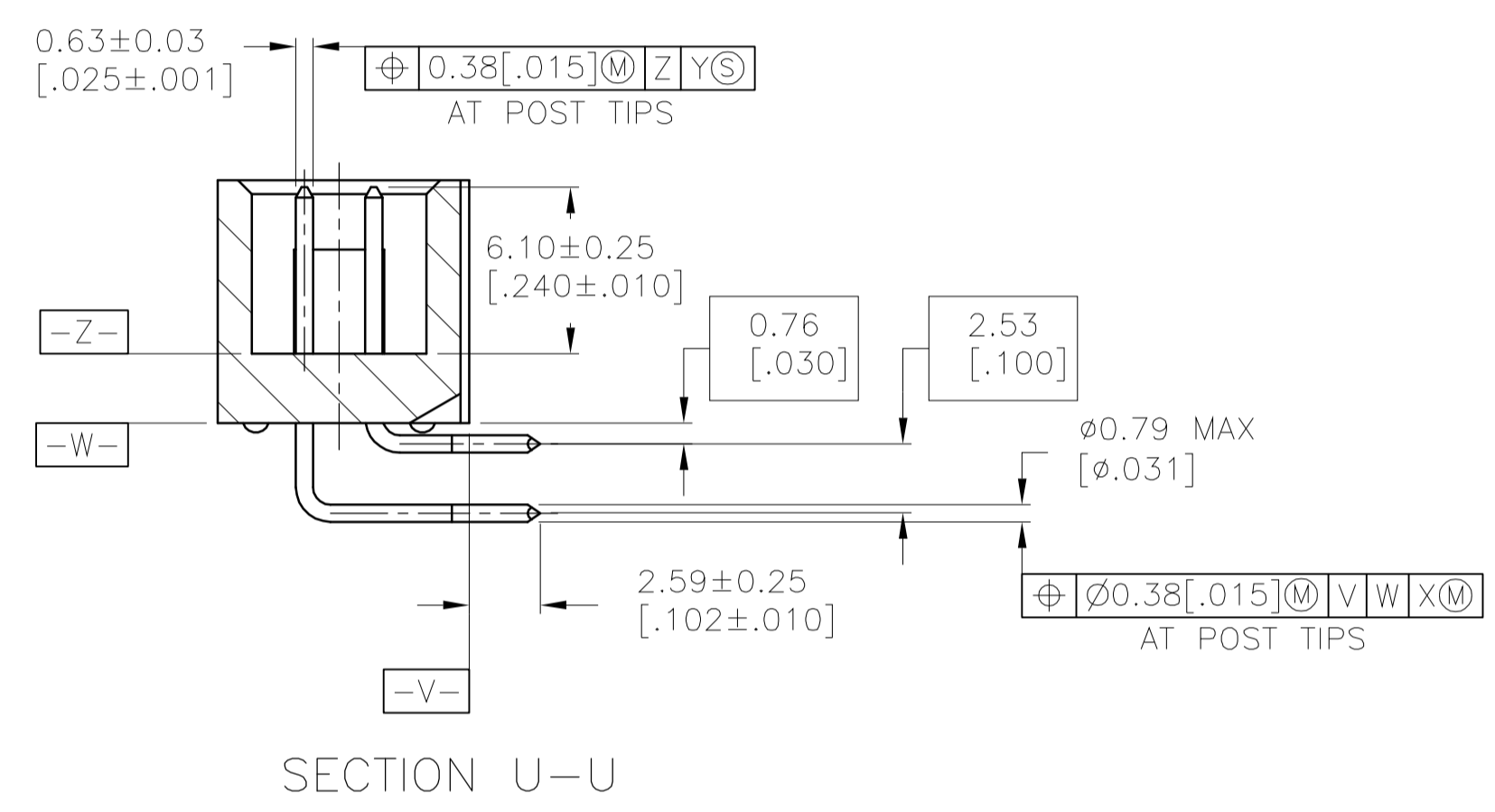
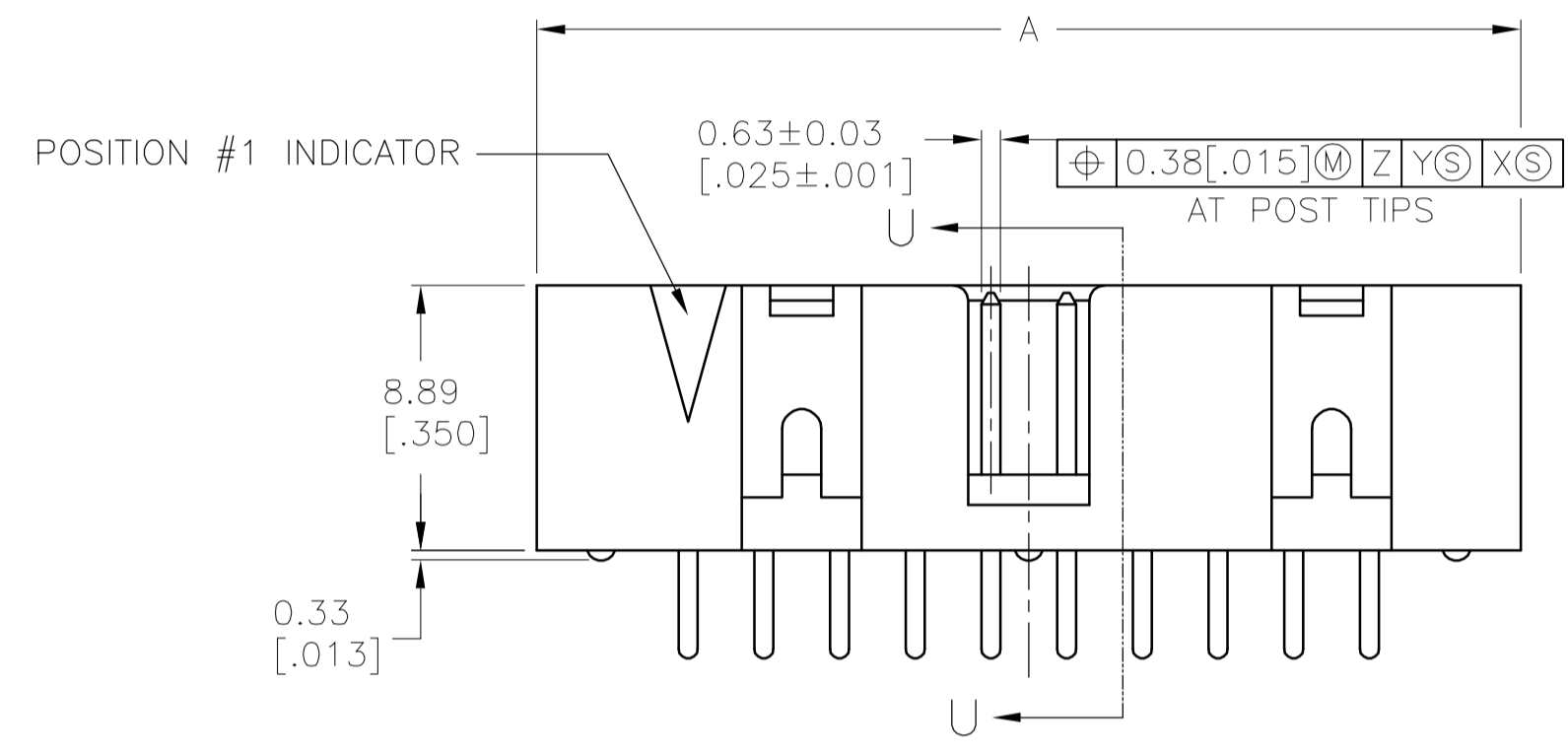


- 1 HOUSING: PBT, UL94V-0, COLOR: BLACK.
POSTS: PHOSPHOR BRONZE.
- 2 POSTS: 0.00038[.000015] MIN GOLD ON MATING AREA, 0.00254[.000100] MIN TIN ON SOLDER END, ALL OVER 0.00127[.000050] MIN NICKEL ON ENTIRE POST.
- 3 DATUMS S & T TO BE ESTABLISHED BY CUSTOMER.
- 4 NO KEYING SLOT ON THIS END FOR 10 & 14 POSITION ASSEMBLIES.
- 5 NO KEYING SLOT ON THIS END FOR 10 POSITION ASSEMBLY.



RECOMMENDED PC BOARD LAYOUT
(VIEWED FROM CONNECTOR SIDE)

OBsolete	D	C	B	A	NO OF POS	PART NUMBER
	73.66 [2.900]	29	81.28 [3.200]	83.82 [3.300]	60	1-1761604-6
	60.96 [2.400]	24	68.58 [2.700]	71.12 [2.800]	50	1-1761604-5
	48.26 [1.900]	19	55.88 [2.200]	58.42 [2.300]	40	1-1761604-3
	40.64 [1.600]	16	48.26 [1.900]	50.80 [2.000]	34	1-1761604-1
	30.48 [1.200]	12	38.10 [1.500]	40.64 [1.600]	26	1761604-9
	22.86 [0.900]	9	30.48 [1.200]	33.02 [1.300]	20	1761604-7
	17.78 [0.700]	7	25.40 [1.000]	27.94 [1.100]	16	1761604-6
	15.24 [0.600]	6	22.86 [0.900]	25.40 [1.000]	14	1761604-5
	10.16 [0.400]	4	17.78 [0.700]	20.32 [0.800]	10	1761604-3

THIS DRAWING IS A CONTROLLED DOCUMENT.

DIMENSIONS: MM[INCHES]	TOLERANCES UNLESS OTHERWISE SPECIFIED:	0 PLC ± -	1 PLC ± -	2 PLC ± -	3 PLC ± 0.13[.005]	4 PLC ± -	ANGLES ± -
DIM: B. CRISAMORE 30JUN05 CHK: S. BOLASH 30JUN05 APD: M. WALMSLEY 30JUN05 NAME: M. WALMSLEY		Tyco Electronics Corporation Harrisburg, Pa 17105 Tyco Electronics					
PRODUCT SPEC: - APPLICATION SPEC: -		SIZE: A1 CAGE CODE: 00779 DRAWING NO: 1761604		RESTRICTED TO: - WEIGHT: - CUSTOMER DRAWING			
MATERIAL: - FINISH: -		SCALE: 4:1		SHEET: 1 of 1 REV: A			