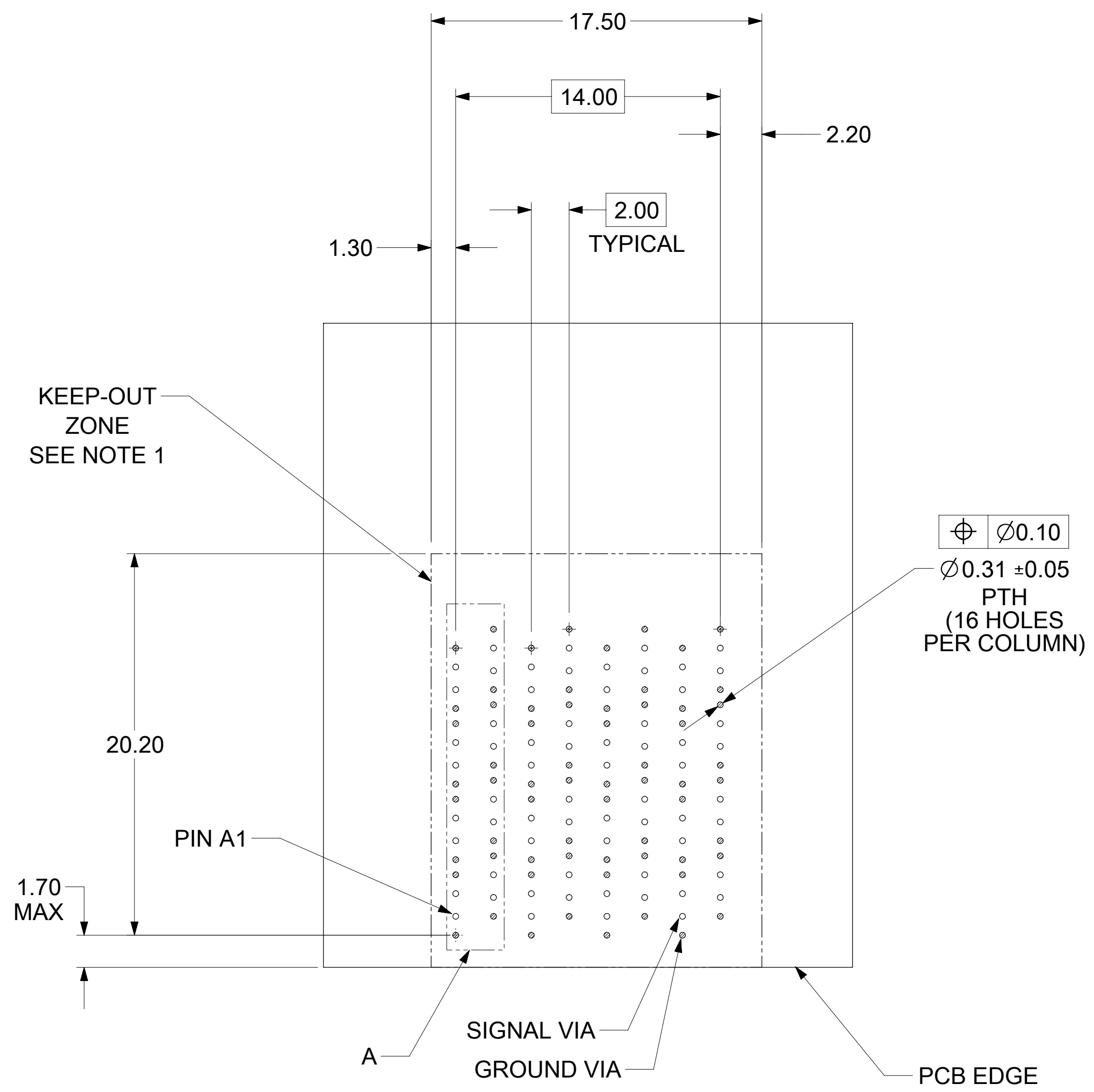


NOTES:

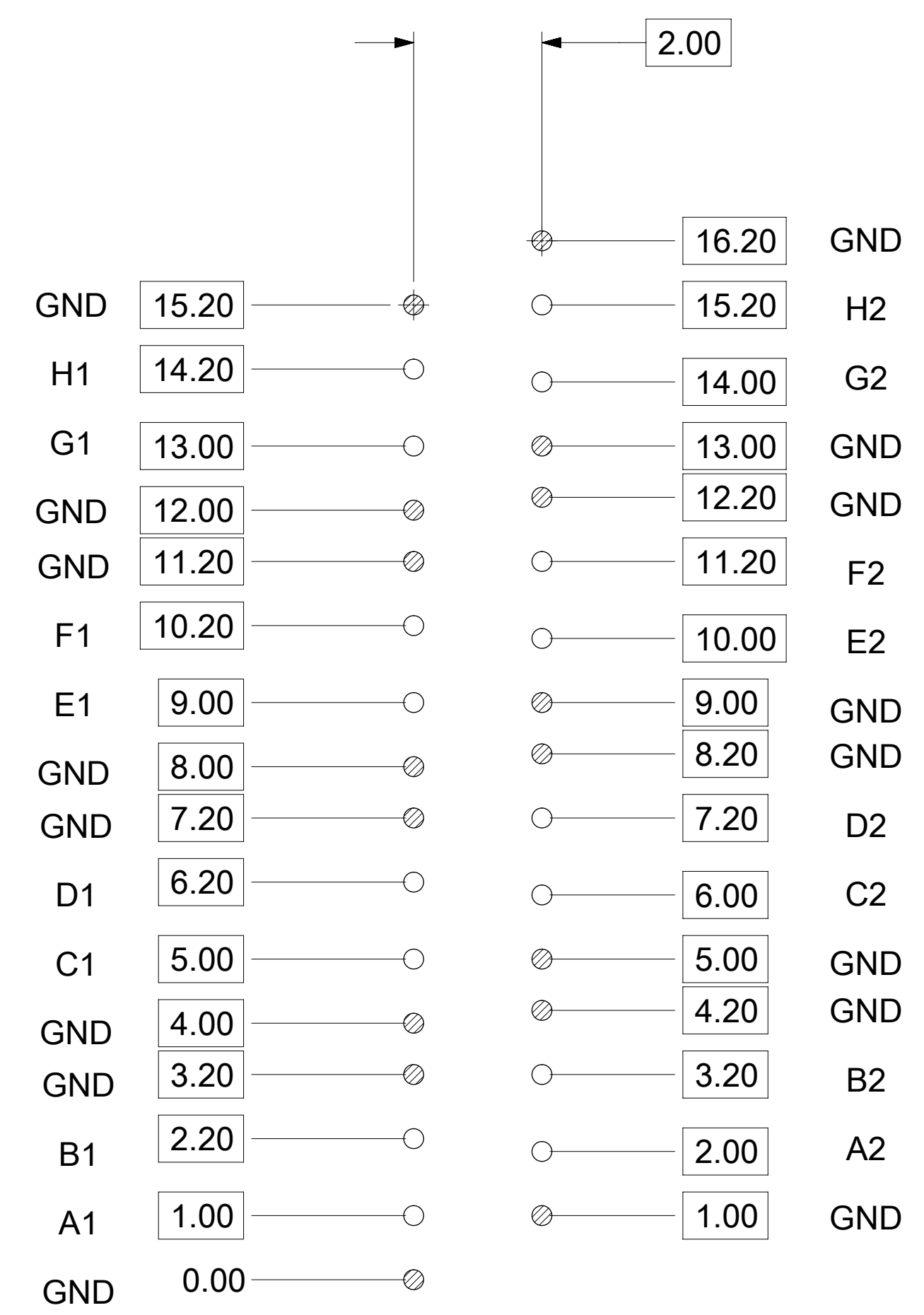
- MATERIALS:
HOUSING: LIQUID CRYSTAL POLYMER (LCP) GLASS-FILLED, UL94V-0
TERMINALS: HIGH PERFORMANCE COPPER ALLOY
- FINISH: SELECTIVE GOLD IN SIGNAL AND GROUND SHIELD CONTACT AREA ONLY.
SELECTIVE TIN ON PCB TAILS.
NICKEL OVERALL.
- PARTS ARE MARKED WITH THE PART NUMBER, "MXS", AND A DATECODE.
DATECODE FORMAT: 2 DIGIT YEAR, 3 DIGIT DAY (YYDDD).
- REFER TO MOLEX PRODUCT SPECIFICATION 1735109997-PS FOR PERFORMANCE SPECIFICATIONS.
- PRODUCT WILL BE PACKAGED PER: 1735402000PDDPK.
- MATES WITH IMPULSE 4 PAIR ODRAM NUMBER 211130-9001.
- APPLICATION SPECIFICATION: 1735109998-AS_PS
- REFER TO IMPULSE PCB ROUTING GUIDE 1735109999-AS FOR ANTIPAD, ROUTING RECOMMENDATIONS, AND ADDITIONAL PCB INFORMATION.
- THIS PART CONFORMS TO CLASS B REQUIREMENTS OF MOLEX COSMETIC SPEC PS-45499-002.
- SEE SHEETS 2 AND 3 FOR HOLE PATTERN DIMENSIONS.

MATERIAL NUMBER	NUMBER OF COLUMNS	NUMBER OF DIFFERENTIAL PAIRS
173540-9009	8	32

FUNCTIONAL SYMBOLS $\nabla_A = 0$ $\nabla_C = 0$ $\nabla_D = 0$ DIVISIONAL SYMBOLS	THIS DRAWING CONTAINS INFORMATION THAT IS PROPRIETARY TO MOLEX ELECTRONIC TECHNOLOGIES, LLC AND SHOULD NOT BE USED WITHOUT WRITTEN PERMISSION DIMENSION UNITS: mm SCALE: 4:1 CURRENT REV DESC: PRINT UPDATE FOR VISUAL ALL VIEWS.				
	GENERAL TOLERANCES (UNLESS SPECIFIED) ANGULAR TOL $\pm 0.5^\circ$ 4 PLACES \pm 3 PLACES \pm 2 PLACES ± 0.13 1 PLACE ± 0.25 0 PLACES \pm				EC NO: 679452 DRWN: JMENDOZA01 2021/09/27 CHK'D: JMENDOZA01 2021/09/28 APPR: JMENDOZA01 2021/09/28
	DRAFT WHERE APPLICABLE MUST REMAIN WITHIN DIMENSIONS	THIRD ANGLE PROJECTION 	DRAWING: D-SIZE SERIES: 173540	INITIAL REVISION: DRWN: JLAURX 2018/10/25 APPR: TELO 2019/04/24	PRODUCT CUSTOMER DRAWING DOCUMENT NUMBER: 1735409009 DOC TYPE: PSD DOC PART: 000 REVISION: A4
	MATERIAL NUMBER: SEE TABLE CUSTOMER: GENERAL MARKET		SHEET NUMBER: 1 OF 3		



ORTHO RAF HOLE PATTERN
(CONNECTOR SIDE)



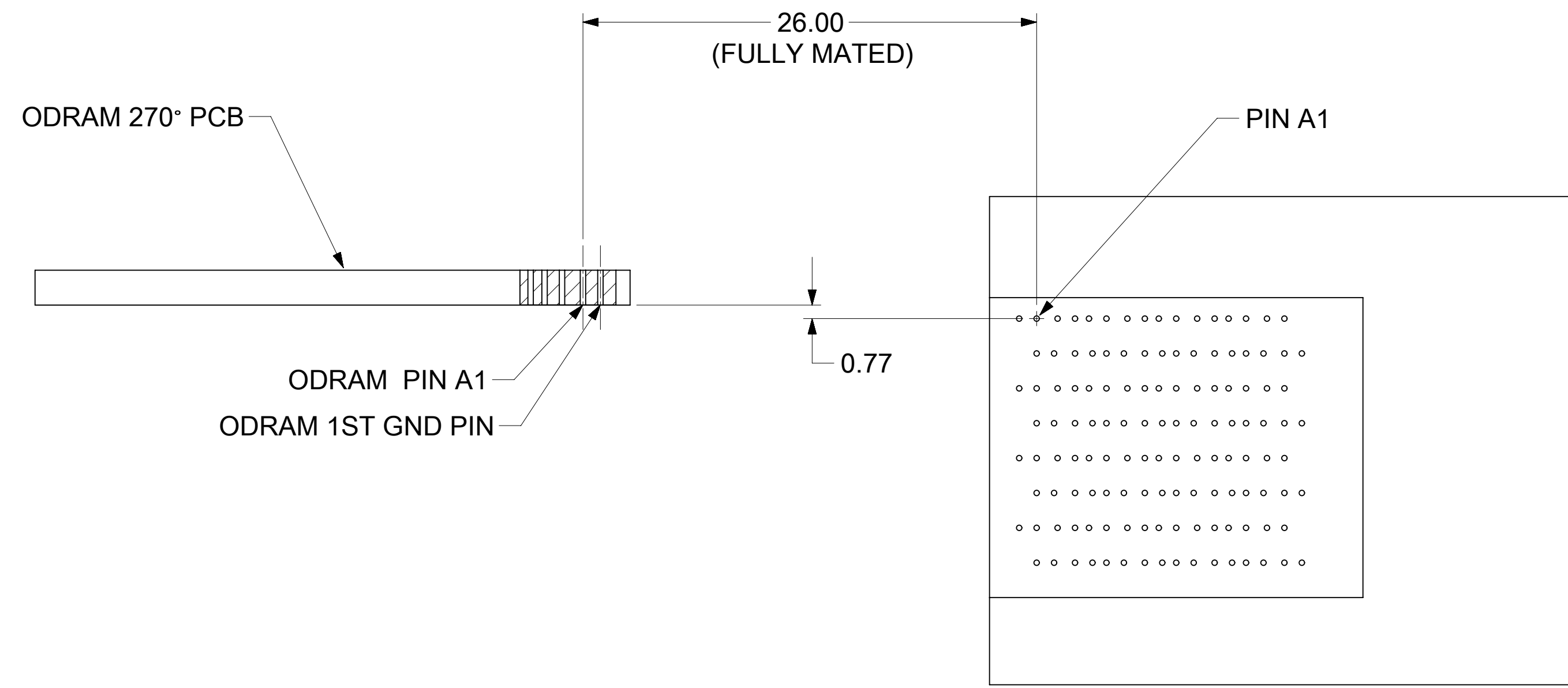
DETAIL A
SCALE 12:1

ODD COLUMN
DIMENSIONS

EVEN COLUMN
DIMENSIONS

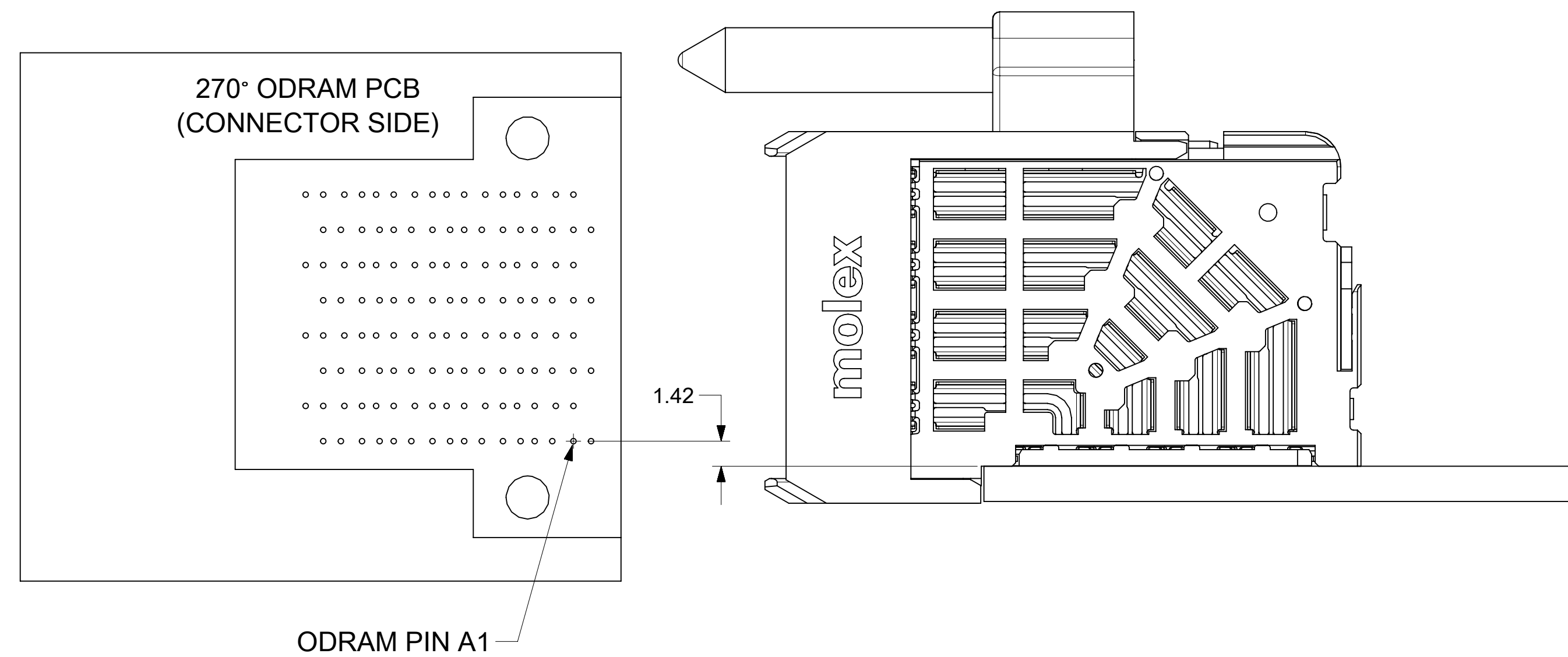
NOTES:
 1. THESE DIMENSIONS REPRESENT THE AREA NEEDED TO ACCOMMODATE CONNECTOR INSERTION AND REPAIR ON THE PCB. THIS IS REFERRED TO AS THE "CONNECTOR KEEP OUT ZONE" AND DOES NOT REPRESENT THE ACTUAL PERIMETER OF THE CONNECTOR.
 2. MINIMUM PCB THICKNESS: 1.0mm

FUNCTIONAL SYMBOLS	THIS DRAWING CONTAINS INFORMATION THAT IS PROPRIETARY TO MOLEX ELECTRONIC TECHNOLOGIES, LLC AND SHOULD NOT BE USED WITHOUT WRITTEN PERMISSION		
	DIMENSION UNITS	SCALE	CURRENT REV DESC: PRINT UPDATE FOR VISUAL ALL VIEWS.
$F_A = 0$	mm	5:1	EC NO: 679452 DRWN: JMENDOZA01 2021/09/27 CHK'D: JMENDOZA01 2021/09/28 APPR: JMENDOZA01 2021/09/28 INITIAL REVISION: DRWN: JLAURX 2018/10/25 APPR: TELO 2019/04/24
GENERAL TOLERANCES (UNLESS SPECIFIED)	ANGULAR TOL ± 0.5°		
$F_C = 0$	4 PLACES	±	
$F_D = 0$	3 PLACES	±	
DIVISIONAL SYMBOLS	2 PLACES	± 0.13	
	1 PLACE	± 0.25	
	0 PLACES	±	
DRAFT WHERE APPLICABLE MUST REMAIN WITHIN DIMENSIONS	THIRD ANGLE PROJECTION	DRAWING	SHEET NUMBER
		D-SIZE	173540
		SERIES	MATERIAL NUMBER
		173540	SEE TABLE
		CUSTOMER	GENERAL MARKET
		DOCUMENT NUMBER	DOC TYPE DOC PART REVISION
		1735409009	PSD 000 A4
			2 OF 3



ORTHO RAF HOLE PATTERN
(CONNECTOR SIDE)
WITH ODRAM 270° PCB

SEE SHEET 2 FOR ALL OTHER
HOLE PATTERN DIMENSIONS



FUNCTIONAL SYMBOLS	THIS DRAWING CONTAINS INFORMATION THAT IS PROPRIETARY TO MOLEX ELECTRONIC TECHNOLOGIES, LLC AND SHOULD NOT BE USED WITHOUT WRITTEN PERMISSION		
	DIMENSION UNITS	SCALE	CURRENT REV DESC: PRINT UPDATE FOR VISUAL ALL VIEWS.
$F_A = 0$	mm	4:1	
$F_C = 0$	GENERAL TOLERANCES (UNLESS SPECIFIED)		
	ANGULAR TOL $\pm 0.5^\circ$		
DIVISIONAL SYMBOLS	4 PLACES	\pm	EC NO: 679452
	3 PLACES	\pm	DRWN: JMENDOZA01 2021/09/27
	2 PLACES	± 0.13	CHK'D: JMENDOZA01 2021/09/28
	1 PLACE	± 0.25	APPR: JMENDOZA01 2021/09/28
	0 PLACES	\pm	INITIAL REVISION:
	DRAFT WHERE APPLICABLE MUST REMAIN WITHIN DIMENSIONS		DRWN: JLAURX 2018/10/25
	THIRD ANGLE PROJECTION		APPR: TELO 2019/04/24
	DRAWING		SERIES
	D-SIZE		173540
	MATERIAL NUMBER		CUSTOMER
	SEE TABLE		GENERAL MARKET
	DOCUMENT NUMBER		REVISION
	1735409009		PSD 000 A4
	SHEET NUMBER		3 OF 3