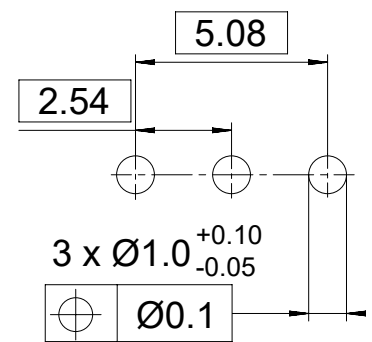
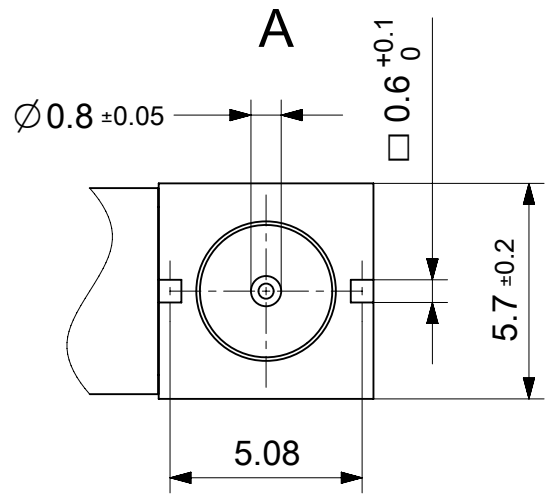
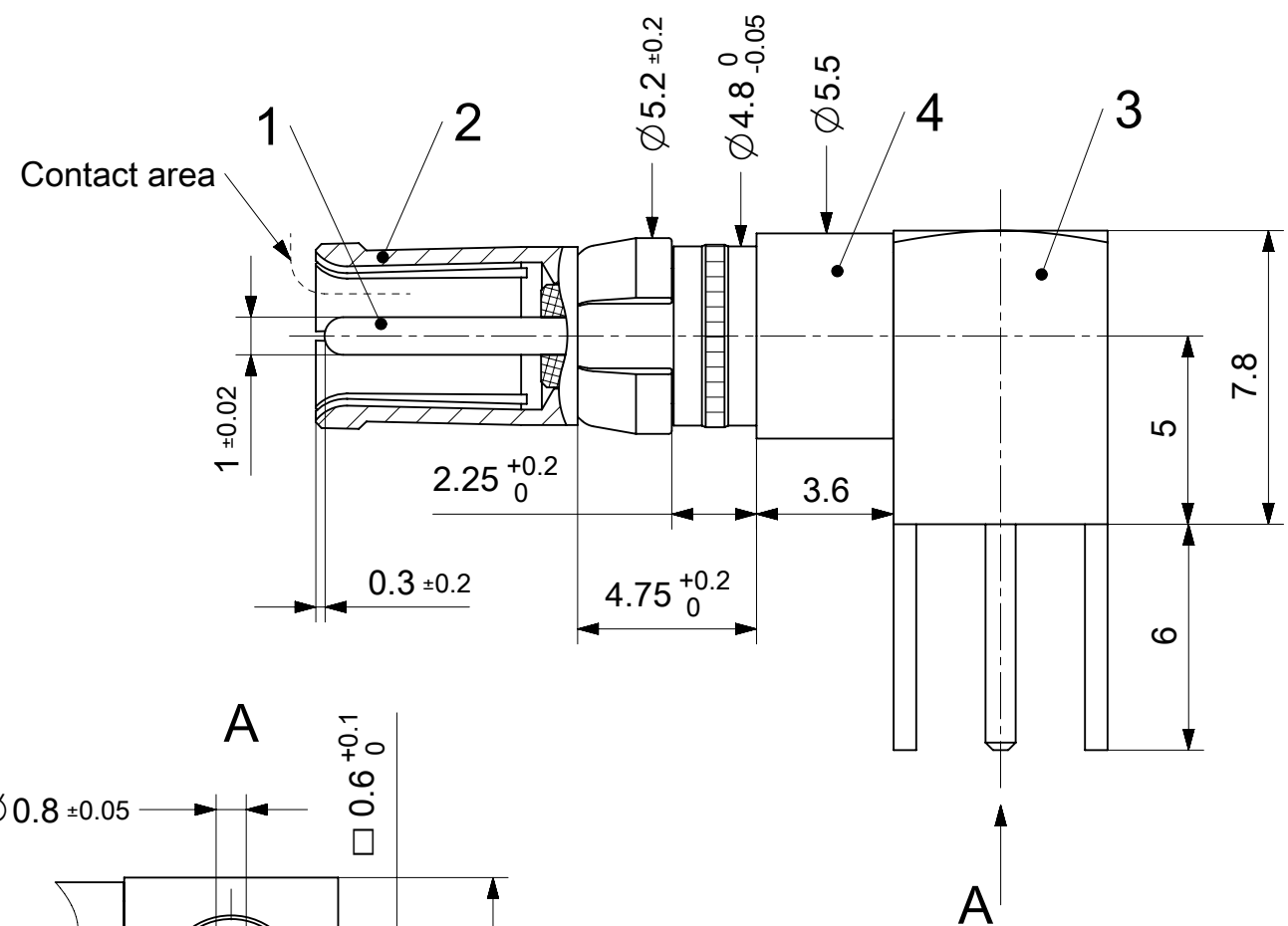


2:1

PCB-Layout



1731121196	FME008S102R	102
1731121106	FME008S101R	101
Material Number	FCT Part Number	Material + Finish See extra sheet



RoHS compliant
by exemption

UNLESS OTHERWISE SPECIFIED DIMENSIONS FOR REFERENCE ONLY				REPLACEMENT FOR DOCUMENT NUMBER: FME008S_R			
THIS DRAWING CONTAINS INFORMATION THAT IS PROPRIETARY TO MOLEX ELECTRONIC TECHNOLOGIES, LLC AND SHOULD NOT BE USED WITHOUT WRITTEN PERMISSION							
FUNCTIONAL SYMBOLS		DIMENSION UNITS		SCALE		CURRENT REV DESC:	
FA = 0		mm		5:1		EC NO: 710158	
FE = 0		GENERAL TOLERANCES (UNLESS SPECIFIED)		4 PLACES ±		DRWN: VLOKESHA 2021/04/16	
FP = 0		ANGULAR TOL ± °		3 PLACES ±		CHK'D: FVETTER 2022/06/13	
DIVISIONAL SYMBOLS		4 PLACES ±		2 PLACES ±		APPR: FVETTER 2022/06/13	
		1 PLACE ±		INITIAL REVISION:		DOCUMENT NUMBER	
		0 PLACES ±		DRWN: VLOKESHA 2021/04/16		1731121196	
		DRAFT WHERE APPLICABLE MUST REMAIN WITHIN DIMENSIONS		APPR: FVETTER 2022/06/13		DOC TYPE DOC PART REVISION	
		FIRST ANGLE PROJECTION		DRAWING		PSD 000 A	
		DRAWING		SERIES		SHEET NUMBER	
		A4-SIZE		173112		1 OF 1	
		MATERIAL NUMBER		CUSTOMER			
		SEE TABLE		GENERAL MARKET			