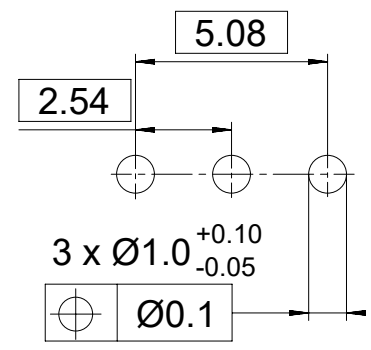
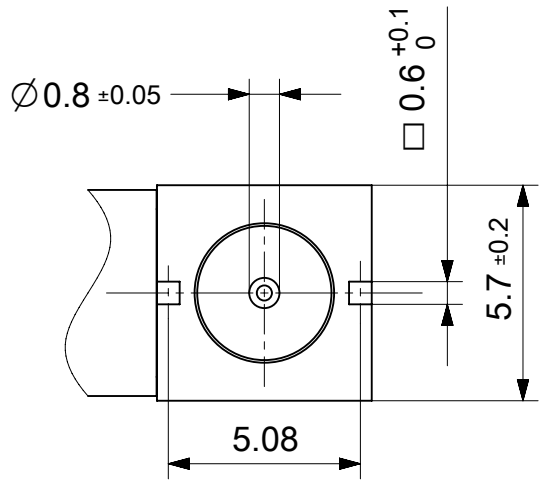


2:1

PCB-Layout



1731121103	FME001S101	101
1731120194	FME001S102	102
1731121075	FME001S202	202
Material Number	FCT Part Number	Material + Finish See extra sheet



RoHS compliant
by exemption

UNLESS OTHERWISE SPECIFIED DIMENSIONS FOR REFERENCE ONLY				REPLACEMENT FOR DOCUMENT NUMBER: FME001S						
THIS DRAWING CONTAINS INFORMATION THAT IS PROPRIETARY TO MOLEX ELECTRONIC TECHNOLOGIES, LLC AND SHOULD NOT BE USED WITHOUT WRITTEN PERMISSION										
FUNCTIONAL SYMBOLS	DIMENSION UNITS	SCALE	CURRENT REV DESC:							
$\frac{F}{A} = 0$	mm	5:1	EC NO: 730943							
$\frac{F}{E} = 0$	GENERAL TOLERANCES (UNLESS SPECIFIED)		DRWN: VLOKESHA 2021/04/15							
$\frac{F}{P} = 0$	ANGULAR TOL ± °		CHK'D: MTEUBEL 2022/12/06							
DIVISIONAL SYMBOLS	4 PLACES	±	APPR: MTEUBEL 2022/12/06							
	3 PLACES	±	INITIAL REVISION:							
	2 PLACES	±	DRWN: VLOKESHA 2021/04/15							
	1 PLACE	±	APPR: MTEUBEL 2022/12/06							
	0 PLACES	±	DRAFT WHERE APPLICABLE MUST REMAIN WITHIN DIMENSIONS		FIRST ANGLE PROJECTION	DRAWING	SERIES	MATERIAL NUMBER	CUSTOMER	SHEET NUMBER
				A4-SIZE	173112	SEE TABLE	GENERAL MARKET	1731121103	PSD 000	A