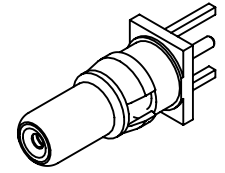
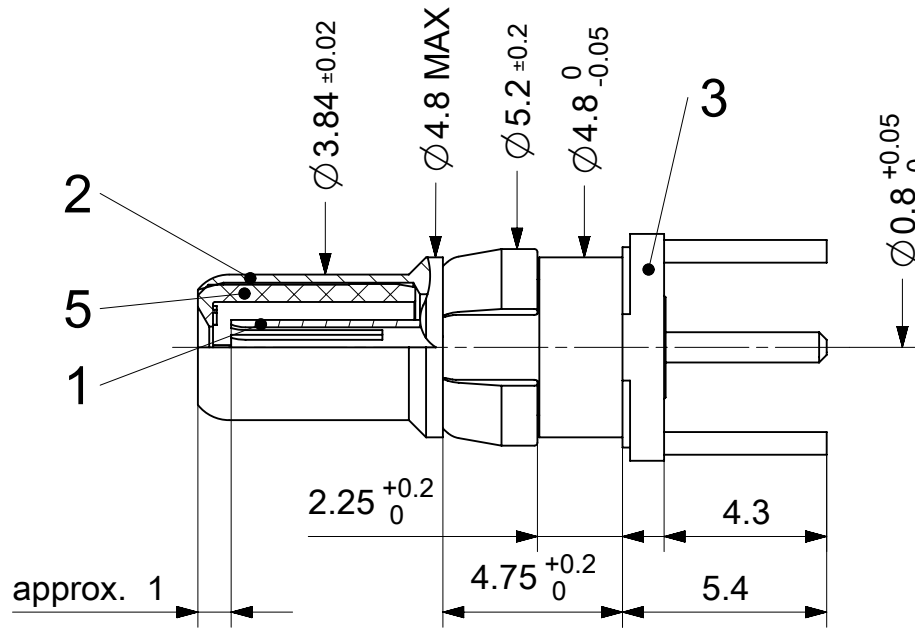
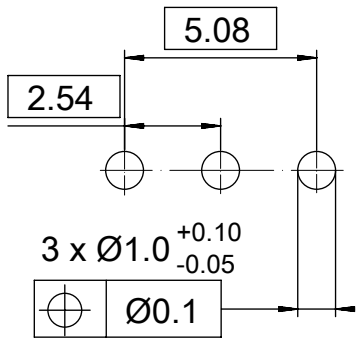


PCB-Layout



2:1

RoHS compliant
by exemption

1731120819	FME005P101	101
1731120188	FME005P102	102
1731121070	FME005P202	202
Material Number	FCT Part Number	Material + Finish See extra sheet

UNLESS OTHERWISE SPECIFIED DIMENSIONS FOR REFERENCE ONLY				REPLACEMENT FOR DOCUMENT NUMBER: FME005P			
FUNCTIONAL SYMBOLS				THIS DRAWING CONTAINS INFORMATION THAT IS PROPRIETARY TO MOLEX ELECTRONIC TECHNOLOGIES, LLC AND SHOULD NOT BE USED WITHOUT WRITTEN PERMISSION			
DIMENSION UNITS		SCALE		CURRENT REV DESC:			
mm		5:1		EC NO: 730943			
GENERAL TOLERANCES (UNLESS SPECIFIED)				DRWN: SUGEEB 2022/07/07			
ANGULAR TOL ± °				CHK'D: MTEUBEL 2022/12/06			
4 PLACES ±				APPR: MTEUBEL 2022/12/06			
3 PLACES ±				INITIAL REVISION:			
2 PLACES ±				DRWN: SUGEEB 2022/07/07			
1 PLACE ±				APPR: MTEUBEL 2022/12/06			
0 PLACES ±				DRAFT WHERE APPLICABLE MUST REMAIN WITHIN DIMENSIONS		FIRST ANGLE PROJECTION	
DRAWING		SERIES		MATERIAL NUMBER		CUSTOMER	
A4-SIZE		173112		SEE TABLE		GENERAL MARKET	
DOCUMENT NUMBER				DOC TYPE		DOC PART	
1731120819				PSD		000	
REVISION				A			
SHEET NUMBER				1 OF 1			

DOCUMENT STATUS	P1	RELEASE DATE	2022/12/06	14:05:24
-----------------	----	--------------	------------	----------