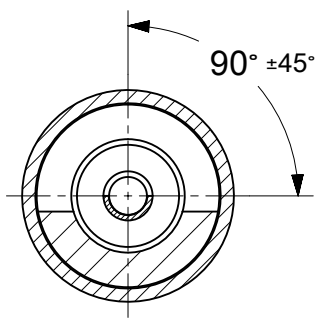


RoHS compliant
by exemption

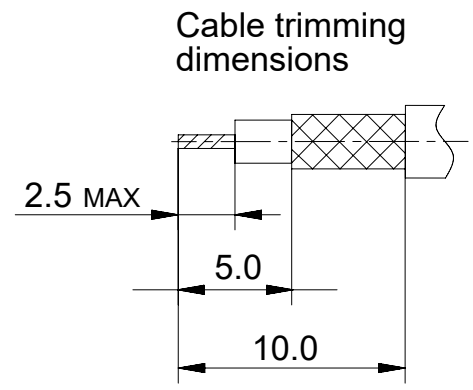
Crimping tools see document 2195600660
Cable RG174U, RG188AU, RG316U

1731120790	FDX002P102	102
1731120791	FDX002P116	116
Material Number	FCT Part Number	Material + Finish See extra sheet



Solderpot position

A-A



Cable trimming
dimensions

UNLESS OTHERWISE SPECIFIED DIMENSIONS FOR REFERENCE ONLY				REPLACEMENT FOR DOCUMENT NUMBER: FDX002P			
THIS DRAWING CONTAINS INFORMATION THAT IS PROPRIETARY TO MOLEX ELECTRONIC TECHNOLOGIES, LLC AND SHOULD NOT BE USED WITHOUT WRITTEN PERMISSION							
FUNCTIONAL SYMBOLS	DIMENSION UNITS	SCALE	CURRENT REV DESC:				
$\frac{F}{A} = 0$	mm	5:1	EC NO: 712027 DRWN: VLOKESHA 2021/05/19 CHK'D: MTEUBEL 2022/06/29 APPR: MTEUBEL 2022/06/29 INITIAL REVISION: DRWN: VLOKESHA 2021/05/19 APPR: MTEUBEL 2022/06/29				
$\frac{F}{E} = 0$	GENERAL TOLERANCES (UNLESS SPECIFIED)						
$\frac{F}{P} = 0$	ANGULAR TOL ± °						
DIVISIONAL SYMBOLS	4 PLACES ±						
	3 PLACES ±		PRODUCT CUSTOMER DRAWING				
	2 PLACES ±		DOCUMENT NUMBER		DOC TYPE	DOC PART	REVISION
	1 PLACE ±		1731120790		PSD	000	A
	0 PLACES ±		MATERIAL NUMBER		CUSTOMER		SHEET NUMBER
	DRAFT WHERE APPLICABLE MUST REMAIN WITHIN DIMENSIONS	FIRST ANGLE PROJECTION	DRAWING	SERIES	SEE TABLE	GENERAL MARKET	1 OF 1