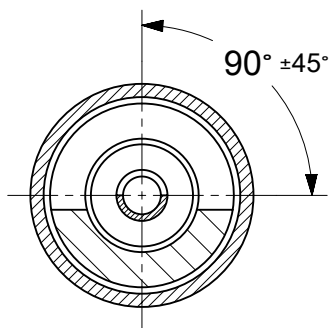


RoHS compliant
by exemption

Crimping tools see document 2195600660
Cable RG58CU, RG141AU

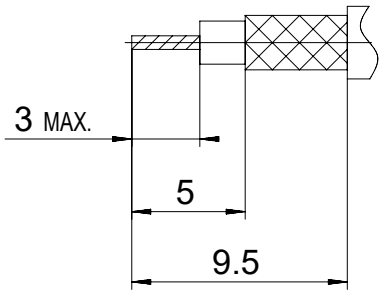
1731120623	FDX015S116	116
Material Number	FCT Part Number	Material + Finish See extra sheet



Solderpot position

A-A

Cable trimming dimensions



UNLESS OTHERWISE SPECIFIED DIMENSIONS FOR REFERENCE ONLY				REPLACEMENT FOR DOCUMENT NUMBER: FDX015S						
THIS DRAWING CONTAINS INFORMATION THAT IS PROPRIETARY TO MOLEX ELECTRONIC TECHNOLOGIES, LLC AND SHOULD NOT BE USED WITHOUT WRITTEN PERMISSION										
FUNCTIONAL SYMBOLS	DIMENSION UNITS	SCALE	CURRENT REV DESC:							
$\frac{E}{A} = 0$	mm	5:1	EC NO: 712027 DRWN: VLOKESHA 2021/05/20 CHK'D: MTEUBEL 2022/06/29 APPR: MTEUBEL 2022/06/29							
$\frac{E}{E} = 0$	GENERAL TOLERANCES (UNLESS SPECIFIED)									
$\frac{E}{P} = 0$	ANGULAR TOL ± °									
DIVISIONAL SYMBOLS										
	4 PLACES	±	INITIAL REVISION: DRWN: VLOKESHA 2021/05/20 APPR: MTEUBEL 2022/06/29							
	3 PLACES	±								
	2 PLACES	±								
	1 PLACE	±								
	0 PLACES	±	DOCUMENT NUMBER		DOC TYPE		DOC PART	REVISION		
DRAFT WHERE APPLICABLE MUST REMAIN WITHIN DIMENSIONS			FIRST ANGLE PROJECTION		DRAWING		SERIES	MATERIAL NUMBER	CUSTOMER	SHEET NUMBER
					A4-SIZE		173112	SEE TABLE	GENERAL MARKET	1 OF 1
			FCT 50 OHM COAXIAL CONTACT FOR EN 60603-2							
			PRODUCT CUSTOMER DRAWING							

DOCUMENT STATUS	P1	RELEASE DATE	2022/06/29	08:06:07
-----------------	----	--------------	------------	----------

FORMAT: master-ib-prod-A4
REVISION: J
DATE: 2020/01/14