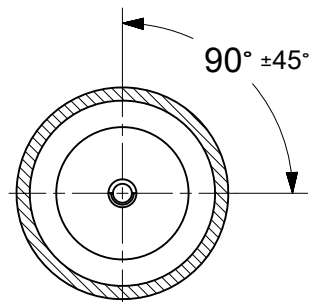


RoHS compliant
by exemption

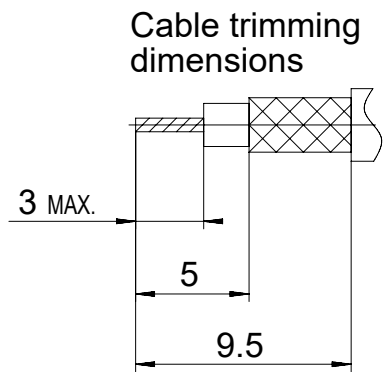
Crimping tools see document 2195600660
Cable RG179BU, RG187AU

1731120798	FDX013P102	102
1731120620	FDX013P116	116
Material Number	FCT Part Number	Material + Finish See extra sheet



Solderpot position

A-A



Cable trimming dimensions

UNLESS OTHERWISE SPECIFIED DIMENSIONS FOR REFERENCE ONLY				REPLACEMENT FOR DOCUMENT NUMBER: FDX013P			
THIS DRAWING CONTAINS INFORMATION THAT IS PROPRIETARY TO MOLEX ELECTRONIC TECHNOLOGIES, LLC AND SHOULD NOT BE USED WITHOUT WRITTEN PERMISSION							
FUNCTIONAL SYMBOLS	DIMENSION UNITS	SCALE	CURRENT REV DESC:				
$\frac{E}{A} = 0$	mm	5:1	EC NO: 712027 DRWN: VLOKESHA 2021/05/19 CHK'D: MTEUBEL 2022/06/29 APPR: MTEUBEL 2022/06/29 INITIAL REVISION: DRWN: VLOKESHA 2021/05/19 APPR: MTEUBEL 2022/06/29				
$\frac{E}{E} = 0$	GENERAL TOLERANCES (UNLESS SPECIFIED)						
$\frac{E}{P} = 0$	ANGULAR TOL ± °						
DIVISIONAL SYMBOLS	4 PLACES ±	3 PLACES ±					
	2 PLACES ±	1 PLACE ±	DOCUMENT NUMBER				
	0 PLACES ±		1731120798		DOC TYPE	DOC PART	REVISION
DRAFT WHERE APPLICABLE MUST REMAIN WITHIN DIMENSIONS		FIRST ANGLE PROJECTION	DRAWING	SERIES	MATERIAL NUMBER	CUSTOMER	SHEET NUMBER
			A4-SIZE	173112	SEE TABLE	GENERAL MARKET	1 OF 1



FCT 75 OHM COAXIAL CONTACT FOR EN 60603-2

PRODUCT CUSTOMER DRAWING