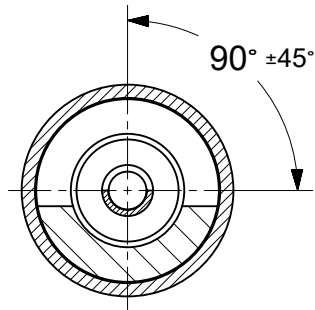


RoHS compliant
by exemption

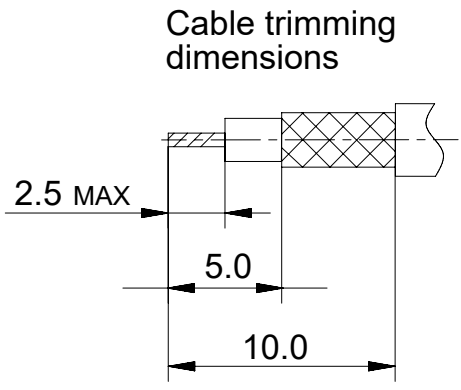
Crimping tools see document 2195600660
Cable RG174U, RG188AU, RG316U

1731120619	FDX002S102	102
1731120793	FDX002S116	116
Material Number	FCT Part Number	Material + Finish See extra sheet



Solderpot position

A-A



Cable trimming
dimensions

UNLESS OTHERWISE SPECIFIED DIMENSIONS FOR REFERENCE ONLY				REPLACEMENT FOR DOCUMENT NUMBER: FDX002S						
THIS DRAWING CONTAINS INFORMATION THAT IS PROPRIETARY TO MOLEX ELECTRONIC TECHNOLOGIES, LLC AND SHOULD NOT BE USED WITHOUT WRITTEN PERMISSION										
FUNCTIONAL SYMBOLS	DIMENSION UNITS	SCALE	CURRENT REV DESC:							
$\frac{E}{A} = 0$	mm	5:1	EC NO: 712027 DRWN: VLOKESHA 2021/05/19 CHK'D: MTEUBEL 2022/06/29 APPR: MTEUBEL 2022/06/29 INITIAL REVISION: DRWN: VLOKESHA 2021/05/19 APPR: MTEUBEL 2022/06/29							
$\frac{E}{E} = 0$	GENERAL TOLERANCES (UNLESS SPECIFIED)									
$\frac{E}{P} = 0$	ANGULAR TOL ± °									
DIVISIONAL SYMBOLS	4 PLACES	±								
	3 PLACES	±	DOCUMENT NUMBER: 1731120619 DOC TYPE: PSD DOC PART: 000 REVISION: A							
	2 PLACES	±								
	1 PLACE	±								
	0 PLACES	±	DRAFT WHERE APPLICABLE MUST REMAIN WITHIN DIMENSIONS		FIRST ANGLE PROJECTION	DRAWING: A4-SIZE	SERIES: 173112	MATERIAL NUMBER: SEE TABLE	CUSTOMER: GENERAL MARKET	SHEET NUMBER: 1 OF 1