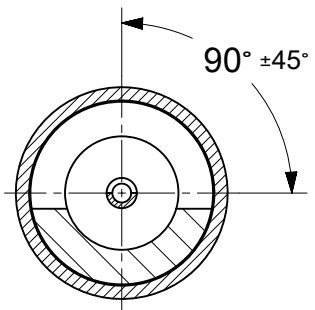


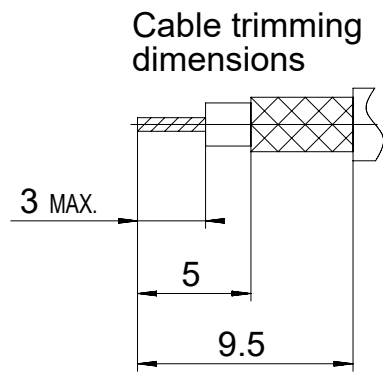
RoHS compliant
by exemption

Crimping tools see document 2195600660
Not mateable with 50 Ω mating area!
Cable RG179BU, RG187AU

1731120455	FDX033S102	102
Material Number	FCT Part Number	Material + Finish See extra sheet



Solderpot position
A-A



UNLESS OTHERWISE SPECIFIED DIMENSIONS FOR REFERENCE ONLY				REPLACEMENT FOR DOCUMENT NUMBER: FDX033S			
THIS DRAWING CONTAINS INFORMATION THAT IS PROPRIETARY TO MOLEX ELECTRONIC TECHNOLOGIES, LLC AND SHOULD NOT BE USED WITHOUT WRITTEN PERMISSION							
FUNCTIONAL SYMBOLS	DIMENSION UNITS	SCALE	CURRENT REV DESC:				
$\frac{F_A}{A} = 0$	mm	5:1	EC NO: 712027 DRWN: VLOKESHA 2021/05/20 CHK'D: MTEUBEL 2022/06/29 APPR: MTEUBEL 2022/06/29 INITIAL REVISION: DRWN: VLOKESHA 2021/05/20 APPR: MTEUBEL 2022/06/29				
$\frac{F_E}{E} = 0$	GENERAL TOLERANCES (UNLESS SPECIFIED)						
$\frac{F_P}{P} = 0$	ANGULAR TOL ± °						
DIVISIONAL SYMBOLS	4 PLACES	±					
	3 PLACES	±	PRODUCT CUSTOMER DRAWING				
	2 PLACES	±	DOCUMENT NUMBER		DOC TYPE	DOC PART	REVISION
	1 PLACE	±	1731120455		PSD	000	A
	0 PLACES	±	MATERIAL NUMBER		CUSTOMER		SHEET NUMBER
	DRAFT WHERE APPLICABLE MUST REMAIN WITHIN DIMENSIONS		FIRST ANGLE PROJECTION	DRAWING	SERIES	MATERIAL NUMBER	CUSTOMER
				A4-SIZE	173112	SEE TABLE	GENERAL MARKET