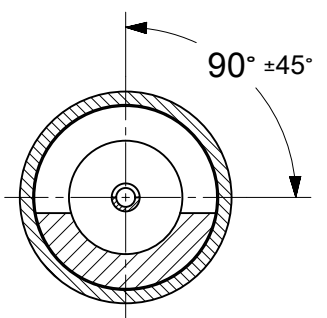


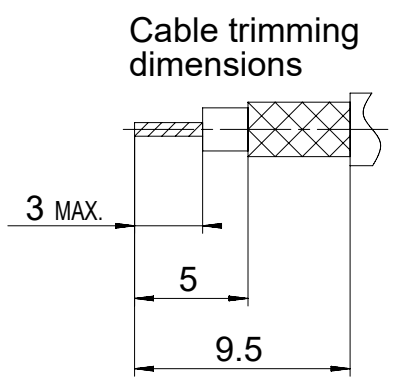
RoHS compliant
by exemption

Crimping tools see document 2195600660
Cable RG179BU, RG187AU

1731120268	FDX013S102	102
1731120621	FDX013S116	116
Material Number	FCT Part Number	Material + Finish See extra sheet



Solderpot position
A-A



UNLESS OTHERWISE SPECIFIED DIMENSIONS FOR REFERENCE ONLY				REPLACEMENT FOR DOCUMENT NUMBER: FDX013S				
THIS DRAWING CONTAINS INFORMATION THAT IS PROPRIETARY TO MOLEX ELECTRONIC TECHNOLOGIES, LLC AND SHOULD NOT BE USED WITHOUT WRITTEN PERMISSION								
FUNCTIONAL SYMBOLS	DIMENSION UNITS	SCALE	CURRENT REV DESC:					
$\frac{E}{A} = 0$	mm	5:1	EC NO: 712027 DRWN: VLOKESHA 2021/05/19 CHK'D: MTEUBEL 2022/06/29 APPR: MTEUBEL 2022/06/29					
$\frac{E}{E} = 0$	GENERAL TOLERANCES (UNLESS SPECIFIED)							
$\frac{E}{P} = 0$	ANGULAR TOL ± °							
DIVISIONAL SYMBOLS								
	4 PLACES	±	INITIAL REVISION: DRWN: VLOKESHA 2021/05/19 APPR: MTEUBEL 2022/06/29					
	3 PLACES	±						
	2 PLACES	±						
	1 PLACE	±						
	0 PLACES	±	DOCUMENT NUMBER		DOC TYPE		DOC PART	REVISION
DRAFT WHERE APPLICABLE MUST REMAIN WITHIN DIMENSIONS			FIRST ANGLE PROJECTION	DRAWING	SERIES	MATERIAL NUMBER	CUSTOMER	SHEET NUMBER
				A4-SIZE	173112	SEE TABLE	GENERAL MARKET	1 OF 1
			molex					
			FCT 75 OHM COAXIAL CONTACT FOR EN 60603-2					
			PRODUCT CUSTOMER DRAWING					

DOCUMENT STATUS	P1	RELEASE DATE	2022/06/29	08:06:04
-----------------	----	--------------	------------	----------