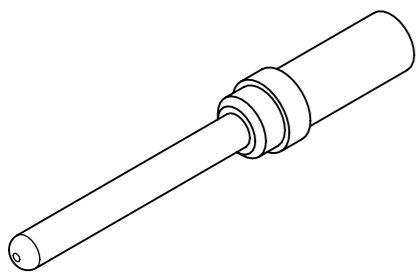
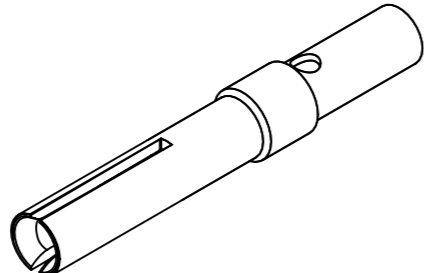


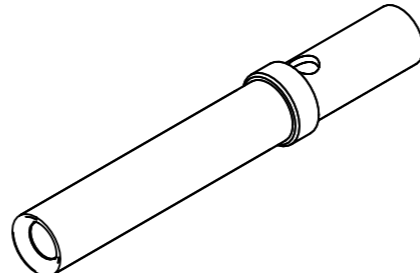
AWG	Type	Surface	Mod.	FCT Part Number	Material Number	Type	Surface	Mod.	FCT Part Number	Material Number	Type	Surface	Mod.	FCT Part Number	Material Number		
AWG 18-22	FK20P18-	02V	-5783	FK20P18-02V-5783	1731120203	FK20SL18-	02V	-5783	FK20SL18-02V-5783	1731120217	FK20S18-	02V	-5783	FK20S18-02V-5783	1731120211		
			-6096	FK20P18-02V-6096	1731120753			-6096	FK20SL18-02V-6096	1731121033			-6096	FK20S18-02V-6096	1731121030		
			-6097	FK20P18-02V-6097	1731121028			-6097	FK20SL186-02V-6097	1731121034			-6097	FK20S186-02V-6097	1731121031		
		08V	-5783	FK20P18-08V-5783	1731120204		-5783	FK20SL18-08V-5783	1731120218	08V		-5783	FK20S18-08V-5783		-5783	FK20S18-08V-5783	
			-6096	FK20P18-08V-6096			-6096	FK20SL18-08V-6096				-6096	FK20S18-08V-6096				
			-6097	FK20P18-08V-6097			-6097	FK20SL18-08V-6097				-6097	FK20S18-08V-6097				
		13V	-5783	FK20P18-13V-5783	1731120205		-5783	FK20SL18-13V-5783	1731120219	13V		-5783	FK20S18-13V-5783	1731120212	-5783	FK20S18-13V-5783	1731120212
			-6096	FK20P18-13V-6096	1731121029		-6096	FK20SL18-13V-6096	1731121036			-6096	FK20S18-13V-6096	1731121032			
			-6097	FK20P18-13V-6097			-6097	FK20SL18-13V-6097				-6097	FK20S18-13V-6097				
AWG 20-24	FK20P-	02V	-5783	FK20P-02V-5783	1731120200	FK20SL-	02V	-5783	FK20SL-02V-5783	1731120214	FK20S-	02V	-5783	FK20S-02V-5783	1731120209		
			-6096	FK20P-02V-6096	1731120715			-6096	FK20SL-02V-6096	1731120730			-6096	FK20S-02V-6096			
			-6097	FK20P-02V-6097	1731120716			-6097	FK20SL-02V-6097	1731120731			-6097	FK20S-02V-6097	1731120725		
		08V	-5783	FK20P-08V-5783	1731120201		-5783	FK20SL-08V-5783	1731120215	08V		-5783	FK20S-08V-5783		-5783	FK20S-08V-5783	
			-6096	FK20P-08V-6096	1731120717		-6096	FK20SL-08V-6096	1731120732			-6096	FK20S-08V-6096				
			-6097	FK20P-08V-6097	1731120718		-6097	FK20SL-08V-6097	1731120733			-6097	FK20S-08V-6097				
		13V	-5783	FK20P-13V-5783	1731120202		-5783	FK20SL-13V-5783	1731120216	13V		-5783	FK20S-13V-5783	1731120210	-5783	FK20S-13V-5783	1731120210
			-6096	FK20P-13V-6096	1731120719		-6096	FK20SL-13V-6096				-6096	FK20S-13V-6096	1731120726			
			-6097	FK20P-13V-6097	1731120720		-6097	FK20SL-13V-6097				-6097	FK20S-13V-6097	1731120727			
AWG 26-28	FK20P26-	02V	-5783	FK20P26-02V-5783	1731120206	FK20SL26-	02V	-5783	FK20SL26-02V-5783	1731120220	FK20S26-	02V	-5783	FK20S26-02V-5783			
			-6096	FK20P26-02V-6096	1731120721			-6096	FK20SL26-02V-6096	1731120734			-6096	FK20S26-02V-6096			
			-6097	FK20P26-02V-6097	1731120722			-6097	FK20SL26-02V-6097	1731120735			-6097	FK20S26-02V-6097			
		08V	-5783	FK20P26-08V-5783	1731120207		-5783	FK20SL26-08V-5783	1731120221	08V		-5783	FK20S26-08V-5783		-5783	FK20S26-08V-5783	
			-6096	FK20P26-08V-6096			-6096	FK20SL26-08V-6096	1731120736			-6096	FK20S26-08V-6096				
			-6097	FK20P26-08V-6097			-6097	FK20SL26-08V-6097				-6097	FK20S26-08V-6097				
		13V	-5783	FK20P26-13V-5783	1731120208		-5783	FK20SL26-13V-5783		13V		-5783	FK20S26-13V-5783	1731120213	-5783	FK20S26-13V-5783	1731120213
			-6096	FK20P26-13V-6096	1731120723		-6096	FK20SL26-13V-6096				-6096	FK20S26-13V-6096	1731120728			
			-6097	FK20P26-13V-6097	1731120724		-6097	FK20SL26-13V-6097				-6097	FK20S26-13V-6097	1731120729			
AWG 20-24	FK20PS-	08V	-6096	FK20PS-08V-6096	1731120752												



PIN
Material: Brass



SOCKET
Material: Copper alloy



SOCKET
Material: Copper alloy with sleeve made of stainless steel

RoHS compliant
by exemption

Availability on request, also nonmagnetic contacts.
Crimping Tools see catalogue.
Crimping Guideline see document: 2195600650
Packaging specification: 1731120004-PK

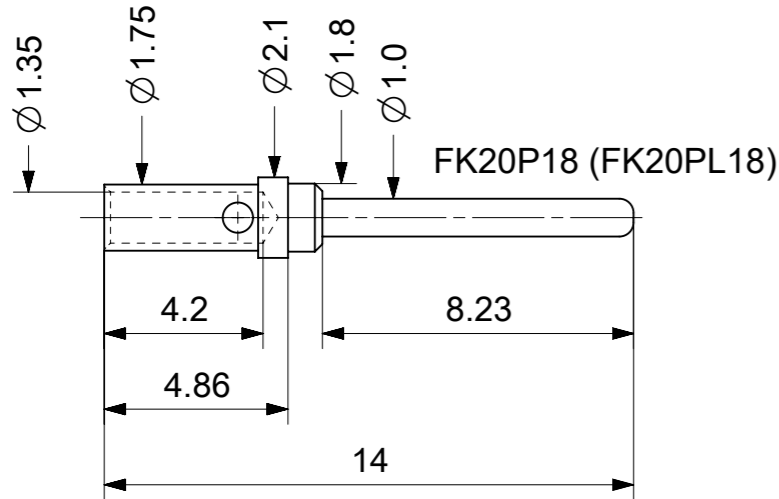
FCT Part Number Example FK20SL-08V-5783
Crimp socket contact for wire size AWG 20-24.
Plating 0.8µm Au over Ni.
Packing see packaging specification.

UNLESS OTHERWISE SPECIFIED DIMENSIONS FOR REFERENCE ONLY				REPLACEMENT FOR DOCUMENT NUMBER: FK20-XX			
FUNCTIONAL SYMBOLS				THIS DRAWING CONTAINS INFORMATION THAT IS PROPRIETARY TO MOLEX ELECTRONIC TECHNOLOGIES, LLC AND SHOULD NOT BE USED WITHOUT WRITTEN PERMISSION			
DIMENSION UNITS		SCALE		CURRENT REV DESC:			
mm		5:1		EC NO: 735728			
GENERAL TOLERANCES (UNLESS SPECIFIED)				DRWN: MSTEINBRUECK 2023/01/16			
ANGULAR TOL ± °				CHK'D: MTEUBEL 2023/01/20			
4 PLACES ±				APPR: MTEUBEL 2023/01/20			
3 PLACES ±				INITIAL REVISION:			
2 PLACES ±				DRWN: GOOLAM 2021/09/27			
1 PLACE ±				APPR: MTEUBEL 2023/01/13			
0 PLACES ±				DRAFT WHERE APPLICABLE MUST REMAIN WITHIN DIMENSIONS			
FIRST ANGLE PROJECTION		DRAWING		SERIES		MATERIAL NUMBER	
A3-SIZE		173112		SEE TABLE		CUSTOMER	
DOCUMENT NUMBER		DOC TYPE		DOC PART		REVISION	
1731120203		PSD		000		A1	
SHEET NUMBER		GENERAL MARKET		1 OF 2			

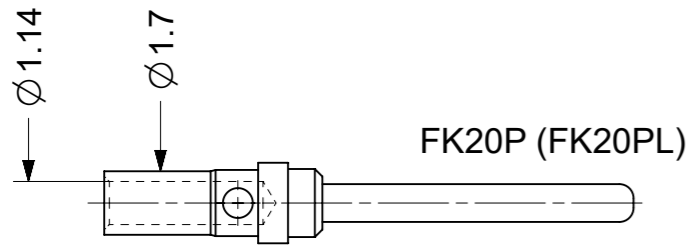
PIN

Material: Brass

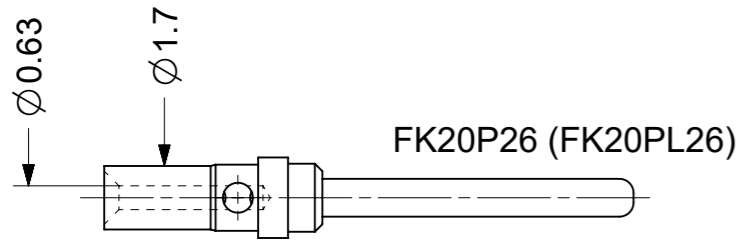
AWG 18-22



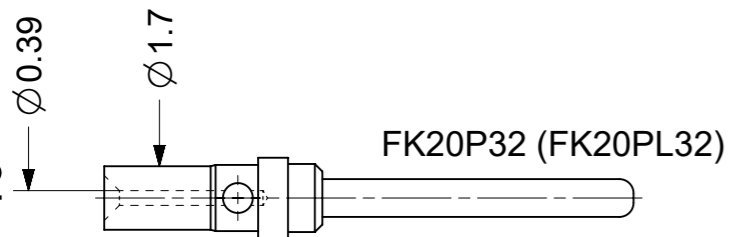
AWG 20-24



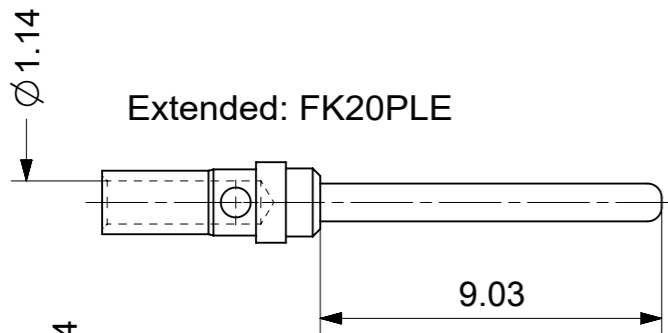
AWG 26-28



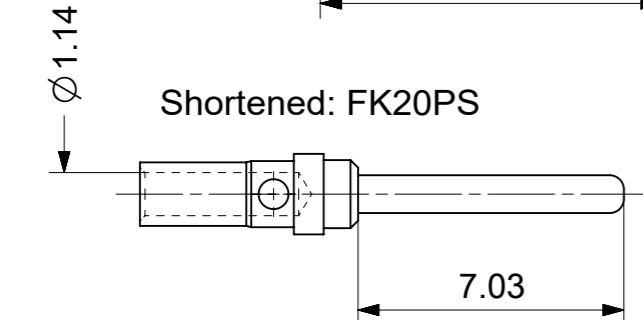
AWG 32



Extended: FK20PLE



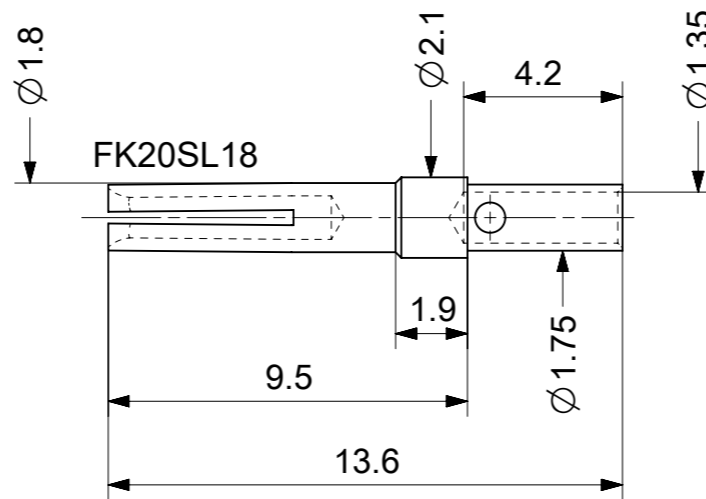
Shortened: FK20PS



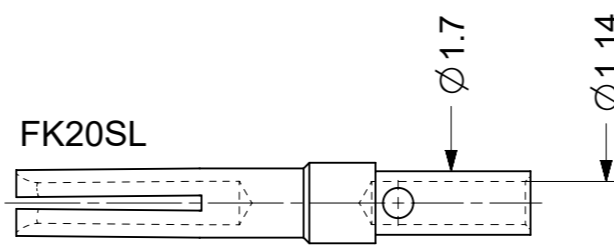
SOCKET

Material: Copper alloy

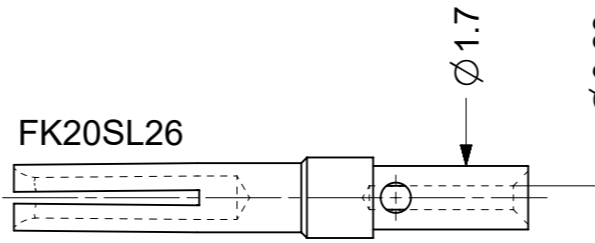
FK20SL18



FK20SL



FK20SL26

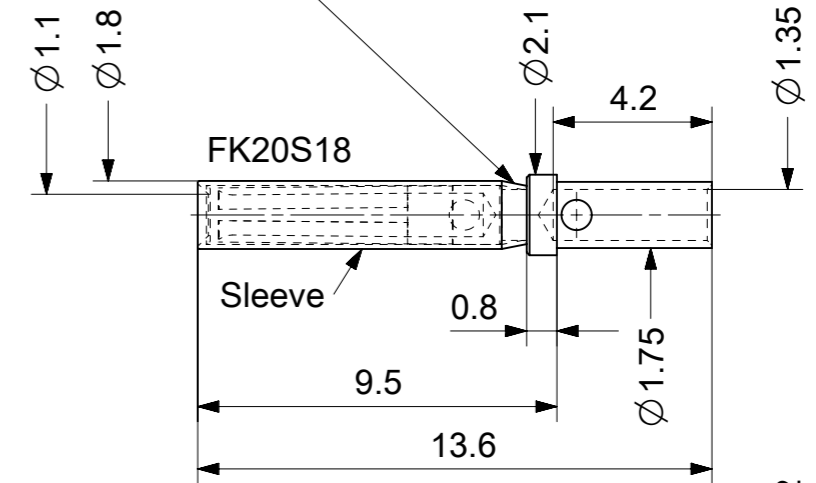


In the visible area the contact can be differ in the end of the sleeve

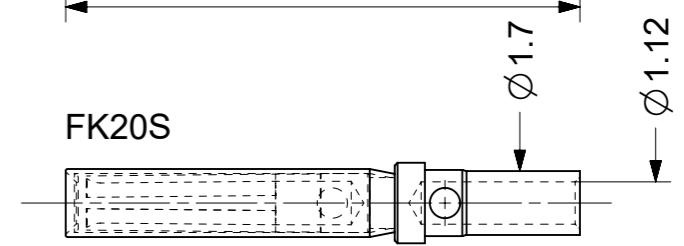
SOCKET

Material: Copper alloy with sleeve made of stainless steel

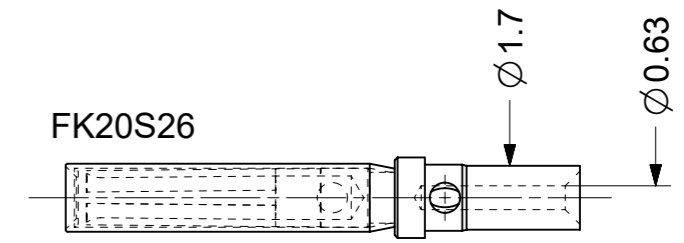
FK20S18



FK20S



FK20S26



FCT Part Number Example FK20SL-08V-5783

Crimp socket contact for wire size AWG 20-24.

Plating 0.8µm Au over Ni.

Packing see packaging specification.

RoHS compliant
by exemption

Availability on request, also nonmagnetic contacts.

Crimping Tools see catalogue.

Crimping Guideline see document: 2195600650

Packaging specification: 1731120004-PK

UNLESS OTHERWISE SPECIFIED DIMENSIONS FOR REFERENCE ONLY			REPLACEMENT FOR DOCUMENT NUMBER: FK20-XX					
FUNCTIONAL SYMBOLS	THIS DRAWING CONTAINS INFORMATION THAT IS PROPRIETARY TO MOLEX ELECTRONIC TECHNOLOGIES, LLC AND SHOULD NOT BE USED WITHOUT WRITTEN PERMISSION		CURRENT REV DESC:					
▽A = 0	mm	SCALE 5:1	<p>molex</p> <p>FCT FK20 MACHINED CONTACTS FOR CRIMP CONNECTORS</p> <p>PRODUCT CUSTOMER DRAWING</p>					
▽E = 0	GENERAL TOLERANCES (UNLESS SPECIFIED)					EC NO: 735728		
▽F = 0	ANGULAR TOL ± °					DRWN: MSTEINBRUECK 2023/01/16		
DIVISIONAL SYMBOLS	4 PLACES ±					CHK'D: MTEUBEL 2023/01/20		
	3 PLACES ±		APPR: MTEUBEL 2023/01/20					
	2 PLACES ±		INITIAL REVISION:					
	1 PLACE ±		DRWN: GOOLAM 2021/09/27					
	0 PLACES ±		APPR: MTEUBEL 2023/01/13					
DRAFT WHERE APPLICABLE MUST REMAIN WITHIN DIMENSIONS		FIRST ANGLE PROJECTION	DRAWING A3-SIZE	SERIES 173112	MATERIAL NUMBER SEE TABLE	CUSTOMER GENERAL MARKET		
DOCUMENT STATUS P1			RELEASE DATE 2023/01/20	08:14:33	DOCUMENT NUMBER 1731120203	DOC TYPE PSD		
					DOC PART 000	REVISION A1		
					SHEET NUMBER 2 OF 2			