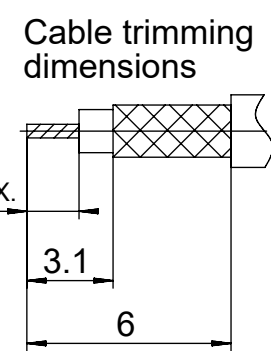
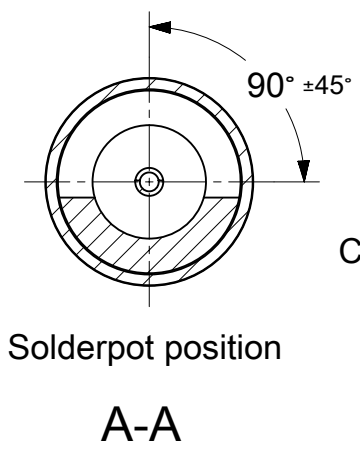
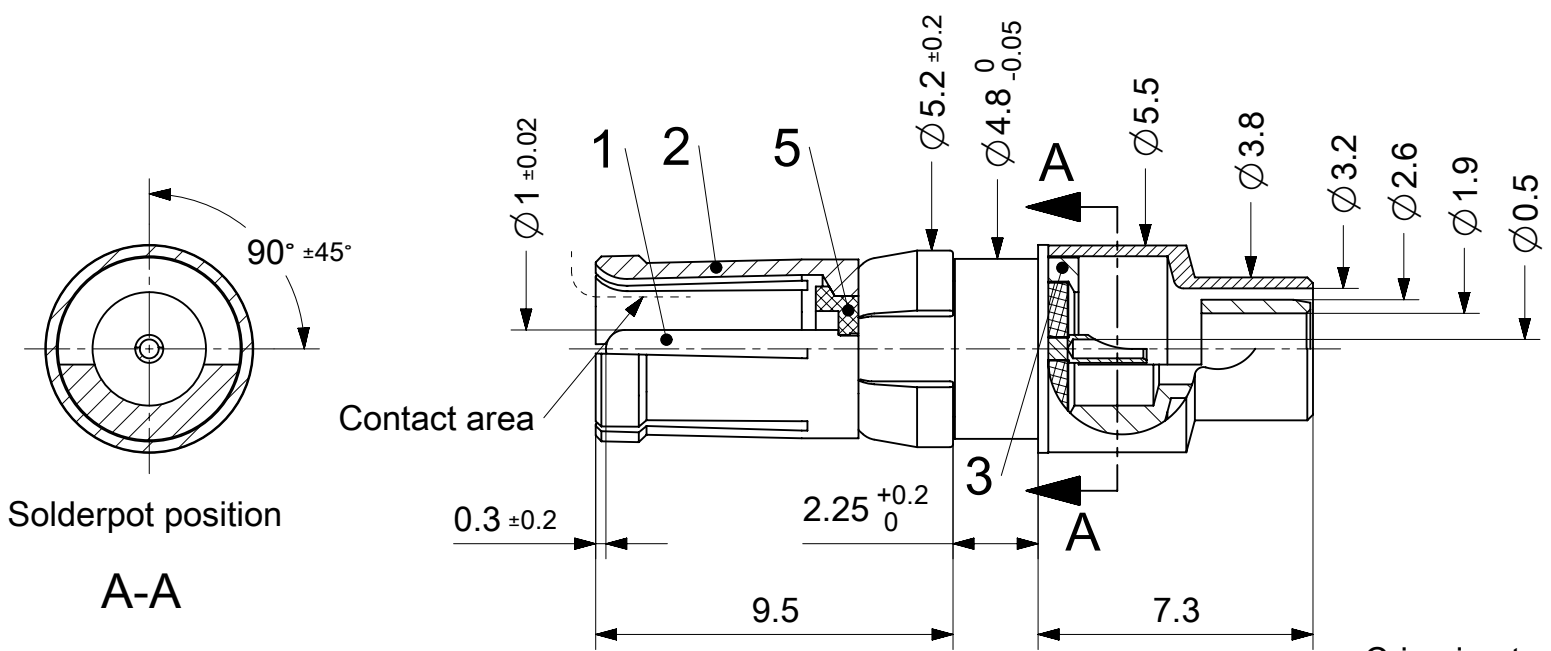


2:1

RoHS compliant  
by exemption

Crimping tools see document 2195600660  
Cable RG179BU, RG187AU

1731120932	FMX002S101	101
1731120171	FMX002S102	102
1731121063	FMX002S202	202
Material Number	FCT Part Number	Material + Finish See extra sheet



UNLESS OTHERWISE SPECIFIED DIMENSIONS FOR REFERENCE ONLY				REPLACEMENT FOR DOCUMENT NUMBER: FMX002S								
THIS DRAWING CONTAINS INFORMATION THAT IS PROPRIETARY TO MOLEX ELECTRONIC TECHNOLOGIES, LLC AND SHOULD NOT BE USED WITHOUT WRITTEN PERMISSION												
FUNCTIONAL SYMBOLS	DIMENSION UNITS	SCALE	CURRENT REV DESC:									
$\frac{F}{A} = 0$	mm	5:1	EC NO: 710219									
$\frac{F}{E} = 0$	GENERAL TOLERANCES (UNLESS SPECIFIED)		DRWN: VLOKESHA 2021/04/22									
$\frac{F}{P} = 0$	ANGULAR TOL $\pm$ °		CHK'D: MTEUBEL 2022/06/22									
DIVISIONAL SYMBOLS	4 PLACES	$\pm$	APPR: MTEUBEL 2022/06/22									
	3 PLACES	$\pm$	INITIAL REVISION:									
	2 PLACES	$\pm$	DRWN: VLOKESHA 2021/04/22									
	1 PLACE	$\pm$	APPR: MTEUBEL 2022/06/22									
	0 PLACES	$\pm$	DRAFT WHERE APPLICABLE MUST REMAIN WITHIN DIMENSIONS		FIRST ANGLE PROJECTION	DRAWING	SERIES	MATERIAL NUMBER	CUSTOMER	DOC TYPE	DOC PART	REVISION
						A4-SIZE	173112	SEE TABLE	GENERAL MARKET	PSD	000	A
			DOCUMENT NUMBER			1731120932						
			SHEET NUMBER			1 OF 1						

DOCUMENT STATUS	P1	RELEASE DATE	2022/06/22	10:22:36
-----------------	----	--------------	------------	----------