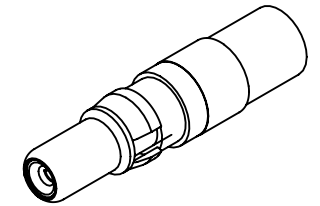
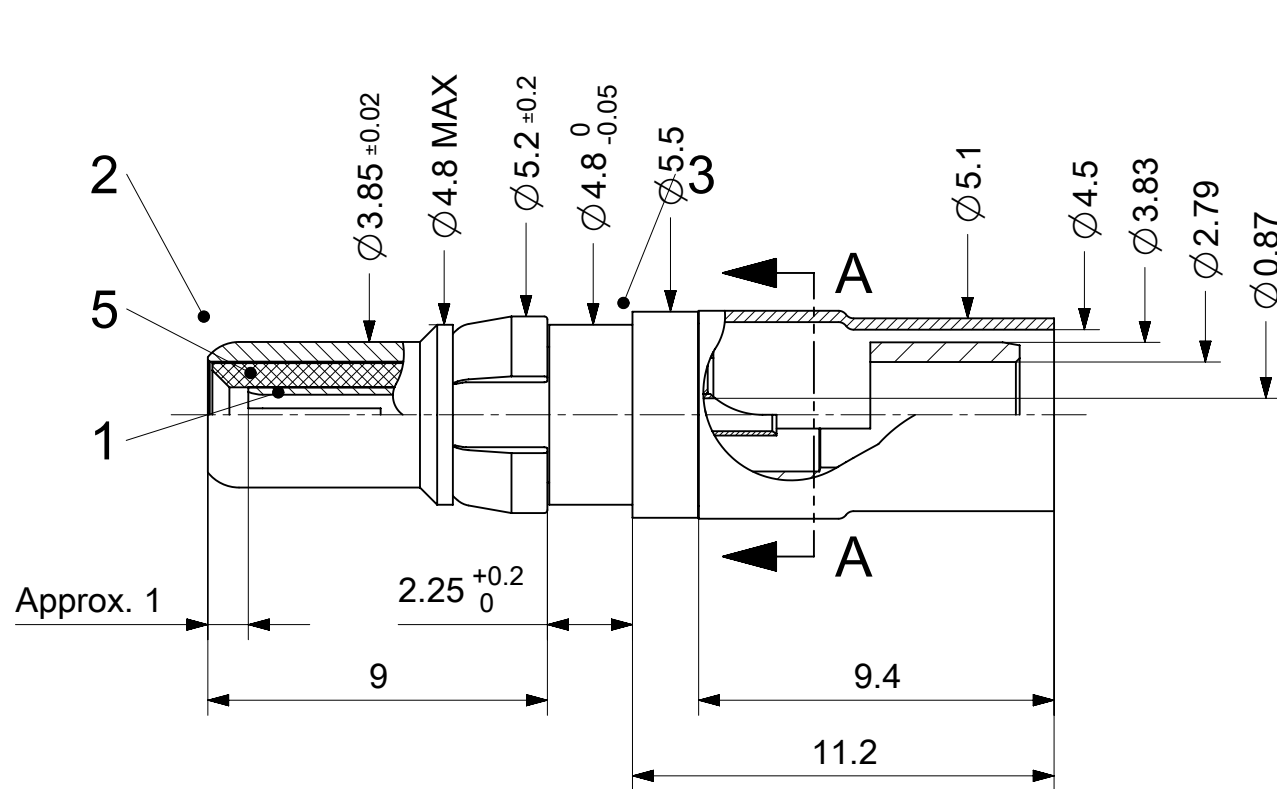


Solderpot position

A-A



2:1

RoHS compliant
by exemption

Customer cable

1731120164	FMX007P102	102
Material Number	FCT Part Number	Material + Finish See extra sheet

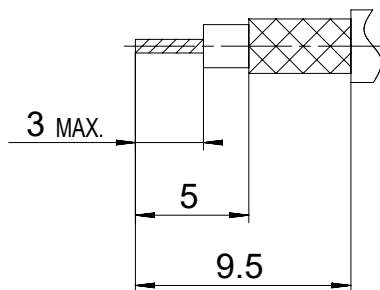
Crimping tools:
Crimping of outer conductor:

Hand tool: 1731121732
Die: 1731121735 cavity A

Pneumatic crimp tool: HX23
(replacement for PH4001)

Extraction tool: 1731121747

Cable trimming
dimensions



UNLESS OTHERWISE SPECIFIED DIMENSIONS FOR REFERENCE ONLY				REPLACEMENT FOR DOCUMENT NUMBER: FMX007P			
THIS DRAWING CONTAINS INFORMATION THAT IS PROPRIETARY TO MOLEX ELECTRONIC TECHNOLOGIES, LLC AND SHOULD NOT BE USED WITHOUT WRITTEN PERMISSION							
FUNCTIONAL SYMBOLS	DIMENSION UNITS	SCALE	CURRENT REV DESC:				
$\frac{F}{A} = 0$	mm	5:1	EC NO: 710219 DRWN: VLOKESHA 2021/04/23 CHK'D: MTEUBEL 2022/06/22 APPR: MTEUBEL 2022/06/22 INITIAL REVISION: DRWN: VLOKESHA 2021/04/23 APPR: MTEUBEL 2022/06/22				
$\frac{F}{E} = 0$	GENERAL TOLERANCES (UNLESS SPECIFIED)						
$\frac{F}{P} = 0$	ANGULAR TOL ± °						
DIVISIONAL SYMBOLS	4 PLACES ±	±					
	3 PLACES ±	±	DOCUMENT NUMBER				
	2 PLACES ±	±	1731120164				
	1 PLACE ±	±	DOC TYPE DOC PART REVISION				
	0 PLACES ±	±	PSD 000 A				
DRAFT WHERE APPLICABLE MUST REMAIN WITHIN DIMENSIONS		FIRST ANGLE PROJECTION	DRAWING	SERIES	MATERIAL NUMBER	CUSTOMER	SHEET NUMBER
			A4-SIZE	173112	SEE TABLE	GENERAL MARKET	1 OF 1

DOCUMENT STATUS	P1	RELEASE DATE	2022/06/22	10:22:26
-----------------	----	--------------	------------	----------